

PARTS CATALOG

VACUUM PUMPS

BRAKE COMPONENTS

FUEL PUMPS

FILTERS & GASKETS

DEICE COMPONENTS



Rapco, Inc.
445 Cardinal Lane
Hartland, WI 53029
262.367.2292 phone
262.367.7158 fax
www.rapcoinc.com

RAPCO,inc.
REPLACEMENT AIRCRAFT PARTS CO.



*For Reference Only. Please refer to individual
FAA-PMA Supplements for Installation Eligibility.*

INDEX

1 Pneumatics Application Guide & Accessories

- 2..... Type Certified Aircraft
- 13..... Kit Plane Vac Kits
- 14..... Dry Air Pump Cross for Kit and Experimental
- 14..... Pneumatics Cross Reference
- 16..... Dry Air Pump Rear End Identification Graphics
- 19..... Regulators
- 21..... Fittings
- 22..... Pump Wrench
- 23..... Vac Kit - Experimental

24 Deice Application Guide & Accessories

- 34..... Deice Cross Reference

36 Deice Components Identifier and Brush Minimum Wear & Alignment

- 37..... BFG Style Brush Modules Drawings
- 39..... McCauley Brush Clusters

41 General Aviation Brake Application Guide

- 42..... Type Certified Aircraft
- 56..... Kit Planes
- 57..... Experimental
- 57..... Floatplane
- 58..... McCauley & Cessna Brake Disc Comparison
- 61..... Brake Component Cross Reference
- 64..... PC-12 Brake Kit
- 65..... PC-12, Rivets, Mounting Pins, Shim Insulators, Pressure Plates
& Drive Keys
- 66..... Brake Lining Kits

68 Filters

70 Exhaust Gaskets

- 72..... Gasket Cross Reference

73 Fuel Pumps

- 75..... Airborne Application guide
- 81..... Dukes Application Guide
- 82..... Fuel Pump Cross Reference

85 Miscellaneous

- 85..... Tow Pin

86 Master Cross Reference

*For Reference Only. Please refer to individual
FAA-PMA Supplements for Installation
Eligibility.*

For printing of individual sheets, this
entire catalog is available online at
www.rapcoinc.com

RAPCO, Inc.
REPLACEMENT AIRCRAFT PARTS CO.

Rapco, Inc.
445 Cardinal Lane
Hartland, WI 53029
262.367.2292 phone
262.367.7158 fax
www.rapcoinc.com

Complete Pneumatics Application Guide

**New FAA-PMA Approved
Dry Air Pumps,
Filters, Regulators**

**FAA Approved Overhauled
Dry Air Pumps**



Section 1: Type Certified Aircraft

Section 2: Kit Plane Vacuum System Kit By RAPCO - Replacement Parts

Section 3: Dry Air Pump Cross Reference for Kit Plane and Experimental Aircraft Engines

Section 4: Beech Rudder Boost Filter

For reference only. For installation eligibility refer to the FAA-PMA Supplement.

Some aircraft models or particular serial numbers may have applications other than those listed in this guide.

Consult the appropriate aircraft parts catalogue, maintenance manual or equipment list when selecting a part for installation.

To convert an Airborne or Parker part number to RAPCO, on new dry air pumps add RAP to the beginning of the number, on other new Rapco products add RA.

RAPCO, inc.

REPLACEMENT AIRCRAFT PARTS CO.

445 Cardinal Lane

Hartland, Wisconsin 53029 USA

For a list of Distributors, please click on the document on the home screen or visit www.rapcoinc.com



PNEUMATICS APPLICATIONS

**New - Dry Air Pumps, Filters, Regulators and Manifold Check Valves
Overhauled - Dry Air Pumps**

FAA/EASA Approved Data with Dual Release on FAA Form 8130-3

This Application Guide is to be used for reference only.
When selecting a part for installation consult the appropriate aircraft maintenance manual, parts catalogue, or equipment list for optional installations.
To convert an Airborne or Parker part number to RAPCO, on new dry air pumps add RAP to the beginning of the number, on other new RAPCO products add RA.
Refer to the FAA-PMA Supplement for installation eligibility.

- Section 1: Type Certificated Aircraft
- Section 2: Kit Plane Vacuum System Kit By RAPCO - Replacement Parts
- Section 3: Dry Air Pump Application Guide for Kit Plane and Experimental Aircraft Engines
- Section 4: Beech Rudder Boost Filter

**Section 1:
Type Certificated Aircraft**

Aircraft Manufacturer Model / Serial Number / Option	Engine Manufacturer & Model	Dry Air Pump		Filters	Regulator	Check Valve
		New	Overhaul			
Aero Commander / Gulfstream / Rockwell / Twin Comander						
500	LYC O-540-A	RAP215CC	211CC	RA-B3-5-1		
500-A	TCM IO-470-M	RAP216CW	212CW	RA-B3-5-1		
500-B, -U	LYC IO-540-B, -E	RAP215CC	211CC	RA-B3-5-1		
500-S	LYC IO-540-E	RAP215CC	211CC			
520	LYC GO-435-C	RAP216CW	212CW			
700 Non Deice	LYC TIO-540-R			RA2J4-7, RA-D-9-14-5		
700 Deice	LYC TIO-540-R			RA2J4-7, RA-D-9-14-5		
Aeronca - see American Champion						
Aerospatial - see Socata						
Aerostar / Ted Smith Aerostar / Piper Aerostar						
360, 400	LYC O-360-D, -E	RAP215CC	211CC	RA2J4-4		
600 thru 701P - see Piper PA-60	LYC IO-540-G, -P	RAP241CC-13	241CC-13	RA-D-9-14-5, RA2J4-4		
PA-60-600, -601 Aerostar Non Deice						
PA-60-601P, PA-60-602P Non Deice	LYC IO-540-P, -A	RAP241CC-13	241CC-13	RA2J4-4, RA-D-9-14-5		
PA-60-601P, PA-60-602P Deice	LYC IO-540-P, -A	RAP441CC-17	441CC-17	RA2J4-4, RA-D-9-14-5		
PA-60-700P	LYC TIO-540-U	RAP441CC-17, Left	441CC-17	RA2J4-4, RA-D-9-14-5		
	LYC LTIO-540-U	RAP442CW-20, Right	442CW-20			
American Aviation / American General - see Grumman						
American Champion / Bellanca / Champion / Aeronca						
7AC	LYC O-235-C	RAP215CC	211CC			
7GC, 7HC	LYC O-290-D	RAP215CC	211CC			
7GCA, 7GCB, 7KC, 7GCBA, Citabria	LYC O-320-A	RAP215CC	211CC			
7ECA, Champ	TCM O-200-A	RAP215CC-9	211CC-9			
	LYC O-235-C	RAP215CC	211CC			
7GCAA, 7GCBC	LYC O-320-A, -C	RAP215CC	211CC			
	LYC O-235-C	RAP215CC	211CC			
7KCAB, 8KCAB, Decathalon	LYC IO-320-E	RAP215CC	211CC			
8GCBC, Scout	LYC O-360-C	RAP215CC	211CC			
Aviat						
A1C-160 Husky	LYC O-320-D2A	RAP215CC	211CC	RA1J7-1, RA-B3-5-1	RA2H3-23	
A1C-180 Husky	LYC O-320-A1P	RAP215CC	211CC	RA1J7-1, RA-B3-5-1	RA2H3-23	
A1C-200 Husky	LYC IO-360-A1D6	RAP215CC	211CC	RA1J7-1, RA-B3-5-1	RA2H3-23	
Beech / Beechcraft / Raytheon / Hawker Beechcraft / Textron						
19A, A23-19 Musketeer	LYC O-320-E	RAP215CC	211CC	RA-B3-5-1	RA2H3-2	
SN. MB1 - MB480						
SN. B19, MB481 - MB701	LYC O-320-E	RAP215CC	211CC	RA-B3-5-1	RA2H3-2	
SN. MB702 - MB865	LYC O-320-E	RAP215CC	211CC	RA-B3-5-1	RA2H3-12	
SN. M19A	LYC O-320-E	RAP215CC	211CC			
23 Musketeer SN. M1 - M554	LYC O-320-D	RAP215CC	211CC	RA-B3-5-1	RA2H3-2	
A23, A23A SN. M555 - M1094	TCM IO-346-A	RAP216CW	212CW	RA-B3-5-1	RA2H3-2	
A23-24 SN. MA1 - MA363	LYC IO-360-A	RAP215CC	211CC		RA2H3-2	
B23 SN. M1096 - M1284	LYC O-360-B	RAP215CC	211CC	RA-B3-5-1	RA2H3-2	
C23 Sundowner	LYC O-360-A	RAP215CC	211CC	RA-B3-5-1	RA2H3-2	
SN. M1285 - M1979 except M1971						
SN. M1971, M1980 - M2290 w/ Comf. Pk.	LYC O-360-A	RAP215CC	211CC	RA-B3-5-1	RA2H3-12	
SN. M197, M1980 - M2290 w/o Comf. Pk.	LYC O-360-A	RAP215CC	211CC	RA-B3-5-1	RA2H3-2	
SN. M2291 and up	LYC O-360-A	RAP215CC	211CC	RA-B3-5-1	RA2H3-12	
24 Sierra 200 SN. MA1 - MA363	LYC IO-360-A	RAP215CC	211CC	RA-B3-5-1		
A24 SN. MA364 - MA368	LYC IO-360-A	RAP215CC	211CC	RA-B3-5-1	RA2H3-2	
A24R SN. MC2 - MC150	LYC IO-360-A	RAP215CC	211CC	RA-B3-5-1	RA2H3-2	

All Airborne pumps available FAA Approved overhauled. For installation eligibility refer to FAA-PMA Supplement.
For reference only.



REPLACEMENT AIRCRAFT PARTS CO.

PNEUMATICS APPLICATIONS

Aircraft Manufacturer Model / Serial Number / Option	Engine Manufacturer & Model	Dry Air Pump		Filters	Regulator	Check Valve
		New	Overhaul			
B24R SN. MC151 - MC274	LYC IO-360-A	RAP215CC	211CC	RA-B3-5-1	RA2H3-2	
SN. MC275 - MC451 except MC449	LYC IO-360-A	RAP215CC	211CC	RA-B3-5-1	RA2H3-12	
C24R SN. MC449	LYC IO-360-A	RAP215CC	211CC	RA-B3-5-1	RA2H3-12	
SN. MC452 - MC536 except MC533	LYC IO-360-A	RAP215CC	211CC	RA-B3-5-1	RA2H3-12	
SN. MC533, MC537 - MC739 w/ Comf. Pk.	LYC IO-360-A	RAP215CC	211CC	RA-B3-5-1	RA2H3-12	
SN. MC533, MC537 - MC739 w/o Comf.Pk	LYC IO-360-A	RAP215CC	211CC	RA-B3-5-1	RA2H3-2	
SN. MC740 and up	LYC IO-360-A	RAP215CC	211CC	RA-B3-5-1	RA2H3-12	
Debonair						
35-33, 35-A33 w/ Conversion Kit	TCM IO-470-J	RAP216CW	212CW			
35-B33 w/ Conversion Kit	TCM IO-470-K	RAP216CW	212CW			
35-C33 SN. CD826 - CD1118 and SN. CE1 - CE179 except CD982 w/ Conv.	TCM IO-470-K	RAP216CW	212CW		RA2H3-2	
35-C33A SN. CD826 - CD1118 and SN. CE1 - CE179 except CD982 w/ Conversion Kit	TCM IO-520-B, -BA	RAP216CW RAP242CW	212CW 242CW		RA2H3-2	
E33 Bonanza SN. CD1119 - CD1234, CE180 - CE289	TCM IO-470-K, IO-550	RAP216CW	212CW	RA-B3-5-1		
E33A SN. CD1119 - CD1234, CE180 - CE289	TCM IO-520-B	RAP216CW RAP242CW	212CW 242CW			
E33C	TCM IO-520-B, -BA, -BB	RAP216CW RAP242CW	212CW 242CW			
F33 SN. CD1244 - 1254	TCM IO-470-K, IO-550	RAP216CW	212CW	RA2J4-7, RA-D-9-14-5		
F33A SN. CE290 - CE297	TCM IO-520-B, -BA, -BB, IO-550	RAP242CW RAP442CW	242CW 442CW	RA-D-9-14-5		
SN. CE298 - CE631	TCM IO-520-B, -BA, -BB, IO-550	RAP242CW RAP442CW	242CW 442CW	RA2J4-7, RA-D-9-14-5		
SN. CE632 - CE1439, CE1441 - CE1456	TCM IO-520-B, -BA, -BB, IO-550	RAP216CW RAP442CW	212CW 442CW	RA2J4-7, RA-D-9-14-5		
SN. CE1441 - CE1456	TCM IO-520-B, -BA, -BB, IO-550	RAP216CW RAP442CW	212CW 442CW	RA2J4-7, RA-D-9-14-5		
SN. CE1440, CE1457 and up	TCM IO-520-B, -BA, -BB, IO-550	RAP216CW	212CW	RA2J4-7, RA-D-9-14-5		
SN. CE1056 - CE1439, CE1441 - CE1456 w/ Standby System	TCM IO-520-B, -BA, -BB, IO-550	RAP216CW	212CW	RA2J4-7, RA-D-9-14-5		
SN. CE1440, CE1457 and up w/ Standby	TCM IO-520-B, -BA, -BB, IO-550	RAP216CW	212CW	RA2J4-7, RA-D-9-14-5		
F33C SN. CJ26 - CJ128	TCM IO-520-B, -BA, -BB, IO-550	RAP242CW RAP442CW	242CW 442CW	RA2J4-7, RA-D-9-14-5		
SN. CJ129 - CJ179	TCM IO-520-B, -BA, -BB, IO-550	RAP216CW RAP442CW	212CW 442CW	RA2J4-7, RA-D-9-14-5		
SN. CJ180 and up	TCM IO-520-B, -BA, -BB, IO-550	RAP216CW	212CW	RA2J4-7, RA-D-9-14-5		
SN. CJ156 - CJ179 w/ Standby System	TCM IO-520-B, -BA, -BB, IO-550	RAP216CW	212CW	RA2J4-7, RA-D-9-14-5		
SN. CJ180 and up w/ Standby System	TCM IO-520-B, -BA, -BB, IO-550	RAP216CW	212CW	RA2J4-7, RA-D-9-14-5		
G33 SN. CD1255 - CD1304	TCM IO-470-N, IO-550	RAP216CW	212CW	RA2J4-7, RA-D-9-14-5		
35-33 Debonair - See above						
35, A35 Bonanza w/ Conversion Kit	TCM E-185-1, IO-550	RAP216CW	212CW			
B35, 35R Bonanza w/ Conversion Kit	TCM E-185-8, IO-550	RAP216CW	212CW			
C35, D35, E35, F35 Bonanza w/ Conv.	TCM E-185-11, IO-550	RAP216CW	212CW			
G35 Bonanza w/ Conversion Kit	TCM E-225-8, IO-550	RAP216CW	212CW			
H35 Bonanza w/ Conversion Kit	TCM O-470-G, IO-550	RAP216CW	212CW			
J35, K35, M35 Bonanza w/ Conv. Kit	TCM IO-470-C, IO-550	RAP216CW	212CW			
N35, P35 Bonanza w/ Conversion Kit	TCM IO-470-N, IO-550	RAP216CW	212CW			
S35 Bonanza w/ Conversion Kit	TCM IO-520-B, -BA, IO-550	RAP216CW	212CW 242CW			
SN. D7310 - D7628	TCM IO-520-B, -BA, IO-550	RAP216CW	212CW	RA-B3-5-1	RA2H3-2	
SN. D7629 - D7749	TCM IO-520-B, -BA, IO-550	RAP216CW	212CW	RA-B3-5-1	RA2H3-12	
SN. D7750 - D7976	TCM IO-520-B, -BA, IO-550	RAP216CW	212CW			
V35 Bonanza	TCM IO-520-B, -BA, IO-550	RAP216CW	212CW 242CW			
V35A SN. D7977 - D8598	TCM IO-520-B, -BA, -BB, IO-550	RAP216CW	212CW	RA-B3-5-1	RA2H3-2	
SN. D8599 - D9068	TCM IO-520-B, -BA, -BB, IO-550	RAP216CW	212CW	RA-B3-5-1		
V35A-TC SN. D7977 - D8598	TCM TSIO-520	RAP216CW	212CW	RA-B3-5-1		
SN. D8599 - D9068	TCM TSIO-520	RAP216CW	212CW	RA-B3-5-1		
V35B SN. D9069 - D9855	TCM IO-520-B, -BA, -BB, IO-550	RAP242CW	242CW	RA-D-9-14-5		
SN. D9856 and up	TCM IO-520-B, -BA, -BB, IO-550	RAP216CW RAP442CW	212CW 442CW	RA2J4-7, RA-D-9-14-5		
V35B-TC SN. D9069 - D9855	TCM TSIO-520	RAP216CW	242CW	RA2J4-7, RA-D-9-14-5		
SN. D9856 and up	TCM TSIO-520	RAP216CW	212CW 442CW	RA2J4-7, RA-D-9-14-5		
Option						
36, A36 Bonanza						
SN. E1 - E183	TCM IO-520-B, -BA, -BB, IO-550	RAP216CW RAP242CW	212CW 242CW	RA-B3-5-1		
SN. E184	TCM IO-520-B, -BA, -BB, IO-550	RAP242CW RAP442CW	242CW 442CW	RA2J4-7, RA-B3-5-1		
SN. E185 - E196	TCM IO-520-B, -BA, -BB, IO-550	RAP216CW RAP242CW	212CW 242CW	RA-B3-5-1		
SN. E197, E203 - E451	TCM IO-520-B, -BA, -BB, IO-550	RAP242CW RAP442CW	242CW 442CW	RA2J4-7, RA-B3-5-1		
SN. E452 - E813	TCM IO-520-B, -BA, -BB, IO-550	RAP242CW RAP442CW	242CW 442CW	RA2J4-7, RA-D-9-14-5		
SN. E814 - E2531 except E2524	TCM IO-520-B, -BA, -BB, IO-550	RAP216CW	212CW	RA2J4-7, RA-D-9-14-5		
SN. E2524, E2532 and up	TCM IO-520-B, -BA, -BB, IO-550	RAP216CW	212CW	RA2J4-7, RA-D-9-14-5		

All Airborne pumps available FAA Approved overhauled. For installation eligibility refer to FAA-PMA Supplement. For reference only.



REPLACEMENT AIRCRAFT PARTS CO.

PNEUMATICS APPLICATIONS

Aircraft Manufacturer Model / Serial Number / Option	Engine Manufacturer & Model	Dry Air Pump		Filters	Regulator	Check Valve
		New	Overhaul			
SN. E2180 and up Standby System	TCM IO-520-B, -BA, -BB, IO-550	RAP216CW	212CW	RA2J4-7, RA-D-9-14-5		
A36TC, B36TC, Bonanza	TCM TSIO-520-U, -UB, IO-550	RAP216CW	212CW	RA2J4-7, RA-D-9-14-5		
SN. EA442 - EA502 and EA504 Standby						
SN. EA503, EA505 and up W/ Standby Sys.	TCM TSIO-520-U, -UB, IO-550	RAP216CW	212CW	RA2J4-7, RA-D-9-14-5		
45 (YT-34) Mentor	TCM E-225-8	RAP216CW	212CW			
A45 (T-34A)	TCM O-470	RAP216CW	212CW			
B-45, D45 (T-34B)	TCM O-470	RAP216CW	212CW			
50, B50 Twin Bonanza	LYC GO-435-C	RAP216CW	212CW			
G50, H50 Twin Bonanza	LYC IGSO-480-A	RAP442CW	442CW			
55, 56, 58 Baron - See Below						
65-B80 Queen Air Non Deice	LYC IGSO-540-A	RAP441CC-9	441CC-9	RA2J4-6, RA-D-9-14-5		
SN. LD362 and up						
A65 Queen Air Non Deice	LYC IGSO-480-A	RAP442CW	442CW	RA-B3-5-1		
SN. LC240 - LC270						
SN. LC271 and up	LYC IGSO-480-A	RAP442CW	442CW	RA2J4-7, RA-D-9-14-5		
A65 Queen Air Deice	LYC IGSO-480-A	RAP442CW	442CW	RA2J4-7, RA-D-9-14-5		
SN. LC271 and up						
70 Queen Air	LYC IGSO-480-A	RAP442CW	442CW	RA2J4-6, RA-D-9-14-5		
95, B95 Travel Air	LYC O-360-A	RAP215CC	211CC			
B95A Travel Air	LYC IO-360-B	RAP215CC	211CC			
D95A Travel Air SN. TD534 - TD622	LYC IO-360-B				RA2H3-2	
SN. TD623 - TD707	LYC IO-360-B				RA2H3-6	
E95 Travel Air Non Deice SN. TD708 up	LYC IO-360-B	RAP215CC	211CC			
E95 Travel Air Deice SN. TD708 and up	LYC IO-360-B	RAP441CC	441CC			
95-55 Baron	TCM IO-470-L	RAP216CW	212CW			
		RAP442CW	442CW			
95-A55 Baron	TCM IO-470-L	RAP216CW	212CW			
		RAP442CW	442CW			
95-B55 Baron Non Deice	TCM IO-470-L		442CW-14		RA2H3-6	
SN. TC1608 - TC2002			442CW			
SN. TC2003 - TC2075	TCM IO-470-L	RAP216CW	212CW	RA2J4-7, RA-D-9-14-5		
		RAP442CW-12	442CW-12			
SN. TC2076 and up	TCM IO-470-L	RAP216CW	212CW	RA2J4-7, RA-D-9-14-5		
		RAP442CW-14	442CW-14			
95-B55 Baron Deice SN. TC2003 and up	TCM IO-470-L	RAP442CW-14	442CW-14	RA2J4-7, RA-B3-5-1		
			442CW			
95-C55	TCM IO-520-C	RAP242CW	242CW	RA-B3-5-1		
		RAP442CW-12	442CW-12			
95-C55A	TCM IO-520-C	RAP242CW	242CW			
		RAP442CW-12	442CW-12			
D55 Non Deice SN. TE452 - TE767	TCM IO-520-C, -CB	RAP242CW	242CW	RA2J4-7, RA-B3-5-1		
		RAP442CW-12	442CW-12			
D55 Deice SN. TE452 - TE767	TCM IO-520-C, -CB	RAP442CW-12	442CW-12	RA2J4-7, RA-D-9-14-5		
D55A Non Deice	TCM IO-520-C, -CB	RAP216CW	212CW			
		RAP242CW	242CW			
D55A Deice	TCM IO-520-C, -CB	RAP442CW-12	442CW-12			
E55 Non Deice SN. TE768 - TE936	TCM IO-520-C, -CB	RAP242CW	242CW	RA2J4-7, RA-B3-5-1		
		RAP442CW-12	442CW-12			
SN. TE937, TE939 - TE942	TCM IO-520-C, -CB	RAP242CW	242CW	RA2J4-7, RA-D-9-14-5		
		RAP442CW-12	442CW-12			
SN. TE938, TE943 - TE1113	TCM IO-520-C, -CB	RAP242CW	242CW	RA2J4-7, RA-D-9-14-5		
SN. TE1114 and up	TCM IO-520-C, -CB	RAP442CW-14	442CW-14	RA2J4-7, RA-D-9-14-5		
E55 Deice	TCM IO-520-C, -CB	RAP442CW-12	442CW-12	RA2J4-7, RA-D-9-14-5		
SN. TE768 - TE942 except TE938						
SN. TE938, TE943 - TE1074	TCM IO-520-C, -CB	RAP442CW-14	442CW-14	RA2J4-7, RA-D-9-14-5		
SN. TE1075 and up	TCM IO-520-C, -CB	RAP442CW-14	442CW-14	RA2J4-7, RA-D-9-14-5		
55A Non Deice	TCM IO-520-C, -CB	RAP216CW	212CW			
		RAP242CW	242CW			
55A Deice	TCM IO-520-C, -CB	RAP442CW-12	442CW-12			
56TC Baron Non Deice SN. TG1 - TG51	LYC TIO-541-E	RAP242CW	242CW	RA-B3-5-1	RA2H3-6	
SN. TG52 - TG74	LYC TIO-541-E	RAP242CW	242CW	RA2J4-6, RA-B3-5-1		
SN. TG75 - TG83	LYC TIO-541-E	RAP242CW	242CW	RA2J4-6, RA-B3-5-1		
SN. TG84 - TG94	LYC TIO-541-E	RAP442CW	442CW	RA2J4-6, RA-B3-5-1		
56TC Baron Deice SN. TG52 - TG74	LYC TIO-541-E	RAP442CW	442CW	RA2J4-6, RA-B3-5-1		
58 Baron Non Deice SN. TH1 - TH177	TCM IO-520-C	RAP242CW	242CW	RA2J4-7, RA-D-9-14-5		
SN. TH178 - TH186	TCM IO-520-C	RAP242CW	242CW	RA2J4-7, RA-D-9-14-5		
SN. TH187 - TH873	TCM IO-520-C	RAP242CW	242CW	RA2J4-7, RA-D-9-14-5		
SN. TH874 and up	TCM IO-520-C	RAP216CW	212CW	RA2J4-7, RA-D-9-14-5		
58 Baron Deice SN. TH1 - TH177	TCM IO-520-C	RAP442CW-14	442CW-14	RA2J4-7, RA-D-9-14-5		
	TCM IO-520-C	RAP442CW-12	442CW-12	RA2J4-7, RA-D-9-14-5		
SN. TH178 - TH186	TCM IO-520-C	RAP442CW-14	442CW-14	RA2J4-7, RA-D-9-14-5		
	TCM IO-520-C	RAP442CW-12	442CW-12	RA2J4-7, RA-D-9-14-5		
SN. TH187 - TH851 except TH792	TCM IO-520-C	RAP442CW-14	442CW-14	RA2J4-7, RA-D-9-14-5		
	TCM IO-520-C	RAP442CW-12	442CW-12	RA2J4-7, RA-D-9-14-5		
SN. TH792, TH852 and up	TCM IO-520-C	RAP442CW-14	442CW-14	RA2J4-7, RA-D-9-14-5		
	TCM IO-520-C	RAP442CW-12	442CW-12	RA2J4-7, RA-D-9-14-5		
58P Baron Non Deice SN. TJ3 - TJ4	TCM TSIO-520-L, -LB	RAP242CW-4	242CW-4	RA2J4-7		
SN. TJ5 - TJ84	TCM TSIO-520-L, -LB	RAP242CW-4	242CW-4	RA2J4-7		
SN. J85 - TJ97 except TJ86	TCM TSIO-520-L, -LB	RAP242CW-4	242CW-4	RA2J4-7		
SN. TJ86, TJ98 - TJ122	TCM TSIO-520-L, -LB	RAP242CW-4	242CW-4	RA2J4-7		

All Airborne pumps available FAA Approved overhauled. For installation eligibility refer to FAA-PMA Supplement. For reference only.



REPLACEMENT AIRCRAFT PARTS CO.

PNEUMATICS APPLICATIONS

Aircraft Manufacturer Model / Serial Number / Option	Engine Manufacturer & Model	Dry Air Pump		Filters	Regulator	Check Valve
		New	Overhaul			
SN. TJ123 - TJ543 except TJ436	TCM TSIO-520-L, -LB	RAP242CW-4	242CW-4	RA2J4-7		
SN. TJ436, TJ444 and up	TCM TSIO-520-L, -LB	RAP242CW-4	242CW-4	RA2J4-7		
58P Baron Deice SN. TJ3 - TJ4	TCM TSIO-520-L, -LB	RAP442CW-4	442CW-4	RA2J4-7		
SN. TJ5 - TJ84	TCM TSIO-520-L, -LB	RAP442CW-4	442CW-4	RA2J4-7		
SN. TJ85 - TJ97 except TJ86	TCM TSIO-520-L, -LB	RAP442CW-4	442CW-4	RA2J4-7		
SN. TJ86, TJ316	TCM TSIO-520-L, -LB	RAP442CW-4	442CW-4	RA2J4-7		
SN. TJ317 - TJ443 except TJ436	TCM TSIO-520-L, -LB	RAP442CW-4	442CW-4	RA2J4-7		
SN. TJ436, TJ444 and up	TCM TSIO-520-L, -LB	RAP442CW-4	442CW-4	RA2J4-7		
58TC Baron Non Deice SN. TK1 - TK56	TCM TSIO-520-L, -LB	RAP242CW-4	242CW-4	RA2J4-7, RA-D-9-14-5		
SN. TK57 - TK150 except TK147	TCM TSIO-520-L, -LB	RAP242CW-4	242CW-4	RA2J4-7, RA-D-9-14-5		
58TC Baron Deice SN. TK1 - TK56	TCM TSIO-520-L, -LB	RAP442CW-4	442CW-4	RA2J4-7, RA-D-9-14-5		
SN. TK57 - TK150 except TK147	TCM TSIO-520-L, -LB	RAP442CW-4	442CW-4	RA2J4-7, RA-D-9-14-5		
60, A60 Duke Non Deice w/o Auto Pilot SN. P4 - P69	LYC TIO-541-E	RAP242CW	242CW	RA-B3-5-1		
SN. P70 - P246	LYC TIO-541-E	RAP242CW	242CW	RA-B3-5-1		
60, A60 Duke Non Deice w/ Auto Pilot SN. P4 - P69	LYC TIO-541-E	RAP242CW	242CW	RA-B3-5-1		
SN. P70 - P246	LYC TIO-541-E	RAP242CW	242CW	RA-B3-5-1		
A60 Duke Deice SN. P4 - P69	LYC TIO-541-E	RAP442CW	442CW	RA-B3-5-1		
SN. P70 - P246	LYC TIO-541-E	RAP442CW	442CW	RA-B3-5-1		
B60 Duke Non Deice SN. P247 - P508 Single Instrument	LYC TIO-541-E	RAP242CW	242CW	RA2J4-7, RA-D-9-14-5		
SN. P247 - P508 Dual Instrument	LYC TIO-541-E	RAP442CW	442CW	RA2J4-7, RA-D-9-14-5		
SN. P509 and up Single Instrument	LYC TIO-541-E	RAP242CW	242CW	RA2J4-7, RA-D-9-14-5		
SN. P509 and up Dual Instrument	LYC TIO-541-E	RAP442CW	442CW	RA2J4-7, RA-D-9-14-5		
B60 Duke Deice SN. P247 - P307 Single Instrument	LYC TIO-541-E	RAP442CW	442CW	RA2J4-7, RA-D-9-14-5		
SN. P308 - P378 Dual Instrument	LYC TIO-541-E	RAP442CW	442CW	RA2J4-7, RA-D-9-14-5		
SN. P379 - P508	LYC TIO-541-E	RAP242CW	242CW	RA2J4-7, RA-D-9-14-5		
SN. P509 and up	LYC TIO-541-E	RAP442CW	442CW	RA2J4-7, RA-D-9-14-5		
A65 Queen Air SN. 271 and up	LYC IGSO-480-A	RAP442CW	442CW	RA2J4-7		
65-B80 Queen Air	LYC IGSO-480-A	RAP442CW	442CW	RA2J4-7, RA-D-9-14-3		
70 Queen Air	LYC IGSO-480-A	RAP442CW	442CW	RA2J4-7, RA-D-9-14-3		
76 Duchess	LYC O-360-A LYC LO-360-A	RAP215CC, Left RAP216CW, Right	211CC 212CW	RA2J4-7, RA-D-9-14-3		
77 Skipper	LYC O-235-L2C	RAP215CC	211CC	RA-B3-5-1, RA2J4-4, -7		
90 King Air SN. LJ1 - LJ113	PW PT-6			RA-B3-5-1		
A90 King Air SN. LJ141 - LJ317	PW PT-6					
B90 King Air SN. LJ318 - LJ501	PW PT-6			RA-B3-5-1	RA2H3-11	
C90A, C90DT, C90GTI, Rudder Boost Filter - also see section 4:				RA101-524009-0163		
C90 King Air SN. LJ502 and up	PW PT-6			RA-B3-5-1	RA2H3-11, -15	
C90A King Air SN. LJ1063 and up	PW PT-6			RA-B3-5-1	RA2H3-11, -15	
C90GT King Air	PW PT-6				RA2H3-11, -15	
C90GTI King Air	PW PT-6				RA2H3-15	
E90 King Air SN. LW1 and up	PW PT-6			RA-B3-5-1	RA2H3-11, -15	
F90 SN. LA2 - LA204 except LA186, SN. LA200 - LA202	PW PT-6 PW PT-6			RA-B3-5-1 RA-B3-5-1	RA2H3-11, -15 RA2H3-11, -15	
95 Series Travel Air - see above	PW PT-6					
100 King Air Deice B2 - B89 and B93	PW PT-6			RA-B3-5-1	RA2H3-11	
SN. B1, B90 - B234 except B93	PW PT-6			RA-B3-5-1	RA2H3-11, -15	
SN. B235 and up	PW PT-6			RA-B3-5-1	RA2H3-15	
SN. BE1 and up	PW PT-6			RA-B3-5-1	RA2H3-15	
A100-1 Rudder Boost Filter - also see section 4:				RA101-524009-0163		
B100 King Air	PW PT-6				RA2H3-15	
200, 200C, 200CT, 200T, Rudder Boost Filter - also see section 4:				RA101-524009-0163		
200, B200 Super King Air Deice	PW PT-6					
SN. BB-2 thru BB-1265	PW PT-6			RA-B3-5-1	RA2H3-11, -15	
200C, B200C Super King Air Deice	PW PT-6					
SN. BL-1 thru BL-72	PW PT-6			RA-B3-5-1	RA2H3-11, -15	
200CT, B200CT Super King Air Deice	PW PT-6					
SN. BL-1 thru BL-4	PW PT-6			RA-B3-5-1	RA2H3-11, -15	
200T, B200T Super King Air Deice	PW PT-6					
SN. BL-1 thru BL-30 except BT-28	PW PT-6			RA-B3-5-1	RA2H3-11, -15	
A200, A200C, A200CT, Rudder Boost Filter - also see section 4:				RA101-524009-0163		
B200, B200C, B200CT, B200T, B200GT, B200CGT, Rudder Boost Filter - also see section 4:				RA101-524009-0163		
B200GT	PW PT-6				RA2H3-15	
300, 300LW, B300, B300C	PW PT-6				RA2H3-15	
1900, 1900C, 1900D	PW PT-6				RA2H3-15	
Bellanca - also see American Champion						
14-19	LYC O-435-A	RAP215CC	211CC	RA-B3-5-1		
14-19-2	TCM O-470-D	RAP216CW	212CW			
14-19-3	TCM O-470-F	RAP216CW	212CW	RA-B3-5-1		
14-19-3A	TCM O-470-F	RAP216CW	212CW	RA-B3-5-1	RA2H3-2	
17-30 Viking	TCM IO-520-D	RAP216CW	212CW	RA-B3-5-1	RA2H3-2	
17-30A Super Viking	TCM IO-520-K	RAP216CW	212CW	RA-B3-5-1	RA2H3-12	
17-31, 17-31TC	LYC IO-540-G	RAP215CC RAP441CC-7	211CC 441CC-7	RA-B3-5-1	RA2H3-12	
17-31A, 17-31 ATC	LYC IO-540-G	RAP215CC	211CC	RA-B3-5-1	RA2H3-12	
17-31A, 17-31 ATC, cont.		RAP441CC-7	441CC-7			

All Airborne pumps available FAA Approved overhauled. For installation eligibility refer to FAA-PMA Supplement. For reference only.



REPLACEMENT AIRCRAFT PARTS CO.

PNEUMATICS APPLICATIONS

Britten Norman / Pilatus Britten Norman						
BN-2A Islander	LYC O-540-E, IO-540-K		212CW	RA-D9-18-1, RA1J7-1	RA2H3-2	RA1H5-1
Deice	LYC O-540-E, IO-540-K	RAP442CW	442CW	RA-D9-18-1, RA1J7-1		
BN2A MK, III, III-2, BKN2A MK, III-3					RA2H3-2	
Cessna						
120, 140 with Lycoming	LYC O-235	RAP215CC	211CC			
150, 150A, B, C w/ Conversion Kit	TCM O-200-A	RAP215CC-9	211CC-9	RA-B3-5-1		
150 SN. 15060088 - 15060772	TCM O-200-A	RAP215CC-9	211CC-9	RA-B3-5-1	RA2H3-2	
SN. 15069309 - 15078505	TCM O-200-A	RAP215CC-9	211CC-9	RA-B3-5-1, RA-D-9-14-5	RA2H3-12	
A150K Aerobat A1500001 - A15000226	TCM O-200-A	RAP215CC-9	211CC-9	RA-B3-5-1, RA-D-9-14-5	RA2H3-12	
SN. A1500227 - A1500480	TCM O-200-A	RAP215CC-9	211CC-9	RA-B3-5-1, RA-D-9-14-5	RA2H3-12	
A150L A1500227 - A1500480	TCM O-200-A	RAP215CC-9	211CC-9	RA-B3-5-1, RA-D-9-14-5	RA2H3-12	
SN. A1500481 - A1500523	TCM O-200-A	RAP215CC-9	211CC-9	RA-B3-5-1	RA2H3-12	
A150M SN. A1500524 - A1500685	TCM O-200-A	RAP215CC-9	211CC-9	RA-B3-5-1	RA2H3-12	
F150K, Reims F15000530 - F15000658	TCM O-200-A	RAP215CC-9	211CC-9	RA-B3-5-1, RA-D-9-14-5	RA2H3-12	
F150L SN. F15000659 - F15001143	TCM O-200-A	RAP215CC-9	211CC-9	RA-B3-5-1, RA-D-9-14-5	RA2H3-12	
F150M SN. F15001144 - F15001189	TCM O-200-A	RAP215CC-9	211CC-9	RA-B3-5-1, RA-D-9-14-5	RA2H3-12	
SN. F15001190 - F15001339	TCM O-200-A	RAP215CC-9	211CC-9	RA-B3-5-1	RA2H3-12	
FA150K SN. FA1500001 - FA1500081	TCM O-200-A	RAP215CC-9	211CC-9	RA-B3-5-1, RA-D-9-14-5	RA2H3-12	
FA150L SN. FA1500082 - FA1500261	TCM O-200-A	RAP215CC-9	211CC-9	RA-B3-5-1, RA-D-9-14-5	RA2H3-12	
FA150M SN. FA1500262 - FA1500271	TCM O-200-A	RAP215CC-9	211CC-9	RA-B3-5-1, RA-D-9-14-5	RA2H3-12	
SN. FA1500272 - FA1500312	TCM O-200-A	RAP215CC-9	211CC-9	RA-B3-5-1	RA2H3-12	
152 SN. 15279404 and up	LYC O-235	RAP215CC	211CC	RA-B3-5-1, RA-D-9-18-1	RA2H3-12	
152 w/ Elec. Stdb. SN. 15285940 and up	LYC O-235	RAP215CC, Primary RAP216CW, Standby	211CC 212CW	RA-B3-5-1, RA-D-9-18-1	RA2H3-12 RA2H3-12	
A152 Aerobat SN. A1520735 and up	LYC O-235	RAP215CC	211CC	RA-B3-5-1, RA-D9-18-1	RA2H3-12	
A152 w/ Elec. Stdb. SN. A1521028 & up	LYC O-235	RAP215CC, Primary RAP216CW, Standby	211CC 212CW	RA-B3-5-1, RA-D-9-18-1	RA2H3-12 RA2H3-23	
F152 Reims F150201429 - F15201808	LYC O-235	RAP215CC	211CC	RA-B3-5-1, RA-D9-18-1	RA2H3-12	
FA152 SN. FA1520337 and up	LYC O-235	RAP215CC	211CW	RA-B3-5-1, RA-D9-18-1	RA2H3-12	
170B w/ Pully Pump Mod. 25373 and up	TCM O-300-A		212CW-6			
172 with Pully Driven Pump Mod.	TCM O-300-A, -B		212CW-6	RA-B3-5-1	RA2H3-2	
172A thru H with Pully Driven Vac Pump	TCM O-300-C		212CW-6			
172A	TCM O-300-D	RAP215CC	211CC			
172B, C Skyhawk	TCM O-300-D	RAP215CC	211CC			
172D, E	TCM O-300-D	RAP215CC	211CC			
172F, G, H SN. 17251823 - 17256512	TCM O-300-D	RAP215CC	211CC			
172 I thru P SN. 17256513 - 17257164	LYC O-320-E	RAP215CC	211CC	RA-B3-5-1, RA-D-9-14-5		
SN. 17257165 - 17259760	LYC O-320-E	RAP215CC-9	211CC-9	RA-B3-5-1, RA-D-9-14-5	RA2H3-12	
SN. 17259761 - 17262866	LYC O-320-E, H	RAP215CC	211CC	RA-B3-5-1, RA-D-9-14-5	RA2H3-12	
SN. 17262867 - 17265684	LYC O-320-E, H	RAP215CC	211CC	RA-B3-5-1, RA1J10-1	RA2H3-12	
SN. 17265685 - 17276654	LYC O-320-E, H	RAP215CC	211CC	RA-B3-5-1, RA-D9-18-5	RA2H3-12	
172Q Cutlass	LYC O-360-A	RAP215CC, Upper RAP216CW, Lower	211CC 212CW		RA2H3-12	
SN. 17276260 & up w/ Elec.Standby						
172R, S Skyhawk SN. 17280001 and up	LYC IO-360-L	RAP215CC, Upper RAP216CW, Lower	215CC 216CW	RA-D9-18-1	RA2H3-48	
172RG Cutlass	LYC O-360-F	RAP215CC	211CC		RA2H3-12	
F172 Reims SN. F172-0019 - F172-0085	RR, TCM O-300-D			RA-B3-5-1	RA2H3-2	
SN. F172-0086 - F17200804	RR, TCM O-300-D			RA-D-9-14-5		
SN. F17200805 - F17201234	TCM O-300-D	RAP215CC-9	211CC-9	RA-B3-5-1, RA-D-9-14-5		
SN. F17201235 - F17201384	LYC O-320-E	RAP215CC	211CC	RA-B3-5-1		
SN. F17201385 and up	LYC O-320-E	RAP215CC	211CC	RA-B3-5-1, RA-D-9-14-5		
F172 w/ Elec.Standby F17202234 & up	LYC O-320-D	RAP215CC, Upper RAP216CW, Lower	211CC 212CW	RA-B3-5-1		
FR172K SN. FR17200591 - FR17200675	TCM, RR O-300-K, -KB	RAP215CC	211CC	RA-B3-5-1	RA2H3-12	
P172D SN. P17257120 - P17257188	TCM GO-300-E	RAP216CW	212CW		RA2H3-2	
R172E, R172F Hawk XP	TCM IO-360-D	RAP215CC	211CC			
R172H Hawk XP	TCM IO-360-C, -D, -H	RAP215CC	211CC			
R172J Hawk XP	TCM IO-360-H, -HB	RAP215CC	211CC			
R172K SN. R1722000 - R1723454	TCM IO-360-K, -KB	RAP215CC	211CC	RA-B3-5-1	RA2H3-12	
175, 175A, 175B, 175C Skylark w/ Conv.	TCM GO-300-A, -C, -D, -E	RAP216CW	212CW			
177 Cardinal SN. 17700001 - 17701164	LYC O-320-E	RAP215CC	211CC	RA-B3-5-1, RA-D-9-14-5	RA2H3-12	
SN. 17701165 - 17701530	LYC O-360-A	RAP215CC-9	211CC-9	RA-B3-5-1, RA-D-9-14-5	RA2H3-12	
SN. 17701531 - 17702542	LYC O-360-A	RAP215CC	211CC	RA-B3-5-1, RA-D-9-14-5	RA2H3-12	
SN. 17702543 - 17702752	LYC O-360-A	RAP215CC	211CC	RA-B3-5-1, RA-D9-18-1	RA2H3-12	
177RG SN. 177RG001 - 177RG1012	LYC IO-360-A	RAP215CC	211CC	RA-B3-5-1, RA-D-9-14-5	RA2H3-12	
SN. 177RG1013 - 177RG1087	LYC IO-360-A	RAP215CC	211CC	RA-B3-5-1, RA-D9-18-1	RA2H3-12	
SN. 177RG1088	LYC IO-360-A	RAP215CC	211CC	RA-B3-5-1, RA-D9-14-5	RA2H3-12	
SN. 177RG1089 - 177RG1386	LYC IO-360-A	RAP215CC	211CC	RA-B3-5-1, RA-D9-18-1	RA2H3-12	
F177RG SN. F177RG001 - F177RG0160	LYC IO-360-A	RAP215CC	211CC	RA-B3-5-1, RA-D-9-14-5	RA2H3-12	
SN. F177RG0161 - F177RG0177	LYC IO-360-A	RAP215CC	211CC	RA-B3-5-1	RA2H3-12	
180, 180A thru F Skywagon w/ Conv.	TCM O-470-A, -K, -L, -R	RAP216CW	212CW	RA-B3-5-1, RA-D-9-14-5		
180G	TCM O-470-L, -R	RAP216CW	212CW	RA-B3-5-1	RA2H3-2	
180 SN. 18051446 - 18052309	TCM O-470-L, -R	RAP216CW	212CW	RA-D-9-14-5		
SN. 18052310 - 18052384	TCM O-470-L, -R, -S	RAP216CW	212CW	RA-B3-5-1, RA-D-9-14-5		
182 thru G Skylane w/ Conversion Kit	TCM O-470-L, -R	RAP216CW	212CW	RA-B3-5-1		
182H thru M SN. 18255845 - 18260445	TCM O-470-R, -S	RAP216CW	212CW	RA-D-9-14-5		

All Airborne pumps available FAA Approved overhauled. For installation eligibility refer to FAA-PMA Supplement. For reference only.



REPLACEMENT AIRCRAFT PARTS CO.

PNEUMATICS APPLICATIONS

Aircraft Manufacturer Model / Serial Number / Option	Engine Manufacturer & Model	Dry Air Pump		Filters	Regulator	Check Valve
		New	Overhaul			
182N and P SN. 18260446 - 18262465	TCM O-470-R, -S	RAP216CW	212CW	RA-B3-5-1, RA-D-9-14-5	RA2H3-12	
SN. 8260466 - 18262778	TCM O-470-R, -S	RAP216CW	212CW	RA-D-9-14-5	RA2H3-12	
SN. 182662779 - 18265175	TCM O-470-R, -S	RAP216CW	212CW	RA1J10-1	RA2H3-12	
SN. 182665716 and up	TCM O-470-R, -S	RAP216CW	212CW	RA-D9-18-1	RA2H3-12	
w/ Elec. Driven Pump 18268435 and up	TCM O-470-R, -S	RAP216CW	212CW		RA2H3-12	
182Q thru R Skylane	TCM O-470-U	RAP216CW	212CW		RA2H3-12	
182S, 182T, T182T SN. 18280001 and up	LYC IO-540-A LYC IO-540-A	RAP215CC, Upper RAP216CW, Lower	215CC 216CW		RA2H3-48	
F182 Reims SN. F18200001 - F18200025	TCM O-470-S	RAP216CW	212CW	RA1J10-1		
SN. F18200026 - F18200169	TCM O-470-U	RAP216CW	212CW	RA-D9-18-1		
FR182 SN. F18200001 - F18200070	LYC O-540-J	RAP215CC	211CC	RA-B3-5-1, RA-D9-18-1	RA2H3-12	
R182, TR182 SN. R18200001 and up	LYC O-540-J	RAP215CC	211CC	RA-B3-5-1, RA-D9-18-1	RA2H3-12	
w/ Elec. Drive Pump R18202000 and up	LYC O-540-J	RAP216CW	212CW			
T182 SN. 18267716 - 18268434	LYC O-540-L	RAP215CC	211CC	RA-D9-18-1	RA2H3-12	
SN. 18268435 and up, Elec. Driven Pump	LYC O-540-L	RAP216CW	212CW	RA-D9-18-1		
185A, B, Skywagon w/ Conversion Kit	TCM IO-470-F	RAP216CW	212CW			
185C SN. 185-0654 - 185-0776	TCM IO-470-F	RAP216CW	212CW	RA-B3-5-1	RA2H3-2	
185D SN. 185-0777 - 18502142	TCM IO-470-F	RAP216CW	212CW	RA-D-9-14-5		
185 SN. 18502143 - 18502310	TCM IO-520-D	RAP216CW	212CW	RA-B3-5-1, RA-D-9-14-5		
A185E, F	TCM IO-520-D	RAP216CW	212CW			
188, 188A, 188B Ag Wagon	TCM O-470-R, -S	RAP216CW	212CW			
A188, A188A, A188B	TCM IO-520-D	RAP216CW	212CW			
205, 205A	TCM IO-470-S	RAP216CW	212CW			
206 Stationair / Super Skywagon	TCM IO-520-A	RAP216CW	212CW			
206, U206, U206A, P206, P206A thru E						
206 SN. 20680001 and up	LYC IO-540-A	RAP215CC, Upper RAP216CW, Lower	211CC 212CW	RA-D9-18-1	RA2H3-48	
U206B thru G	TCM IO-520-F	RAP216CW	212CW	RA-B3-5-1		
U206, TU206 Stationair Single Pump SN. U20602200 - U20603449	TCM IO-520-FC, TSIO-520-C,M	RAP216CW	212CW	RA-B3-5-1, RA-D-9-14-5		
SN. U20603450 and up	TCM IO-520-FC, TSIO-520-C,M	RAP216CW	212CW	RA-B3-5-1, RA-D9-18-1		
U206, TU206 Dual Pump SN. U20606700 and up	TCM IO-520-A,F, TSIO-520-C,M	RAP216CW, Right	212CW	RA-B3-5-1		
U206, TU206 w/ Electric Standby	TCM IO-520-A,F, TSIO-520-C,M	RAP216CW	212CW	RA-B3-5-1		
TU206A thru E, TP206A thru E	TCM TSIO-520-C	RAP216CW	212CW			
TU206F	TCM TSIO-520-C	RAP242CW	242CW			
207 T207 Skywagon SN. 20700001 - 20700220	TCM IO-520-F, TSIO-520-G,-M	RAP216CW	212CW	RA-D-9-14-5		
SN. 20700221 - 20700355 & 20700365	TCM IO-520-F, TSIO-520-G,-M	RAP216CW	212CW	RA-B3-5-1, RA-D-9-14-5		
SN. 20700730 and up	TCM IO-520-F, TSIO-520-G,-M	RAP216CW	212CW	RA-B3-5-1, RA-D9-18-1		
210 (Centurion) Non Deice Single Pump w/ Conversion Kit	TCM IO-470-E, -S, IO-520-L	RAP216CW	212CW	RA-B3-5-1		
210 Non Deice, Dual Pump w/ Conv. Kit	TCM IO-470-E, -S, IO-520-A, -L	RAP216CW	212CW	RA-B3-5-1		
With SK210-103 Mod. w/ Conversion Kit	TCM IO-470-E, -S, IO-520-A, -L	RAP216CW	212CW	RA-B3-5-1		
210 Electric System w/ Conversion Kit	TCM IO-470-E, -S, IO-520-A, -L	RAP216CW	212CW	RA-B3-5-1		
210 Deice, Single Pump w/ Conversion Kit	TCM IO-470-E, -S, IO-520-A, -L	RAP442CW-8	442CW-8	RA-B3-5-1		
210 Deice, Dual Pump	TCM IO-520-A, -J, -L	RAP216CW, Left RAP442CW-8, Right	212CW 442CW-8	RA-B3-5-1		
SN. 21064136 - 21064535 w/ Mod.						
SN. 21064536 - 21064772	TCM IO-520-A, -J, -L	RAP216CW, Left RAP442CW-8, Right	212CW 442CW-8	RA-B3-5-1		
SN. 21064773 thru 21064897	TCM IO-520-A, -J, -L	RAP442CW-8	442CW-8	RA-B3-5-1		
SN. 21064898 - 21065009	TCM IO-520-L	RAP442CW-8	442CW-8	RA-B3-5-1		
T210 Non Deice, Single Pump SN. 21059810 and up	TCM TSIO-520-C, -H, -R	RAP216CW	212CW	RA-B3-5-1		
T210 Non Deice, Dual Pump SN. 21064536 - 21064772	TCM TSIO-520-C, -H, -R	RAP216CW	212CW	RA-B3-5-1		
SN. 21064136 - 21064535 w/ Mod.	TCM TSIO-520-C, -H, -R	RAP216CW, Left	212CW	RA-B3-5-1		
T210 with Electric Driven System	TCM TSIO-520-C, -H, -R	RAP216CW	212CW	RA-B3-5-1	RA2H3-2	
T210 Deice, Single Pump	TCM TSIO-520-C, -H, -R	RAP442CW-8	442CW-8	RA-B3-5-1		
T210 Deice, Dual Pump	TCM TSIO-520-C, -H, -R	RAP216CW, Left RAP442CW-8, Right	212CW 442CW-8	RA-B3-5-1		
SN. 21064136 - 21064535 w/ Mod.						
SN. 21064536 - 21064772	TCM TSIO-520-C, -H, -R	RAP216CW, Left RAP442CW-8, Right	212CW 442CW-8	RA-B3-5-1		
SN. 21064773 - 21064897	TCM TSIO-520-C, -H, -R	RAP216CW, Left RAP442CW-8, Right	212CW 442CW-8	RA-B3-5-1		
SN. 21064898 and up	TCM TSIO-520-C, -H, -R	RAP442CW-8	442CW-8	RA-B3-5-1	RA2H3-2	
P210 Non Deice, Single Pump SN. P21000001 - P21000811	TCM TSIO-520-P	RAP216CW	212CW	RA-B3-5-1		
SN. P21000812 and up	TCM TSIO-520-P	RAP216CW	212CW	RA-B3-5-1		
P210 Non Deice, Dual Pumps	TCM TSIO-520-P	RAP216CW	212CW	RA-B3-5-1		
P210 Electric Driven Pump SN. P21000835 and up	TCM TSIO-520-P	RAP216CW	212CW	RA-B3-5-1		
SN. P21000001 - P21000760 w/ Mod.	TCM TSIO-520-P	RAP216CW RAP442CW-8	212CW 442CW-8	RA-B3-5-1		
SN. P21000835 and up	TCM TSIO-520-P	RAP216CW	212CW	RA-B3-5-1		
P210 Deice, Single Pump SN. P21000001 - P21000811	TCM TSIO-520-P	RAP442CW-8	442CW-8	RA-B3-5-1		
SN. P21000812 and up	TCM TSIO-520-P	RAP442CW-8	442CW-8	RA-B3-5-1		

All Airborne pumps available FAA Approved overhauled. For installation eligibility refer to FAA-PMA Supplement. For reference only.



PNEUMATICS APPLICATIONS

Aircraft Manufacturer Model / Serial Number / Option	Engine Manufacturer & Model	Dry Air Pump		Filters	Regulator	Check Valve
		New	Overhaul			
P210 Deice, Dual Pump SN. P210000761 - P21000834 SN. P210000835 and up SN. P21000001 - P21000760 w/ Mod.	TCM TSIO-520-P	RAP442CW-8	442CW-8	RA-B3-5-1, RA-D9-18-1		
	TCM TSIO-520-P	RAP442CW-8	442CW-8	RA-B3-5-1, RA-D9-18-1		
	TCM TSIO-520-P	RAP216CW, Left RAP442CW-8, Right	212CW 442CW-8	RA-B3-5-1		
T303 Crusader Non Deice	TCM TSIO-520-AE TCM LTSIO-520-AE	RAP216CW, Left RAP215CC, Right	212CW 211CC	RA-B3-5-1, RA-D9-18-1	RA2H3-2	RA1H5-1
T303 Deice	TCM TSIO-520-AE TCM LTSIO-520-AE	RAP442CW-8, Left RAP441CC-3, Right	442CW-8 441CC-3	RA-B3-5-1, RA-D9-18-1		
305A thru F Bird Dog	TCM O-470	RAP216CW	212CW			
310	TCM O-470-B, -M	RAP216CW	212CW	RA-B3-5-1		
310A, 310B	TCM O-470-B, -M	RAP216CW	212CW			
310C thru H and J Non Deice	TCM O-470-D, -U	RAP216CW RAP242CW	212CW 242CW			
310C thru H and J Deice	TCM O-470-D, -U	RAP442CW	442CW			
E310H, E310J Non Deice	TCM IO-470-D, -U	RAP216CW RAP242CW	212CW 242CW			
E310H, E310J Deice	TCM IO-470-D, -U	RAP442CW	442CW			
310I, 310J Non Deice w/ Conversion Kit	TCM IO-470-U	RAP216CW RAP242CW	212CW 242CW			
310I, 310J Deice	TCM IO-470-U	RAP442CW	442CW			
310K Non Deice	TCM IO-470-V, -VO	RAP216CW RAP242CW	212CW 242CW			
310K Deice	TCM IO-470-V, -VO	RAP442CW	442CW			
310L , without Auto Pilot w/ Conv. Kit	TCM IO-470-V, -VO			RA-B3-5-1, RA-D9-18-1		RA1H5-1
310L with Auto Pilot	TCM IO-470-V, -VO	RAP242CW	242CW	RA-B3-5-1, RA-D-9-14-5		RA1H5-1
310N , without Auto Pilot	TCM IO-470-V, -VO			RA-B3-5-1, RA-D-9-14-5		RA1H5-1
310N with Auto Pilot	TCM IO-470-VO	RAP242CW	242CW	RA-B3-5-1, RA-D-9-14-5		RA1H5-1
310P , without Auto Pilot, w/ Conv. Kit	TCM IO-470-VO	RAP216CW	212CW	RA-B3-5-1, RA-D-9-14-5		RA1H5-1
with Auto Pilot	TCM IO-470-VO	RAP242CW	242CW	RA-B3-5-1, RA-D-9-14-5		RA1H5-1
T310P w/ Conversion Kit	TCM TSIO-520-B, -BB	RAP242CW	242CW			
T310P Deice	TCM TSIO-520-B, -BB	RAP442CW	442CW			
310Q , without Auto Pilot, w/ Conv. Kit	TCM TSIO-520-B, -BB					
SN. 310Q0001 - 310Q0459	TCM IO-470-VO			RA-B3-5-1, RA-D-9-14-5		RA1H5-1
SN. 310Q0460 - 310Q0952	TCM IO-470-VO			RA-B3-5-1, RA-D-9-14-5	RA2H3-5	
SM. 310Q0953 and up	TCM IO-470-VO	RAP216CW	212CW	RA-B3-5-1, RA-D-9-14-5	RA2H3-5	
310Q with Auto Pilot w/ Conversion Kit						
SN. 310Q0001 - 310Q0459	TCM IO-470-VO	RAP242CW	242CW	RA-B3-5-1, RA-D-9-14-5		RA1H5-1
SN. 310Q0460 and up	TCM IO-470-VO	RAP242CW	242CW	RA-B3-5-1	RA2H3-5	
T310Q Non Deice, w/ Conversion Kit	TCM TSIO-520-B, -BB	RAP242CW	242CW			
T310Q Deice	TCM TSIO-520-B, -BB	RAP442CW	442CW			
310R Non Deice	TCM IO-520-M, -MB	RAP216CW	212CW	RA-B3-5-1, RA2J4-4	RA2H3-5	
310R Deice	TCM IO-520-M, -MB	RAP442CW	442CW	RA2J4-4		
T310R Non Deice, w/ Conversion Kit	TCM TSIO-520-B, -BB	RAP242CW	242CW	RA2J4-4		
T310R Deice	TCM TSIO-520-B, -BB	RAP442CW	442CW			
320, -1, -A, -B Skynight , w/o Auto Pilot	TCM TSIO-470-B, -C	RAP216CW	212CW			
with Auto Pilot, w/ Conversion Kit	TCM TSIO-470-B, -C		242CW			
with Deice, w/ Conversion Kit	TCM TSIO-470-B, -C		442CW			
320 Skynight , without Auto Pilot, w/ Con.	TCM TSIO-470-D	RAP216CW	212CW			
with Auto Pilot	TCM TSIO-470-D	RAP242CW	242CW			
320 Deice	TCM TSIO-470-D	RAP442CW	442CW			
320D thru F Skynight w/ Conversion Kit	TCM TSIO-520-B, -BB	RAP242CW	242CW			
Deice w/ Conversion Kit	TCM TSIO-520-B, -BB	RAP442CW	442CW			
321	TCM O-470-2	RAP216CW	212CW			
335 Non Deice	TCM TSIO-520-EB	RAP216CW	212CW	RA-B3-5-1		
335 Deice	TCM TSIO-520-EB	RAP442CW	442CW	RA-B3-5-1		
336 Skymaster	TCM IO-360-A	RAP215CC	211CC	RA-B3-5-1		
337 Skymaster , Non Deice	TCM IO-360-C, -D, -DB	RAP215CC	211CC	RA-B3-5-1, RA-D-9-14-5		
SN. 3370001 - 3370755						
SN. 3370756 - 3370963	TCM IO-360-C, -D, -DB	RAP215CC	211CC	RA-B3-5-1, RA-D-9-14-5		
SN. 3370964 - 3371193	TCM IO-360-C, -D, -DB	RAP215CC-9	211CC-9	RA-B3-5-1, RA-D-9-14-5		
SN. 3371194 - 33701462	TCM IO-360-C, -D, -DB	RAP215CC	211CC	RA-B3-5-1, RA-D-9-14-5		
SN. 33701463 - 33701550	TCM IO-360-C, -D, -DB	RAP215CC	211CC	RA-B3-5-1, RA-D-9-14-5		
SN. 33701551 - 33701610	TCM IO-360-C, -D, -DB	RAP215CC	211CC	RA-B3-5-1, RA1J10-1		
SN. 33701611	TCM IO-360-C, -D, -DB	RAP215CC	211CC	RA-B3-5-1, RA1J10-1		
337 Deice SN. 33701490 and up	TCM IO-360-C, -D, -DB	RAP441CC	441CC	RA-B3-5-1		
F337 Non Deice	TCM IO-360-GB	RAP215CC	211CC	RA-D-9-14-5		
SN. F33700001 - F33700055						
SN. F33700056 - F33700063	TCM IO-360-GB	RAP215CC	211CC	RA-D-9-14-5		
SN. F33700064 - F33700074	TCM IO-360-GB	RAP215CC	211CC	RA1J10-1		
SN. F33700075 - F33700086	TCM IO-360-GB	RAP215CC	211CC	RA1J10-1		
F337 Deice SN. F33700056 and up	TCM IO-360-GB	RAP441CC	441CC			
FT337 Non Deice	TCM IO-360-GB	RAP215CC	211CC	RA-D-9-14-5		
SN. F3370001 - F3370015						
SN. F3370016 and up	TCM IO-360-GB	RAP215CC	211CC	RA1J10-1		
FT337 Deice SN. F3370001 and up	TCM IO-360-GB	RAP441CC	441CC	RA-B3-5-1		
SN. M337B	TCM IO-360-D, -DB	RAP215CC	211CC			
P337 SN. P3370001 - P3370226	TCM TSIO-360-C, -CB	RAP215CC	211CC			
P337 Deice SN. P3370053 and up	TCM TSIO-360-C, -CB	RAP441CC	441CC	RA-B3-5-1		
P337H	TCM TSIO-360-C, -DB	RAP215CC	211CC	RA1J10-1		

All Airborne pumps available FAA Approved overhauled. For installation eligibility refer to FAA-PMA Supplement. For reference only.



REPLACEMENT AIRCRAFT PARTS CO.

PNEUMATICS APPLICATIONS

Aircraft Manufacturer Model / Serial Number / Option	Engine Manufacturer & Model	Dry Air Pump		Filters	Regulator	Check Valve
		New	Overhaul			
P337H cont.	TCM TSIO-360-C, -DB	RAP441CC	441CC			
T337B	TCM TSIO-360-A, -B	RAP215CC	211CC			
	TCM TSIO-360-A	RAP441CC	441CC			
T337C thru F	TCM TSIO-360-A	RAP215CC	211CC			
	TCM TSIO-360-A	RAP441CC	441CC			
T337G Non Deice SN. P3370001 - P3370225	TCM TSIO-360-C, -CB	RAP215CC	211CC	RA-B3-5-1, RA-D-9-14-5		
SN. P3370226	TCM TSIO-360-C, -CB	RAP215CC	211CC	RA-B3-5-1, RA1J10-1		
T337H Skymaster	TCM TSIO-360H, -HB, -JB	RAP215CC	211CC	RA1J10-1		
T337H-SP Skymaster	TCM TSIO-360H, -HB, -JB	RAP215CC	211CC			
340 with Single Instruments	TCM TSIO-520-K, -KB	RAP216CW	212CW	RA-B3-5-1	RA2H3-5	
340 with Dual Instruments	TCM TSIO-520-K, -KB	RAP442CW	442CW	RA-B3-5-1	RA2H3-5	
340 with Auto Pilot	TCM TSIO-520-K, -KB	RAP242CW	242CW	RA-B3-5-1	RA2H3-5	
340A Non Deice, Single Instruments	TCM TSIO-520-N, -NB	RAP442CW	442CW	RA-B3-5-1	RA2H3-5	
340A with Auto Pilot	TCM TSIO-520-N, -NB	RAP242CW	242CW	RA-B3-5-1	RA2H3-5	
340A Deice	TCM TSIO-520-N, -NB	RAP442CW	442CW	RA-B3-5-1	RA2H3-5	
401, 401A without Auto Pilot, w/ Conv. Kit	TCM TSIO-520-E, -EB	RAP216CW	212CW	RA-B3-5-1, RA2J4-4	RA2H3-5	
401, 401A with Auto Pilot, w/ Conv. Kit	TCM TSIO-520-E, -EB	RAP242CW	242CW	RA-B3-5-1, RA2J4-4	RA2H3-5	
			442CW			
401B without Auto Pilot SN. 401B0001 - 401B0100	TCM TSIO-520-E, -EB	RAP216CW	212CW	RA-B3-5-1, RA-D-9-14-5, RA2J4-4	RA2H3-5	
SN. 401B0101 - 401B0300	TCM TSIO-520-E, -EB	RAP216CW	212CW	RA-B3-5-1, RA2J4-4	RA2H3-5	
401B with Auto Pilot SN. 401B0001 - 401B0100	TCM TSIO-520-E, -EB	RAP242CW	242CW	RA-B3-5-1, RA-D-9-14-5, RA2J4-4	RA2H3-5	
SN. 401B0101 - 401B0300	TCM TSIO-520-E, -EB	RAP242CW	242CW	RA-B3-5-1, RA2J4-4	RA2H3-5	
			442CW			
402 w/ Conversion Kit	TCM TSIO-520-E, -EB	RAP216CW	212CW	RA-B3-5-1, RA2J4-4	RA2H3-5	
402A without Auto Pilot, w/ Conv. Kit	TCM TSIO-520-E, -EB	RAP216CW	212CW	RA-B3-5-1, RA-D-9-14-5	RA2H3-5	
402A with Auto Pilot, w/ Conversion Kit	TCM TSIO-520-E, -EB	RAP242CW	242CW	RA-B3-5-1, RA-D-9-14-5, RA2J4-4	RA2H3-5	
			442CW			
402B without Auto Pilot SN. 401B0001 - 401B0100	TCM TSIO-520-E, -EB	RAP216CW	212CW	RA-B3-5-1, RA-D-9-14-5, RA2J4-4	RA2H3-5	
SN. 401B0101 and up	TCM TSIO-520-E, -EB	RAP216CW	212CW	RA-B3-5-1, RA2J4-4	RA2H3-5	
402B with Auto Pilot SN. 401B0001 - 401B0100	TCM TSIO-520-E, -EB	RAP242CW	242CW	RA-B3-5-1, RA-D-9-14-5, RA2J4-4	RA2H3-5	
SN. 401B0101 and up	TCM TSIO-520-E, -EB	RAP242CW	242CW	RA-B3-5-1, RA2J4-4	RA2H3-5	
			442CW			
404 Titan	TCM GTSIO-520-M	RAP215CC	211CC			
411, 411A without Auto Pilot	TCM GTSIO-520-C	RAP215CC	211CC		RA2H3-5	
with Auto Pilot	TCM GTSIO-520-C	RAP241CC	241CC			
414, 414A Chancellor Vac. Instrument SN. 4140001 - 4140150	TCM TSIO-520-J, -JB, -N, -NB	RAP216CW	212CW	RA-B3-5-1	RA2H3-5	
SN. 4140151 - 4140349	TCM TSIO-520-J, -JB, -N, -NB	RAP216CW	212CW	RA-B3-5-1	RA2H3-5	
414, 414A with Auto Pilot SN. 4140001 - 4140150	TCM TSIO-520-J, -JB, -N, -NB	RAP242CW	242CW	RA-B3-5-1	RA2H3-5	
SN. 4140151 - 4140349	TCM TSIO-520-J, -JB, -N, -NB	RAP242CW	242CW	RA-B3-5-1	RA2H3-5	
414, 414A Pressure Instr. 4140251 & up	TCM TSIO-520-J, -JB, -N, -NB	RAP216CW	212CW	RA-B3-5-1		
414, 414A w/ Auto Pilot 4140251 & up	TCM TSIO-520-J, -JB, -N, -NB	RAP242CW	242CW	RA-B3-5-1		
414A with Dual Instruments	TCM TSIO-520-J, -JB, -N, -NB	RAP442CW	442CW	RA-B3-5-1	RA2H3-5	
414A Deice	TCM TSIO-520-J, -JB, -N, -NB	RAP442CW	442CW	RA-B3-5-1	RA2H3-5	
421, A, B Golden Eagle w/o Auto Pilot SN. 421B0001 - 421B0601	TCM GTSIO-520-D, -H	RAP215CC	211CC	RA-B3-5-1	RA2H3-5	
SN. 421B0602 and up	TCM GTSIO-520-D, -H	RAP215CC	211CC			
421, A with Auto Pilot SN. 421B0001 - 421B0601	TCM GTSIO-520-D, -H	RAP241CC	241CC	RA-B3-5-1	RA2H3-5	
SN. 421B0602 and up	TCM GTSIO-520-D, -H	RAP241CC	241CC			
421C Non Deice 1976 thru 1985	TCM GTSIO-520-L, N	RAP215CC	211CC	RA-B3-5-1	RA2H3-5	
421C Dual Instrument C1097 and up	TCM GTSIO-520-L, N	RAP441CC	441CC	RA-B3-5-1	RA2H3-5	
421C Deice 1976 thru 1985	TCM GTSIO-520-L, N	RAP441CC	441CC	RA-B3-5-1	RA2H3-5	
Commander - see Rockwell						
Daher - see Socata						
de Havilland - see Viking Air Limited (Twin Otter)						
Fairchild / M7 Aerospace						
SA26-AT Merlin IIB	GAR TPE331-151G				RA2H3-2	
SA227-AT, SA227-TT Metro III	GAR TPE331-303G				RA2H3-2	
Grumman American / American Aviation / American General / Gulfstream / Tiger Aircraft						
AA-1, AA-1A Yankee, Trainer	LYC O-235-C	RAP215CC	211CC	RA1J7-1		
AA-1B Trainer, TC	LYC O-235-C	RAP215CC	211CC	RA1J7-1	RA2H3-12	
SN. AA-1B-0379 and up	LYC O-235-C	RAP215CC	211CC		RA2H3-12	
AA-1C, T Cat / Lynx	LYC O-235-L	RAP215CC	211CC		RA2H3-12	
AA-5 Traveler	LYC O-320-E	RAP215CC	211CC	RA-B3-5-1, RA1J7-1	RA2H3-12	
AA-5A Cheetah	LYC O-320-E	RAP215CC	211CC	RA1J7-1	RA2H3-12	
AA-5B Tiger	LYC O-360-A	RAP215CC	211CC	RA1J7-1	RA2H3-12	
GA-7 Cougar	LYC O-320-D	RAP215CC	211CC	RA2J4-7		

All Airborne pumps available FAA Approved overhauled. For installation eligibility refer to FAA-PMA Supplement. For reference only.



PNEUMATICS APPLICATIONS

Aircraft Manufacturer Model / Serial Number / Option	Engine Manufacturer & Model	Dry Air Pump		Filters	Regulator	Check Valve
		New	Overhaul			
Gulfstream - also see Aero Commander						
Hawker - see Beech						
Helio						
H295, Courier, SN:1204 and up	LYC GO-480-G	RAP216CW	212CW	RA-B3-5-1		
500	LYC O-540-A	RAP215CC	211CC			
HT-595	LYC GO-480-G	RAP216CW	212CW			
550, Stallion	LYC TIO-540-J	RAP215CC	211CC			
Lake						
LA-4-200 Buccaneer	LYC O-360-A	RAP215CC	211CC	RA-B3-5-1, RA1J7-1		
250 Renegade	LYC O-540-C	RAP215CC	211CC			
Maule						
M-4-180	Franklin 6A-335-B	RAP216CW	212CW			
M-4-210	TCM IO-360-A, -D	RAP215CC	211CC	RA-B3-5-1	RA2H3-2	
M-4-220	Franklin 6A-350-C	RAP216CW	212CW	RA-B3-5-1, RA-D9-18-1	RA2H3-12	
M-5-180C	LYC O-360-C	RAP215CC	211CC			
M-5-200	LYC IO-360-J	RAP215CC	211CC			
M-5-235	LYC O-540-J, IO-540-W	RAP215CC	211CC		RA2H3-12	
M-6-180	LYC O-360-C	RAP215CC	211CC			
M-6-235	LYC O-540-J, IO-540-W	RAP215CC	211CC			
M-7-235B, M-7-260, MT-7-235	LYC O-540-V, IO-540-W, -V	RAP215CC	211CC			
Mitsubishi						
MU-2B-20, -25				RA-B3-5-1	RA2H3-6	
Mooney						
M20	LYC O-320	RAP215CC	211CC	RA1J7-1		
M20A	LYC O-360-A	RAP215CC	211CC	RA1J7-1		
M20B SN. 1701B - 1939B	LYC O-360-A	RAP215CC	211CC	RA1J7-1	RA2H3-12	
M20C SN. 194CC up, 680001 - 680225C	LYC O-360-A	RAP215CC	211CC	RA-B3-5-1, RA1J7-1	RA2H3-12	
SN. 690001 and up	LYC O-360-A	RAP215CC	211CC	RA-B3-5-1, RA1J7-1		
M20D SN. 101D and up	LYC O-360-A	RAP215CC	211CC	RA-B3-5-1, RA1J7-1	RA2H3-12	
M20E SN. 101E and up	LYC IO-360-A	RAP215CC	211CC	RA-B3-5-1, RA1J7-1	RA2H3-12	
SN. 69001 and up	LYC IO-360-A	RAP215CC	211CC	RA-B3-5-1, RA1J7-1		
M20F SN. 670001 - 680215	LYC IO-360-A	RAP215CC	211CC	RA-B3-5-1, RA1J7-1	RA2H3-12	
SN. 690001 and up	LYC IO-360-A	RAP215CC	211CC	RA-B3-5-1, RA1J7-1		
M20G SN. 680001 - 680205	LYC IO-360-A	RAP215CC	211CC	RA-B3-5-1, RA1J7-1	RA2H3-12	
SN. 690001 - 70006	LYC IO-360-A	RAP215CC	211CC	RA-B3-5-1, RA1J7-1		
M20J SN. 24-0001 thru 24-1604	LYC IO-360-A	RAP215CC	211CC	RA-B3-5-1, RA-D9-18-1	RA2H3-12	
SN. 24-1605 and up	LYC IO-360-A	RAP215CC	211CC	RA-B3-5-1, RA-D9-18-1, RA2J4-6	RA2H3-12	
SN. 24-0001 - 24-2999 (Standby System)	LYC IO-360-A	RAP216CW	212CW	RA-B3-5-1		
SN. 24-3000 and up (Standby System)	LYC IO-360-A	RAP215CC	211CC	RA-B3-5-1		
M20K with Single Alternator SN. 25-1001 thru 25-1087	TCM TSIO-360-G, -L, -M, -S	RAP215CC RAP241CC	211CC 241CC	RA-B3-5-1	RA2H3-12	
SN. 25-1088 and up	TCM TSIO-360-G, -L, -M, -S	RAP215CC RAP241CC	211CC 241CC	RA-B3-5-1, RA-D9-18-1 RA2J4-6	RA2H3-12	
M20K (231, 252) with Dual Alt. SN. 25000 and up	TCM TSIO-360-G, -L, -M, -S	RAP216CW RAP242CW-10	212CW 242CW-10	RA-B3-5-1	RA2H3-12	
M20K with Standby Sys. SN. 25-1001 up	TCM TSIO-360-G, -L, -M, -S	RAP216CW	212CW	RA-B3-5-1		
M20M	LYC TIO-540-A	RAP241CC-15	241CC-15	RA-B3-5-1, RA-D9-18-1, RA2J4-6		
M20R	TCM IO-550-G	RAP242CW RAP242CW-10	242CW 242CW-10	RA-B3-5-1, RA-D9-18-1, RA2J4-6		
M22	LYC TIO-541	RAP216CW	212CW	RA-B3-5-1, RA1J7-1		
Navion						
G	TCM IO-470-H	RAP216CW	212CW	RA-B3-5-1		
H	TCM IO-520-B	RAP216CW	212CW	RA-B3-5-1		
Partenavia - see Vulcanair						
Piaggio						
P.136-L	LYC GO-435-C2B	RAP216CW	212CW			
Pilatus BN - see Britten Norman						
Piper / The New Piper Aircraft Inc.						
J5C	LYC O-235-C	RAP215CC	211CC			
PA-12, PA-12S	LYC O-235-C	RAP215CC	211CC			
PA-14	LYC O-235-C1	RAP215CC	211CC			
PA-16, -16S	LYC O-235-C1	RAP215CC	211CC			
PA-18 Super Cub SN. 18-8020 thru 18-7609012	LYC O-235-C, O-290-D, 0-320	RAP215CC	211CC	RA-B3-5-1	RA2H3-23	
SN. 18-7609013 and up	LYC O-235-C, O-290-D, 0-320	RAP215CC	211CC	RA-B3-5-1, RA1J7-1	RA2H3-23	
SN. 189001 and up	LYC O-235-C, O-290-D, 0-320	RAP215CC	211CC	RA-B3-5-1, RA1J7-1	RA2H3-23	

All Airborne pumps available FAA Approved overhauled. For installation eligibility refer to FAA-PMA Supplement.
For reference only.



REPLACEMENT AIRCRAFT PARTS CO.

PNEUMATICS APPLICATIONS

Aircraft Manufacturer Model / Serial Number / Option	Engine Manufacturer & Model	Dry Air Pump		Filters	Regulator	Check Valve
		New	Overhaul			
PA-20-115, PA-20S-115	LYC O-235-C	RAP215CC	211CC			
PA-20, -20S, -20-135, -20S-135,	LYC O-290-D, -D2	RAP215CC	211CC			
PA-22	LYC O-290-D, -D2	RAP215CC	211CC			
PA-22-108 Tri Pacer	LYC O-235-C	RAP215CC	211CC			
SN. 22-8000 thru 22-8709						
SN. 22-8710 and up	LYC O-235-C	RAP215CC	211CC	RA-B3-5-1	RA2H3-12	
PA-22-135, PA-22S-135	LYC O-290-D	RAP215CC	211CC			
PA-22-150, PA-22S-150	LYC O-320-A, -B	RAP215CC	211CC			
PA-22-160, PA-22S-160	LYC O-320-A, -B	RAP215CC	211CC			
PA-23-160 Apache	LYC O-320-A, -B, -C	RAP215CC	211CC	RA-B3-5-1		
SN. 23-2395 and up	LYC O-320-A, -B, -C			RA-B3-5-1	RA2H3-2	
PA-23-235 Aztec	LYC O-540-A	RAP215CC	211CC	RA-B3-5-1, RA-D9-18-1		
PA-23-235 Deice	LYC O-540-A	RAP441CC-7	441CC-7			
PA-23-250 Non Deice, Pilot Instruments	LYC O-540-A	RAP215CC	211CC	RA-B3-5-1, RA-D9-18-1		
SN. 27-2000 thru 27-2504						
SN. 27-2505 thru 27-7654001	LYC O-540-A	RAP215CC	211CC	RA-B3-5-1, RA-D9-18-1		
PA-23-250 Non Deice, Dual Instruments	LYC O-540-A	RAP441CC-7	441CC-7	RA-B3-5-1, RA-D9-18-1		
SN. 27-7654001 and up						
PA-23-250 Deice - BFG System	LYC O-540-A	RAP441CC-7	441CC-7	RA-B3-5-1, RA-D9-18-1		
SN. 27-4510 thru 27-7304963						
SN. 27-7304964 thru 27-7654001	LYC O-540-A	RAP441CC-7	441CC-7	RA-B3-5-1, RA-D9-18-1		
PA-23-250 Deice - Airborne System	LYC O-540-A	RAP441CC-7	441CC-7			
SN. 27-7554112 - 27-7554168						
PA-24-180 Comanche	LYC O-360-A	RAP215CC	211CC	RA-B3-5-1		
SN. 24-2176, 24-2177, 24-2179 - 24-2184	LYC O-360-A	RAP215CC	211CC	RA-B3-5-1		
S. 24-2186 - 24-2202, 24-2204 - 24-2218	LYC O-360-A	RAP215CC	211CC	RA-B3-5-1		
SN. 24-2222, 24-2999 thru 24-2587	LYC O-360-A	RAP215CC	211CC	RA-B3-5-1		
SN. 24-2563, 24-2588 and up	LYC O-360-A	RAP215CC	211CC	RA-B3-5-1, RA-D9-18-1		
PA-24-250 Comanche	LYC O-540-A, IO-540-C	RAP215CC	211CC	RA-D9-18-1		
SN. 24-2563, 24-2588 and up	LYC IO-540-D, -N, -R	RAP215CC	211CC	RA-D9-18-1	RA2H3-12	
PA-24-260 Comanche	LYC O-540-D, -E -N, -R	RAP215CC	211CC	RA-B3-5-1, RA-D9-18-1	RA2H3-12	
PA-24-400 Comanche	LYC IO-720	RAP215CC	211CC		RA2H3-12	
PA-25 Pawnee	LYC O-320, -A	RAP215CC	211CC			
PA-25-235, -260	LYC O-540-B, -G	RAP215CC	211CC			
PA-28-140 Cherokee	LYC O-320-E	RAP215CC	211CC	RA-B3-5-1, RA-D9-18-1	RA2H3-12	
SN. 28-20002 thru 28-7425454						
SN. 28-7585001 and up	LYC O-320-E	RAP215CC	211CC	RA-B3-5-1, RA-D9-18-1	RA2H3-19	
PA-28-150	LYC O-320-A, -E	RAP215CC	211CC	RA-B3-5-1, RA-D9-18-1	RA2H3-12	
PA-28-151 Warrior	LYC O-320-E	RAP215CC	211CC	RA-B3-5-1, RA-D9-18-1	RA2H3-12	
SN. 28-7415001 thru 28-7415713						
SN. 28-7415001 thru 28-7715314	LYC O-320-E	RAP215CC	211CC	RA-B3-5-1, RA-D9-18-1	RA2H3-19	
PA-28-160 Cherokee	LYC O-320-D	RAP215CC	211CC	RA-B3-5-1, RA-D9-18-1	RA2H3-12	
PA-28-161 Warrior	LYC O-320-D	RAP215CC	211CC	RA-B3-5-1, RA-D9-18-1	RA2H3-19	
PA-28-161 with Aux. Pump System	LYC O-320-D	RAP215CC	211CC	RA-B3-5-1, RA-D9-18-1	RA2H3-19	
PA-28-180, PA-28S-180	LYC O-360-A	RAP215CC	211CC	RA-B3-5-1, RA-D9-18-1	RA2H3-12	
SN. 28-7105001 thru 28-7406290						
SN. 28-7405001 thru 28-7505261	LYC O-360-A	RAP215CC	211CC	RA-B3-5-1, RA-D9-18-1	RA2H3-12	
PA-28-181 Archer II 28-760001 and up	LYC O-360-A	RAP215CC	211CC	RA-B3-5-1, RA-D9-18-1	RA2H3-19	
PA-28-181 Archer III 28-90206 and up	LYC O-360-A	RAP215CC	211CC	RA-B3-5-1, RA-D9-18-1	RA2H3-19	
PA-28-201T Turbo Dakota	TCM TSIO-360-F	RAP215CC	211CC	RA-B3-5-1, RA-D9-18-1	RA2H3-19	
SN. 28-7921001 thru 28-7921091						
PA-28R-180 Arrow	LYC IO-360-B	RAP215CC	211CC	RA-B3-5-1, RA-D9-18-1	RA2H3-12	
SN. 28R-30005 thru 28-R7130019						
SN. 28R-75350001 and up	LYC IO-360-B	RAP215CC	211CC	RA-B3-5-1, RA-D9-18-1	RA2H3-19	
PA-28R-200 Arrow	LYC IO-360-C	RAP215CC	211CC	RA-B3-5-1	RA2H3-12	
SN. 28R-30482, 28R-35001 - 28R-35830						
SN. 28R-7135001 thru 28R-7475331	LYC IO-360-C	RAP215CC	211CC	RA-B3-5-1	RA2H3-12	
SN. 28R-7535001 and up	LYC IO-360-C	RAP215CC	211CC	RA-B3-5-1	RA2H3-19	
PA-28R-201 Arrow	LYC IO-360-C	RAP215CC	211CC	RA-B3-5-1, RA-D9-18-1	RA2H3-19	
SN. 28R-7737002 - 28R-7837317						
SN. 28R-7837318 and up	LYC IO-360-C	RAP215CC	211CC	RA-B3-5-1, RA-D9-18-1	RA2H3-19	
SN. 2803001 and up Aux. Pump		RAP215CC	211CC			
PA-28R-201T Turbo Arrow	TCM TSIO-360-F	RAP215CC	211CC	RA-B3-5-1, RA-D9-18-1	RA2H3-19	
SN. 28R-7703001 thru 28R-7803373						
SN. 28R-7803374 and up	TCM TSIO-360-F	RAP215CC	211CC	RA-B3-5-1, RA-D9-18-1	RA2H3-19	
SN. 2803001 and up Aux. Pump		RAP215CC	211CC			
PA-28RT-201 Arrow IV	LYC IO-360-C	RAP215CC	211CC	RA-B3-5-1, RA-D9-18-1	RA2H3-19	
SN. 28RT-7918001 thru 28R-8218026						
PA-28RT-201	LYC IO-360-C	RAP215CC	211CC	RA-B3-5-1, RA-D9-18-1	RA2H3-19	
SN. 28RT-8218027 thru 28R-8218039						
PA-28RT-201T 28R-7931001 and Up	TCM TSIO-360-F	RAP215CC	211CC	RA-B3-5-1, RA-D9-18-1	RA2H3-19	
PA-28-235 Cherokee 235, Pathfinder	LYC O-540-B	RAP215CC	211CC	RA-B3-5-1, RA-D9-18-1	RA2H3-12	
SN. 28-10003 thru 28-11039						
PA-28-236 Dakota	LYC O-540-J	RAP215CC	211CC	RA-B3-5-1, RA-D9-18-1	RA2H3-19	
PA-28-236 with Aux. Pump System		RAP215CC	211CC	RA-B3-5-1	RA2H3-19	
SN. 28-7911001 and up						
PA-30 Twin Comanche SN. 30-2 Up	LYC IO-320-B	RAP215CC	211CC	RA-B3-5-1, RA-D9-18-1		
C/R Option Right Engine, Also see PA-39	LYC LIO-320-B		212CW	RA-B3-5-1		
PA-31-300 Navajo	LYC IO-540-M	RAP215CC	211CC	RA-B3-5-1, RA2J4-6		
Non Deice, Pilot Instruments only						

All Airborne pumps available FAA Approved overhauled. For installation eligibility refer to FAA-PMA Supplement. For reference only.



PNEUMATICS APPLICATIONS

Aircraft Manufacturer Model / Serial Number / Option	Engine Manufacturer & Model	Dry Air Pump		Filters	Regulator	Check Valve
		New	Overhaul			
PA-31-300 Non Deice, Dual Instruments SN. 31-5 thru 31-854	LYC IO-540-M	RAP441CC-7	441CC-7	RA-B3-5-1, RA2J4-6		
SN. 31-855 thru 31-7612018	LYC IO-540-M	RAP441CC-7	441CC-7	RA2J4-6		
PA-31-300 Deice	LYC IO-540-M	RAP441CC-7	441CC-7	RA-B3-5-1, RA2J4-6		
PA-31 (310) Navajo Non Deice, Pilot Instruments	LYC TIO-540-A	RAP215CC	211CC	RA-B3-5-1, RA2J4-6		
PA-31 (310) Non Deice, Dual instruments	LYC TIO-540-A	RAP441CC-7	441CC-7	RA-B3-5-1, RA2J4-6		
PA-31 (310) Deice	LYC TIO-540-A	RAP441CC-7	441CC-7	RA-B3-5-1, RA2J4-6		
C/R Option Right Engine & Wing Locker	LYC LTIO-540-A	RAP442CW-6, Right	442CW-6	RA-B3-5-1, RA2J4-6		
PA-31-325 Navajo C/R Non Deice, Pilot Instruments	LYC TIO-540-F LYC LTIO-540-F	RAP215CC, Left Right	211CC 212CW	RA-B3-5-1, RA2J4-6		
PA-31-325 Non Deice, Dual Instruments	LYC TIO-540-F LYC LTIO-540-F	RAP441CC-7, Left RAP442CW-6, Right	441CC-7 442CW-6	RA-B3-5-1, RA2J4-6		
PA-31-325 Deice	LYC TIO-540-F LYC LTIO-540-F	RAP441CC-7, Left RAP442CW-6, Right	441CC-7 442CW-6	RA-B3-5-1, RA2J4-6		
PA-31-350 Chieftain Non Deice, Pilot Instruments only SN. 31-5001 thru 31-7652123	LYC TIO-540-J LYC LTIO-540-J	RAP215CC, Left Right	211CC 212CW	RA2J4-6		
SN. 31-7652124 and up	LYC TIO-540-J LYC LTIO-540-J	RAP215CC, Left Right	211CC 212CW	RA-B3-5-1, RA2J4-6		
Non Deice, Dual Instruments SN. 31-5001 thru 31-7652123	LYC TIO-540-J LYC LTIO-540-J	RAP441CC-7, Left RAP442CW-6, Right	441CC-7 442CW-6	RA2J4-6		
SN. 31-7652124 and up	LYC TIO-540-J LYC LTIO-540-J	RAP441CC-7, Left RAP442CW-6, Right	441CC-7 442CW-6	RA-B3-5-1, RA2J4-6		
PA-31-350 Deice SN. 31-5001 thru 31-7652123	LYC TIO-540-J LYC LTIO-540-J	RAP441CC-7, Left RAP442CW-6, Right	441CC-7 442CW-6	RA2J4-6		
SN. 31-7652124 thru 31-7952250 with Kit 764016 or 764017	LYC TIO-540-J LYC LTIO-540-J	RAP441CC-7, Left RAP442CW-6, Right	441CC-7 442CW-6	RA-B3-5-1, RA2J4-6		
PA-31P Presurized Navajo, Deice	LYC TIGO-540-E			RA2J4-6		
PA-31P-350 Mojave SN. 31P-8414001 Up Non Deice, Pilot Instruments	LYC TIO-540-V LYC LTIO-540-V	Left Right	211CC 212CW	RA2J4-6		
PA-31P-350 Mojave SN. 31P-8414001 Up De-ice and or Dual Instruments	LYC TIO-540-V LYC LTIO-540-V	RAP441CC-7, Left RAP442CW-6, Right		RA2J4-6		
PA-31T Cheyenne	PW PT6A-28			RA2J4-6		
PA-31T2 SN. 31T-8166001 and up	PW PT6A-135			RA2J4-7		
PA-32-260 Cherokee Six SN. 32-1 - 32-450	LYC O-540-E	RAP215CC	211CC	RA-B3-5-1	RA2H3-12	
SN. 32-451 - 32-7400061	LYC O-540-E	RAP215CC	211CC	RA-B3-5-1, RA-D9-18-1	RA2H3-12	
SN. 32-7500001 - 32-7800008	LYC O-540-E	RAP215CC	211CC	RA-B3-5-1, RA-D9-18-1	RA2H3-19	
PA-32-300 Cherokee Six SN. 23-40000 - 32-40292	LYC IO-540-K	RAP215CC	211CC	RA-B3-5-1	RA2H3-12	
SN. 32-40293 - 32-744182	LYC IO-540-K	RAP215CC	211CC	RA-B3-5-1, RA-D9-18-1	RA2H3-12	
SN. 32-7540001 - 32-7940282	LYC IO-540-K	RAP215CC	211CC	RA-B3-5-1, RA-D9-18-1	RA2H3-19	
PA-32R-300, -32RT-300, -32S-300	LYC IO-540-K	RAP215CC	211CC	RA-B3-5-1, RA-D9-18-1	RA2H3-19	
PA-32RT-300T	LYC TIO-540-S	RAP215CC	211CC	RA-B3-5-1, RA-D9-18-1		
PA-32-301 Saratoga SN.32-80006001 up	LYC IO-540-K	RAP215CC	211CC	RA-B3-5-1, RA-D9-18-1	RA2H3-12	
PA-32-301T SN. 32-8024001 and up	LYC TIO-540-S	RAP215CC	211CC	RA-B3-5-1, RA-D9-18-1	RA2H3-12	
PA-32R-301	LYC IO-540-K	RAP215CC	211CC	RA-B3-5-1, RA-D9-18-1	RA2H3-19	
PA-32R-301T Non Deice	LYC TIO-540-S	RAP215CC	211CC	RA-B3-5-1, RA-D9-18-1	RA2H3-19	
PA-32R-301T Deice	LYC TIO-540-S	RAP442CW-6	442CW-6	RA-B3-5-1	RA2H3-19	
PA-34-200 Seneca Non Deice	LYC IO-360-C LYC LIO-360-C	RAP215CC, Left RAP216CW, Right	211CC 212CW	RA-B3-5-1, RA-D9-18-1		
PA-34-200 Deice	LYC IO-360-C LYC LIO-360-C	RAP441CC-7, Left RAP442CW-6, Right	441CC-7 442CW-6	RA-B3-5-1, RA-D9-18-1		
PA-34-200T Seneca II Non Deice SN. 34-7570001 thru 34-7870492	TCM TSIO-360-E TCM LTSIO-360-E	RAP215CC, Left Right	211CC 212CW	RA-B3-5-1, RA2J4-6		
SN. 34-7970001 thru 34-8170092	TCM TSIO-360-E TCM LTSIO-360-E	RAP215CC, Left Right	211CC 212CW	RA2J4-6, RA-D-9-14-5		
PA-34-200T Deice SN. 34-7570001 thru 34-8070037	TCM TSIO-360-E TCM LTSIO-360-E	RAP441CC-7, Left RAP442CW-6, Right	441CC-7 442CW-6	RA-B3-5-1, RA2J4-6		
SN. 34-8070038 thru 34-8170092	TCM TSIO-360-E TCM LTSIO-360-E	RAP441CC-7, Left RAP442CW-6, Right	441CC-7 442CW-6	RA2J4-6, RA-D-9-14-5		
PA-34-200T Deice, Dual Instruments SN. 34-7570001 thru 34-7870492	TCM TSIO-360-E TCM LTSIO-360-E	RAP441CC-7, Left RAP442CW-6, Right	441CC-7 442CW-6	RA-B3-5-1, RA2J4-6		
SN. 34-7970001 thru 34-8170092	TCM TSIO-360-E TCM LTSIO-360-E	RAP441CC-7, Left RAP442CW-6, Right	441CC-7 442CW-6	RA2J4-6, RA-D-9-14-5		
PA-34-220T Seneca Non Deice	TCM TSIO-360-K TCM LTSIO-360-K	RAP215CC, Left Right	211CC 212CW	RA-B3-5-1, RA-D9-18-1		
PA-34-220T Deice	TCM TSIO-360-K TCM LTSIO-360-K	RAP441CC-7, Left RAP442CW-6, Right	441CC-7 442CW-6	RA-B3-5-1, RA-D9-18-1		
PA-36-300 Brave	LYC IO-540-K	RAP215CC	211CC			
PA-38-112 Tomahawk	LYC O-235-L2C	RAP215CC	211CC	RA-B3-5-1, RA-D9-18-1	RA2H3-23	
PA-39 Twin Comanche C/R . Also see PA-30	LYC IO-320-B LYC LIO-320-B	RAP215CC, Left Right	211CC 212CW	RA-B3-5-1, RA-D9-18-1		
PA-40 Arapaho Non Deice	LYC IO-320-B LYC LIO-320-B	RAP215CC, Left Right	211CC 212CW			
PA-42-720 Cheyenne III	PW PT6A-41			RA-D9-18-1		
PA-42-1000 Cheyenne IV	GAR TPE-331			RA-D9-18-1		
PA-44-180 Seminole	LYC O-360-A, -E LYC LO-360-E	RAP215CC, Left Right	211CC 212CW	RA-D9-18-1		

All Airborne pumps available FAA Approved overhauled. For installation eligibility refer to FAA-PMA Supplement.
For reference only.



REPLACEMENT AIRCRAFT PARTS CO.

PNEUMATICS APPLICATIONS

Aircraft Manufacturer Model / Serial Number / Option	Engine Manufacturer & Model	Dry Air Pump		Filters	Regulator	Check Valve
		New	Overhaul			
PA-44-180T Turbo Seminole Non Deice	LYC TO-360-E	Left	211CC	RA-D9-18-1		
	LYC LTO-360-E	Right	212CW			
PA-44-180T Deice	LYC TO-360-E	RAP441CC-7, Left	441CC-7	RA-D9-18-1		
	LYC LTO-360-E	RAP442CW-6, Right	442CW-6			
PA-46-310P Malibu Non Deice, Single Pump System	TCM TSIO-520-B	RAP216CW	212CW	RA-B3-5-1, RA-D9-18-1		
	TCM TSIO-520-B	RAP442CW-6, Left	442CW-6			
PA-46-310P Deice Non Deice with Standby System	TCM TSIO-520-B	RAP442CW-6, Left	442CW-6	RA-B3-5-1, RA-D9-18-1	RA2H3-6	
	LYC TIO-540-AE	RAP216CW	212CW			
PA-46-350 Non Deice, Single Pump	LYC TIO-540-AE	RAP441CC-17, Upper	441CC-17	RA-B3-5-1, RA-D9-18-1	RA2H3-6	
		RAP442CW-6, Lower	442CW-6			
PA-60 Series - see Aerostar						
Raytheon - see Beech						
Rockwell / Gulfstream / Commander						
112 Commander	LYC O-360-C	RAP215CC	211CC	RA-B3-5-1, RA-D9-18-1	RA2H3-12	
112A	LYC IO-360-C	RAP215CC	211CC			
112B Alpine	LYC IO-360-C	RAP215CC	211CC	RA-B3-5-1, RA-D9-18-1	RA2H3-12	
112TC	LYC TO-360-C	RAP215CC	211CC	RA-B3-5-1, RA-D9-18-1	RA2H3-12	
112TCA	LYC TO-360-C	RAP215CC	211CC	RA-B3-5-1, RA-D9-18-1	RA2H3-12	
114, 114A Gran Turismo	LYC IO-540-T	RAP215CC	211CC	RA-B3-5-1, RA-D9-18-1	RA2H3-12	
500 thru 700 Series - see Aero Commander						
Socata / Aerospatiale						
MS88B	TCM O-200-A	RAP215CC-9	211CC-9			
MS892A-150 & E-150	LYC O-320-E	RAP215CC	211CC			
MS893A, E	LYC O-360-A	RAP215CC	211CC			
MS894A, E	Franklin 6A-350-C	RAP216CW	212CW			
I00S	TCM O-200-A	RAP215CC-9	211CC-9			
150T, ST	LYC O-320-E	RAP215CC	211CC			
235E	LYC O-540-B	RAP215CC	211CC			
TB9 SN. 001 - 822, 850 - 947 except 888	LYC O-320-D	RAP215CC	211CC	RA-B3-5-1, RA-D9-18-1	RA2H3-12	
TB10 Tobago Aux. Backup Sys. SN. 984 and up	LYC O-360-A	RAP215CC	211CC	RA-B3-5-1, RA-D9-18-1	RA2H3-12	
TB20 Trinidad Aux. Backup Sys. SN. 984 and up	LYC O-540-C	RAP215CC	211CC	RA-B3-5-1, RA-D9-18-1	RA2H3-12	
TB21 Trinidad Turbo	LYC TIO-540-A			RA-B3-5-1, RA-D9-18-1	RA2H3-12	
SIAI - Marchetti						
S.205-18/F, /R	LYC O-360-A	RAP215CC	211CC			
S.205-20/F, /R	LYC O-360-A	RAP215CC	211CC			
S.205-22/R	Franklin 6A-350-C	RAP216CW	212CW			
S.208/-A, F.260/-B/-C	LYC O-540-E	RAP215CC	211CC			
S.210	LYC TIO-360-A	RAP215CC	211CC			
Ted Smith Aerostar - see Areostar						
Textron Aviation Inc. - see Beech or Cessna						
Twin Comander - see Aero Comander						
Viking Air Limited / de Havilland (Twin Otter)						
DHC-6-1, -100, -200, -300, -400				RA2J4-4		
Vulcanair / Partenavia						
P68, P68B, P68C Observer	LYC IO-360-A	RAP215CC	211CC	RA1J7-1	RA2H3-12	RA1H5-1
P68, P68B, P68C Deice	LYC IO-360-A	RAP441CC-23	441CC-23		RA2H3-12	
P68C-TC	LYC IO-360-C	RAP215CC	211CC	RA1J7-1	RA2H3-12	RA1H5-1
P68C-TC Deice	LYC IO-360-C	RAP441CC-23	441CC-23		RA2H3-12	
AP68TP300, AP68TP600 Spartacus	RR 250 B17C			RA1J7-1	RA2H3-12	RA1H5-1

Section 2: Kit Plane Vacuum System Kit by Rapco, Inc.

Kit Plane Vacuum System Kit By RAPCO - Replacement Parts Kit Number and Description	Dry Air Pump		Filters	Regulator
	New	Overhaul		
RAVAC-K1 For counter clockwise turning accessory drives. (see below)	RAP215CC	211CC	RA-B3-5-1 & RA-D9-18-1	RA2H3-12
RAVAC-K2 For clockwise turning accessory drives. (see below)	RAP216CW	212CW	RA-B3-5-1 & RA-D9-18-1	RA2H3-12
RAVAC-K9 For counter clockwise turning accessory drives. (see below)	RAP215CC-9	211CC-9	RA-B3-5-1 & RA-D9-18-1	RA2H3-12

All Airborne pumps available FAA Approved overhauled. For installation eligibility refer to FAA-PMA Supplement. For reference only.



PNEUMATICS APPLICATIONS

Section 3: Dry Air Pump Application Guide for Kit Plane Experimental and Classical Aircraft Engines

Engine Manufacturer	Engine Model	Dry Air Pump	
		New	Overhaul
Continental	C90-16F	RAP215CC-9	211CC-9
	O-200-A thru -C	RAP215CC-9	211CC-9
	IO-240	RAP216CW	212CW
	IO-360	RAP215CC	211CC
	IO-520	RAP216CW	212CW
	IO-550	RAP216CW	212CW
Franklin	6A-235-B	RAP216CW	212CW
	6A-350-C	RAP216CW	212CW
Jabiru	2200	RAP216CW	212CW
	2300	RAP216CW	212CW
Lycoming	O-235	RAP215CC	211CC
	O-290	RAP215CC	211CC
	O-320	RAP215CC	211CC
	O-360	RAP215CC	211CC
	IO-360	RAP215CC	211CC
	O-540	RAP215CC	211CC
Pratt & Whitney	R-985	RAP216CW	212CW
	R-1340	RAP216CW	212CW
Rotax	912	RAP215CC	211CC
	914	RAP215CC	211CC

Section 4: Beech King Air Rudder Boost Filter Replacement RAPCO PN. RA101-524009-0163 - Rudder Boost Filter

FAA-PMA approved replacement for the following part numbers.
101-524009-91, 101-524009-0161 & 101-524009-0163

Application
C90A, C90GT, C90GTI,
A100-1 (U-21J),
200, 200C, 200CT, 200T,
A200 (C-12A), (C-12C),
A200C (UC-12B),
A200CT (C-12D), (FWC-12D), (C-12F), (RC-12D), (RC-12G), (RC-12H),
(RC-12K), (RC-12P), (RC-12Q),
B200,
B200C (C-12F), (UC-12M), (C-12R), (UC-12F),
B200CT
B200T
B200GT,
B200CGT

Filters

RAPCO		Airborne or OEM		Aero Acc. / Tempest PN.	Beech PN.	Cessna PN.	Piper PN.	Description
Latest PN.	Superseded	Latest PN.	Superseded					
RA-B3-5-1	-	B3-5-1	B3005A1	AAB3-5-1	-	C482001-0202	751 815	Regulator Garter, Foam, 1" Long x 1 3/4" Dia.
RA-D9-14-3	-	D9-14-3	-	AAD9-14-3	-	-	-	Element for 1J2 Series, 2 3/16" Long x 2 7/8" Dia
RA-D-9-14-5	-	D9-14-5	-	AAD9-14-5	8398 136-05-0H	C294501-0103	757 899	Element for 1J2 Series Except 1J2-2, 2 3/16" L x 2 7/8" D
RA-D9-18-1	-	D9-18-1	-	AAD9-18-1	-	C294502-0201	757 899	Element for RA1J7-1 Assembly 3" Long x 3 1/4" Dia.
RA1J7-1	-	1J7-1	-	AA1J7-1	-	-	460 888	Vac.Filter Assy. Two 3/8" tubes, 3 3/4" Long X 2 7/8" Dia.
RA1J10-1	-	1J10-1	-	-	-	C294502-0101	-	Line Mounted - two 3/8" tubes, 5 1/4" Long X 3" Dia.
RA2J4-4	RA1J4-4	2J4-4	1J4-4	AA2J4-4	-	200441	460 857	Line Mounted - two 1/2" tubes, 5" Long X 3 1/4" Dia.
	-	-	-	-	-	201442	460 888	
	-	-	-	-	-	J-158444	-	
RA2J4-6	RA1J4-6	2J4-6	1J4-6	AA2J4-6	92-301-126	-	460 866	Line Mounted - two 5/8" tubes, 6 3/4" Long X 3 1/4" Dia.
	-	-	-	-	-	-	560 689	
RA2J4-7	RA1J4-7	2J4-7	1J4-7	AA2J4-7	92-301-127	-	-	Line Mounted - two 5/8" tubes, 5 1/2" Long X 3 1/4" Dia.
RA101-524009-0163	-	-	-	-	101-524009-0163	-	-	Beechcraft King Air series Rudder boost filter with drain hole
	-	-	-	-	101-524009-0161	-	-	
	-	-	-	-	101-524009-91	-	-	

For reference only.

51419

PNEUMATICS CROSS REFERENCE

Fittings

RAPCO PN.		Airborne		Aero Acc. / Tempest PN.		Piper PN.	Description
Latest PN.	Superseded	Latest PN.	Superseded				
RA1K1-6-10	-	1K1-6-10	-	AA1K1-6-10	-	458 958	Dry Air Pump Fitting - 90 Degree, 3/8" NPT, 5/8" Hose
RA1K8-6-10	-	1K8-6-10	-	AA1K8-6-10	-	560 810	Dry Air Pump Fitting - 152 Degree, 3/8" NPT, 5/8" Hose
RA1K10-6-10	-	1K10-6-10	-	AA1K10-6-10	-	-	Dry Air Pump Fitting - Straight, 3/8" NPT, 5/8" Hose
RA1K1-4-6	-	1K1-4-6	134A3	AA1K1-4-6	-	458 945	Instrument Fitting - 90 Degree, 1/4" NPT, 3/8" Hose
RA1K10-4-6	-	1K10-4-6	-	AA1K10-4-6	-	451 939	Instrument Fitting - Straight, 1/4" NPT, 3/8" Hose
RA1K31-4-6-4	-	1K31-4-6-4	-	AA1K31-4-6-4	-	560 835	Instrument Fitting - T, 1/4" NPT, 3/8" & 1/4" Hose

For reference only.

51419

Manifold Check Valves

RAPCO PN.		Airborne PN.				Piper PN.	Description
Vacuum							
RA1H5-1	-	1H5-1	-	-	-	-	Hose Fittings - Two 5/8" Pump, Two 3/8" Inst. Two 1/4" Ga.

For reference only.

51419

Regulators

RAPCO PN.		Airborne		Aero Acc. / Tempest PN.		Piper PN.	Description
Latest PN.	Superseded	Latest PN.	Superseded				
Vacuum							
RA2H3-2	-	2H3-2	133A3	AA2H3-2	-	C482001-0101	5/8" Hose (Pump), 1/2" Hose (Instrument)
RA2H3-5	-	2H3-5	133C1	AA2H3-5	-	-	5/8" Hose (Pump), 5/8" Hose (Instrument)
RA2H3-6	-	2H3-6	133B3	AA2H3-6	-	584 324	5/8" Hose (Pump), 5/8" Hose (Instrument)
RA2H3-11	-	2H3-11	133A13	-	-	-	Two AN-10A Flaired Tube Fittings
RA2H3-12	-	2H3-12	2H3-16, 133A16	AA2H3-12	-	C482001-0401	5/8" Hose (Pump), two 3/8" Hose (Instrument)
RA2H3-15	-	2H3-15	-	-	-	-	One AN-10A Flaired Tube Fitting
RA2H3-19	-	2H3-19	-	-	-	492 240	5/8" Hose (Pump), two 3/8" Hose (Inst.) w/ vac switch
RA2H3-23	-	2H3-23	133A4	AA2H3-23	-	49 -056	5/8" Hose (Pump), two 3/8" Hose (Instrument)
						492 272	
RA2H3-48	-	2H3-48	-	AA2H3-23	-	-	AN-10A Flaired Tube Fitting (Inst.), 5/8" Hose (Pump)

For reference only.

10919

All Airborne pumps available FAA Approved overhaul. For installation eligibility refer to FAA-PMA Supplement.

For reference only.



RAPCO PNEUMATICS CROSS REFERENCE GUIDE

New - Dry Air Pumps, Filters, Fittings, Manifold Check Valves and Regulators, FAA-PMA/EASA Approved
Overhauled - Dry Air Pumps with FAA/EASA Approved Data with Dual Release FAA form 8130-3

Dry Air Pumps

RAPCO			Airborne		Aero Acc. / Tempest PN.	Beech PN.	Cessna PN.	Piper PN.	Description
New PN.	Overhaul PN.	Superseded	Latest PN.	Superseded					
RAP215CC	-	-	-	-	AA3225CC	-	-	-	Ports - 3/8" NPT
	-	-	-	-	AA3215CC	-	-	-	
	215CC	RA215CC	215CC	-	AA215CC	-	-	-	
	211CC	-	-	211CC	AA211CC	92-410-911	J470280C	481 764 PLH	
	-	-	-	-	-	-	C431003-0101	481 753 VRB	
	-	-	-	-	-	-	C431002-0102	-	
	-	-	-	200CC	-	92-410-795	C431002-0101	481 602	
	-	-	-	-	-	-	C431002-0102	-	
	-	-	-	201CC	-	-	-	481 738	
	-	-	-	203CC	-	-	C431002-0102	-	
	-	-	-	201CC	-	-	-	481 738	
	-	-	-	201CC	-	-	-	481 738	
RAP215CC-9	-	-	-	-	AA3225CC-9	-	-	-	Ports - 3/8" NPT, Vertical mounting option
	-	-	-	-	AA3215CC-9	-	-	-	
	215CC-9	RA215CC-9	215CC-9	-	AA215CC-9	-	-	-	
	211CC-9	-	-	211CC-9	AA211CC-9	-	C431003-0103	-	
	-	-	-	200CC-9	-	-	C431002-0102	-	
RAP216CW	-	-	-	-	AA3226CW	-	-	-	Ports - 3/8" NPT
	-	-	-	-	AA3216CW	-	-	-	
	216CW	RA216CW	216CW	-	AA216CW	-	-	-	
	212CW	-	-	212CW	AA212CW	92-410-908	J470281	481 765 PLH	
	-	-	-	-	-	-	C431003-0102	481 754 VRB	
	-	-	-	200CW	-	-	C431002-0103	481 732	
	-	-	-	204CW	-	-	C431004-0202	-	
	212CW-6	-	212CW-6	-	-	-	-	-	Ports - 3/8" NPT, Pulley drive shaft
RAP241CC	-	-	-	-	AA243CC	-	-	-	Ports - 3/8" NPT
	241CC	RA241CC	241CC	-	AA241CC	-	-	-	
	-	-	-	231CC	-	92-428-126	C431004-0201	-	
RAP241CC-13	-	-	-	-	AA243CC-13	-	-	-	Ports - 3/8" NPT
	241CC-13	RA241CC-13	241CC-13	-	AA241CC-13	-	-	-	
RAP241CC-15	-	-	-	-	AA243CC-15	-	-	-	Ports - 3/8" NPT
	241CC-15	RA241CC-15	241CC-15	-	AA241CC-15	-	-	-	
RAP242CW	-	-	-	-	AA244CW	-	-	-	Ports - 3/8" NPT
	242CW	RA242CW	242CW	-	-	92-414-844	-	-	
	-	-	-	232CW	-	92-411-500	-	-	
RAP242CW-4	-	-	-	-	AA244CW-4	-	-	-	Ports - 3/8" NPT
	242CW-4	RA242CW-4	242CW-4	-	AA242CW-4	92-414-845	-	-	
RAP242CW-10	-	-	-	-	AA244CW-10	-	-	-	Ports - 3/8" NPT
	242CW-10	RA242CW-10	242CW-10	-	AA242CW-10	-	-	-	
RAP441CC	441CC	RA441CC	441CC	-	AA441CC	-	C431004-0101	-	Ports - 1/2"NPT
	-	-	-	-	-	-	J470200	-	
	-	-	-	431CC	-	92-428-126	C431004-0101	-	
RAP441CC-3	441CC-3	RA441CC-3	441CC-3	-	AA441CC-3	-	-	-	Ports - 1/2"NPT
RAP441CC-7	441CC-7	RA441CC-7	441CC-7	-	AA441CC-7	-	-	481 769	Ports - 1/2"NPT
	-	-	-	-	-	-	-	481 777	
	-	-	-	431CC-7	-	-	-	481 720	
RAP441CC-9	441CC-9	RA441CC-9	441CC-9	-	AA441CC-9	92-428-131	-	-	Ports - 1/2"NPT
	-	-	-	431CC-9	-	92-428-121	-	-	
	441CC-11	-	441CC-11	-	AA441CC-11	-	-	-	Ports - 1/2"NPT
RAP441CC-17	441CC-17	RA441CC-17	441CC-17	-	-	-	-	481 811	Ports - 1/2"NPT
RAP441CC-23	441CC-23	RA441CC-23	441CC-23	-	-	-	-	-	Ports - 1/2"NPT
RAP442CW	442CW	RA442CW	442CW	-	AA442CW	92-428-127	J470177	-	Ports - 1/2"NPT
	-	-	-	432CW	-	92-428-122	-	-	
RAP442CW-4	442CW-4	RA442CW-4	442CW-4	-	AA442CW-4	92-428-129	-	-	Ports - 1/2"NPT
RAP442CW-6	442CW-6	RA442CW-6	442CW-6	432CW-6	AA442CW-6	-	-	481 770	Ports - 1/2"NPT
	-	-	-	-	-	-	-	481 778	
	-	-	-	432CW-6	-	-	-	481 742	
RAP442CW-8	442CW-8	RA442CW-8	442CW-8	-	AA442CW-8	-	C431004-0102	-	Ports - 1/2"NPT
	-	-	-	432CW-8	-	-	C431004-0102	-	
RAP442CW-12	442CW-12	RA442CW-12	442CW-12	-	AA442CW-12	92-428-128	-	-	Ports - Inlet - 1/2"NPT,
	-	-	-	432CW-12	-	92-428-123	-	-	Outlet - Flange for 1K 24-2 fitting (3/4" hose).
RAP442CW-14	442CW-14	RA442CW-14	442CW-14	-	AA442CW-14	92-428-132	-	-	Ports - 1/2"NPT
RAP442CW-20	442CW-20	RA442CW-20	442CW-20	-	AA442CW-20	-	-	481 841	Ports - 1/2"NPT

MISCELLANEOUS DRY AIR PUMP REPLACEMENT INFORMATION

Bi-Directional Pumps		
Sigma Tec 1U128, 1U28A, B	Replace with RAP215CC or RAP216CW depending on rotation. Check IPC and eligibility to find the proper pump for your aircraft and engine. CC refers to Counter Clockwise rotation, or CW refers to Clockwise rotation as viewed from the pilot seat, or looking at the back of the pump.	
Wet Pumps		
Airwolf 39194-AFC, Garwin G455, Pesco 3P194,	Wet pumps can be replaced by dry air pumps on aircraft that are approved to do so. Check approval data and eligibility to find the correct dry air pump for your aircraft. Proper pump rotation for your particular engine is critical. CC refers to Counter Clockwise rotation, or CW refers to Clockwise rotation, as viewed from the pilot seat or looking at the back of the pump.	

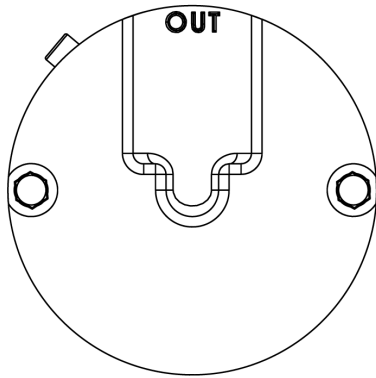
For reference only

51321

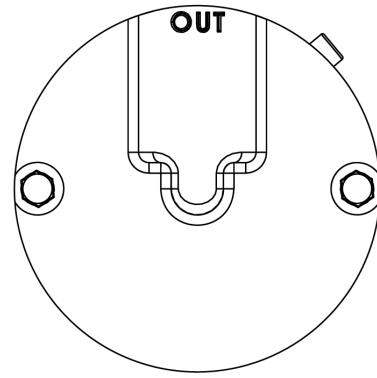
Dry Air Pump Rear End Identifiers

(Not to scale)

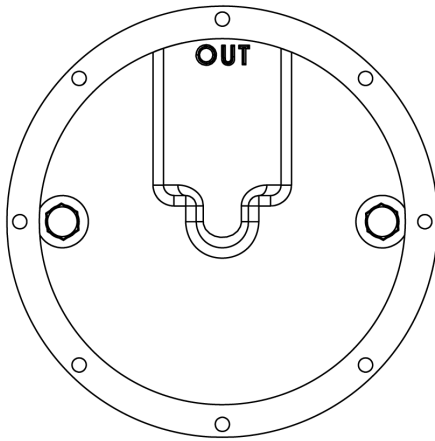
For Reference Only



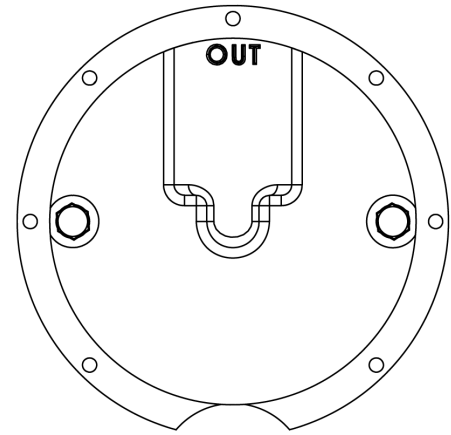
RAP215CC, 211CC, 215CC
RAP215CC-9 & 215CC-9



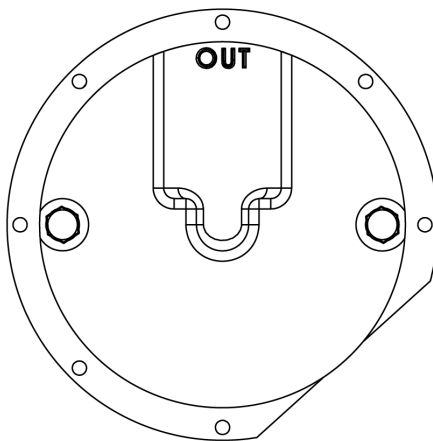
RAP216CW, 212CW & 216CW



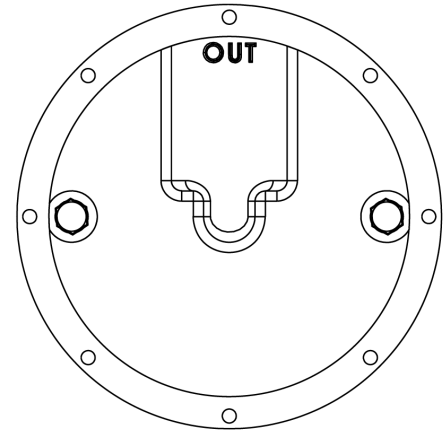
RAP241CC & 241CC



RAP241CC-13 & 241CC-13



RAP241CC-15 & 241CC-15

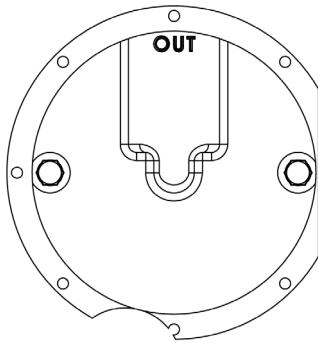


RAP242CW & 242CW

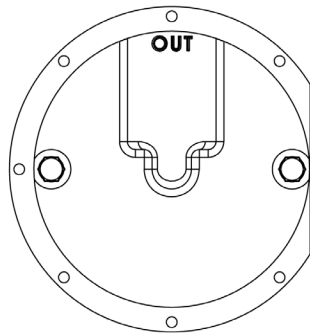
Dry Air Pump Rear End Identifiers

(Not to scale)

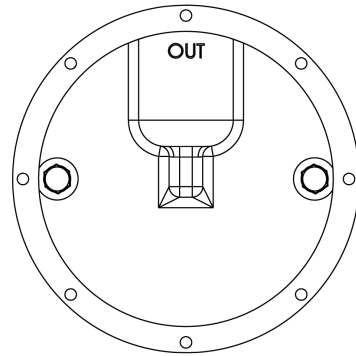
For Reference Only



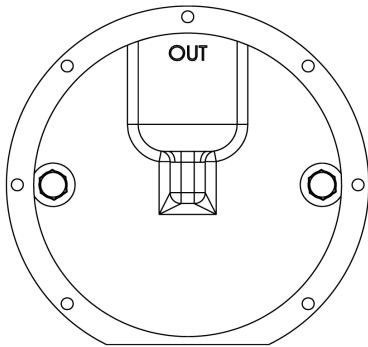
RAP242CW-4 & 242CW-4



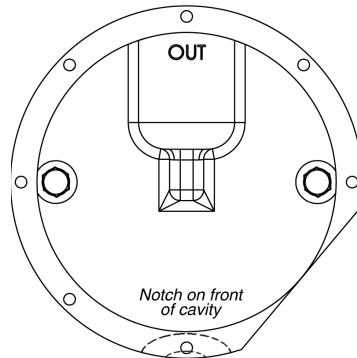
RAP242CW-10 & 242CW-10



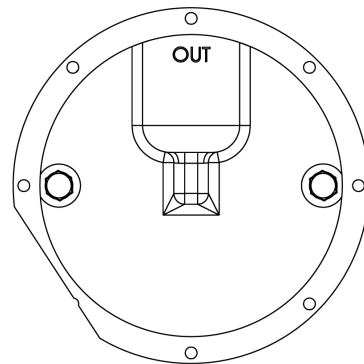
RAP441CC & 441CC



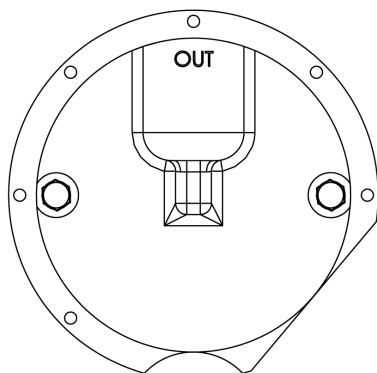
RAP441CC-3 & 441CC-3



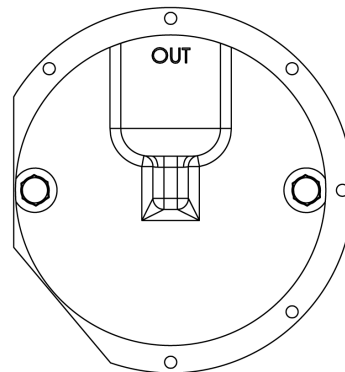
RAP441CC-7 & 441CC-7



RAP441CC-9 & 441CC-9



RAP441CC-17 & 441CC-17

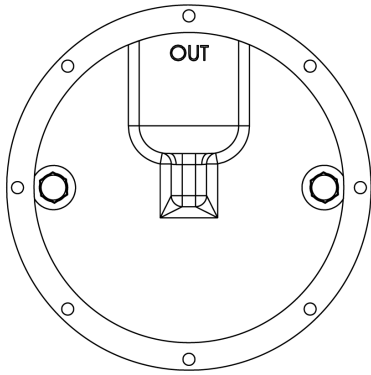


RAP441CC-23 & 441CC-23

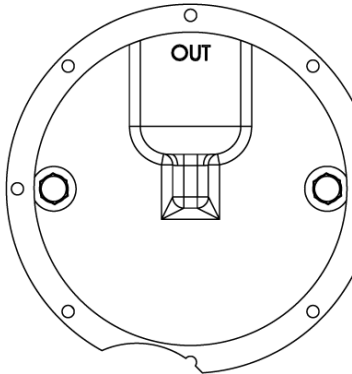
Dry Air Pump Rear End Identifiers

(Not to scale)

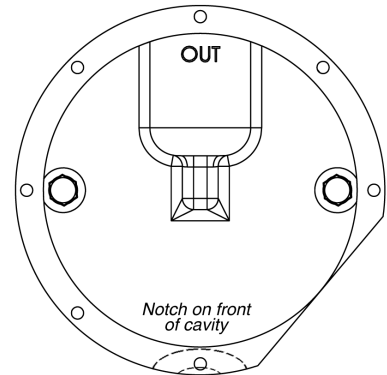
For Reference Only



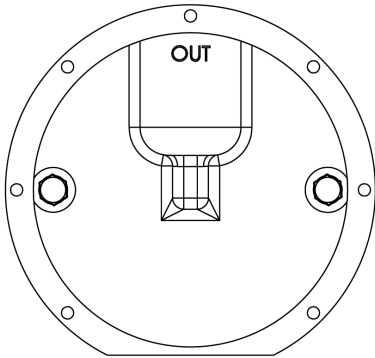
RAP442CW & 442CW



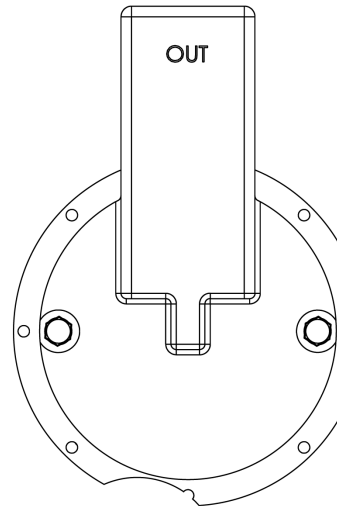
RAP442CW-4 & 442CW-4



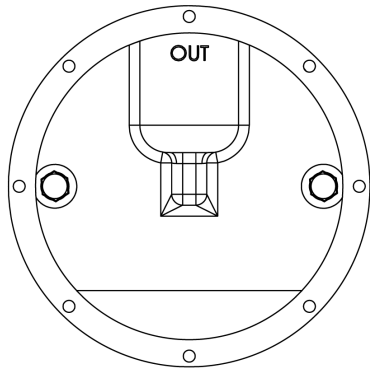
RAP442CW-6 & 442CW-6



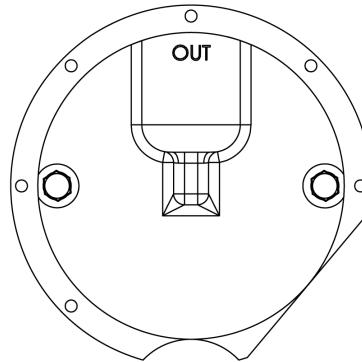
RAP442CW-8 & 442CW-8



RAP442CW-12 & 442CW-12



RAP442CW-14 & 442CW-14



RAP442CW20 & 442CW-20

NEW FAA PMA Approved Pneumatic Regulators



RA2H3-2: 5/8" Hose (Pump), 1/2" Hose (Instrument)



RA2H3-5: 5/8" Hose (Pump), 5/8" Hose (Instrument)



RA2H3-6: 5/8" Hose (Pump), 5/8" Hose (Instrument)



RA2H3-11 : Two AN-10A Fittings



RA2H3-12 : 5/8" Hose (Pump), two 3/8" Hose (Instrument)



RA2H3-15 : One AN-10A Fittings



RA2H3-19 : 5/8" Hose (Pump), two 3/8" Hose (Inst.) w/ Vac Switch



RA2H3-23 : 5/8" Hose (Pump), two 3/8" Hose (Instrument)



RA2H3-48 : AN-10A Fitting (Pump), 5/8" Hose (Inst.)

RAPCO, inc.

REPLACEMENT AIRCRAFT PARTS CO.

445 Cardinal Lane

Hartland, Wisconsin 53029 USA

For a list of Distributors, please call.

(262) 367-2292 Phone (262) 367-7158 Fax

www.rapcoinc.com

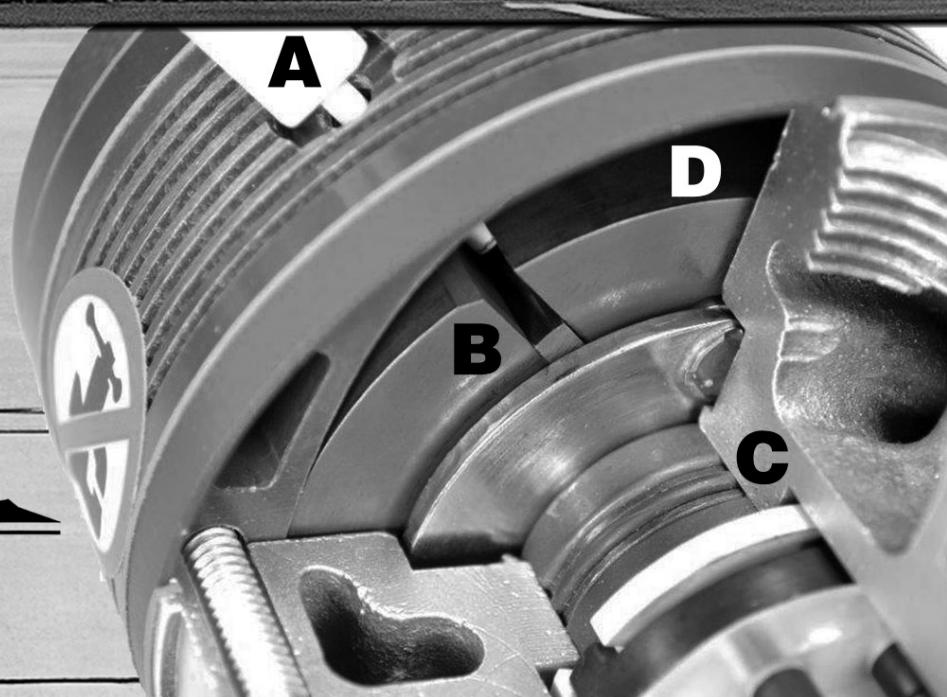


For Reference Only



Why choose a Rapco Pump?

- A.** Inspection port allowing for on-aircraft measurement
 - B.** Chamfered rotor allowing for small foreign objects to pass
 - C.** Oil seal to help prevent fluid contamination
 - D.** Mil-Spec coated cavity to reduce friction
- and of course it saves you and your customers money



1-800-527-2726
www.rapcoinc.com

RAPCO,inc. 
REPLACEMENT AIRCRAFT PARTS CO.

Pneumatic Fittings

FAA PMA Approved For Aircraft Pneumatic Instrument Systems

- Smooth curve design minimizes loss of vacuum or pressure over standard AN or MS fittings.
- Wide unrestricted passages help maintain flow rate at altitude.
- Less restriction on the pneumatic system which increases dry air pump service life.



RA1K1-6-10 Fitting, 90 degree, 3/8" NPT, 5/8" hose
Fits 200 thru 242 series dry air pump inlet ports.
Replaces - Airborne PN. 1K1-6-10



RA1K8-6-10 Fitting, 152 degree, 3/8" NPT, 5/8" hose
Fits 200 thru 242 series dry air pump outlet ports.
Replaces - Airborne PN. 1K8-6-10



RA1K10-6-10 Fitting, straight, 3/8" NPT, 5/8" hose
Fits 200 thru 242 series dry air pumps.
Replaces - Airborne PN. 1K10-6-10



RA1K1-4-6 Fitting, 90 Degree, 1/4" NPT, 3/8" hose
For instrument inlet and outlet ports.
Replaces - Airborne PN. 1K1-4-6



RA1K10-4-6 Fitting, straight, 1/4" NPT, 3/8" hose
For instrument inlet and outlet ports.
Replaces - Airborne PN. 1K10-4-6



RA1K31-4-6-4 Fitting, T, 1/4" NPT, 3/8" hose, 1/4" hose T
For instrument inlet and outlet ports with T for gauge.
Replaces - Airborne PN. 1K31-4-6-4

RAPCO, inc.

REPLACEMENT AIRCRAFT PARTS CO.

445 Cardinal Lane

Hartland, Wisconsin 53029 USA

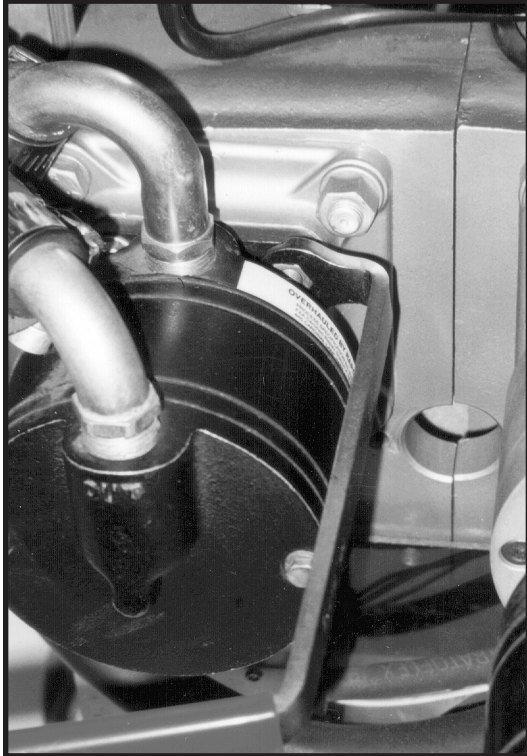
For a list of Distributors, please click on the document on the home screen or visit www.rapcoinc.com



For Reference Only

Pump Wrench

TOOL FOR THE REMOVAL AND INSTALLATION OF DRY AIR VACUUM PUMPS



- * **Provides superior access to vacuum pump flange nuts.**
- * **Quality hardened steel with corrosion resistant nickel plating.**
- * **Shaped to provide easy access to tight areas between the pump and accessories.**
- * **Plastic coated handle provides a firm grip.**

RAPCO,inc.

REPLACEMENT AIRCRAFT PARTS CO.

445 Cardinal Lane

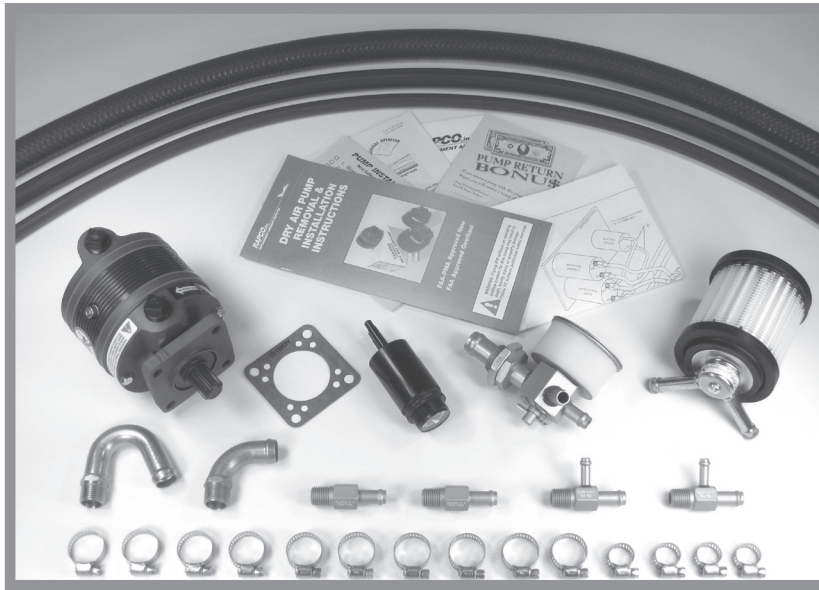
Hartland, Wisconsin 53029 USA

For a list of Distributors, please click on the document on the home screen or visit www.rapcoinc.com

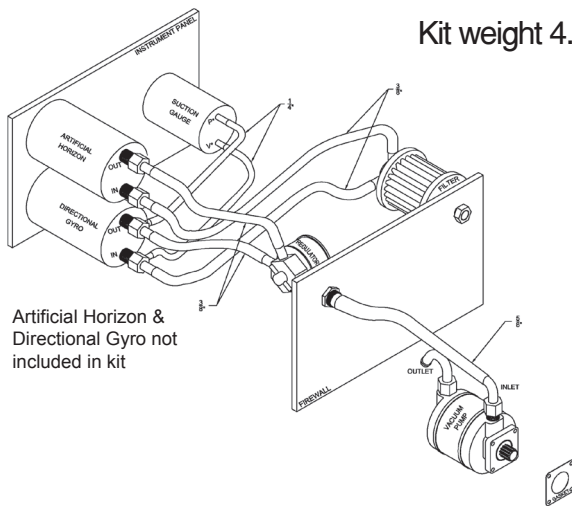


Vacuum System Kit

FOR EXPERIMENTAL AIRCRAFT



Kit weight 4.5lbs or 2.04kg



Application

RAPVAC-K1: For use on engines with counter-clockwise turning accessory drive

RAPVAC-K2: For use on engines with clockwise turning accessory drive

RAPVAC-K9: For use on Continental O-200-A thru -C engines

- | | | | |
|---|---|----|----------------------|
| 1 | RAP215CC or RAP216CW or RAP125CC-9
Vacuum Pump with Gasket | 1 | Suction guage |
| 1 | RA2H3-12 Vacuum Regulator with Garter Filter | 1 | 5/8" x 3' Hose |
| 1 | RA-1J7-1 Filter assembly | 1 | 3/8" x 5' Hose |
| 1 | RA1K1-6-10 90° 5/8" hose, 3/8" NPT pump fitting | 1 | 1/4" x 6' Hose |
| 1 | RA1K8-6-10 152° 5/8" hose, 3/8" NPT pump fitting | 4 | #4 Hose Clamp |
| 2 | RA1K31-4-6-4 3/8" and 1/4" hose, 1/4" NPT T-Fitting | 10 | #8 Hose Clamp |
| 2 | RA1K10-4-6 3/8" hose, 1/4" NPT Fitting | 1 | Installation Diagram |

RAPCO,inc.

REPLACEMENT AIRCRAFT PARTS CO.

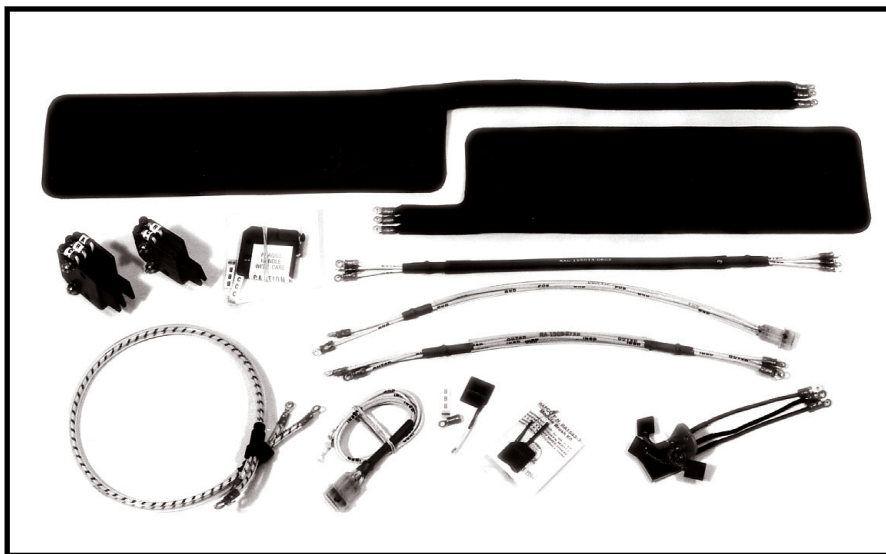
445 Cardinal Lane

Hartland, Wisconsin 53029 USA

For a list of Distributors, please click on the document on the home screen or visit www.rapcoinc.com

Replacement De-Ice Application Guide

FAA-PMA Approved De-icer, Wire Harness, and Brush Replacement Parts for BFG and McCauley Propeller De-Ice Systems



For reference only. For installation eligibility refer to the FAA-PMA Supplement.

Some aircraft models or particular serial numbers may have applications other than those listed in this guide. Consult the appropriate aircraft parts catalogue, maintenance manual or equipment list when selecting a part for installation. To convert a BFG part number to a RAPCO part number replace the 2E, 3E or 4E with RA and add 100 to the number. To convert a McCauley part number to a RAPCO simply add RA to the beginning of the part number.

RAPCO,inc.

REPLACEMENT AIRCRAFT PARTS CO.

445 Cardinal Lane

Hartland, Wisconsin 53029 USA

For a list of Distributors, please click on the document on the home screen or visit www.rapcoinc.com





FAA-PMA/EASA Approved De-icer, Wire Harness, and Brush Replacement Parts for BFG and McCauley Propeller De-Ice Systems

This Application Guide is to be used for reference only. All RAPCO part numbers begin with RA. OEM part numbers are shown for reference.

When selecting a part for installation consult the appropriate aircraft maintenance manual, parts catalogue, or equipment list for optional installations.

To convert a BFG part number to a RAPCO part number replace the 2E, 3E or 4E with RA and add 100 to the number.

To convert a McCauley part number to a RAPCO simply add RA to the beginning of the part number.

Refer to the FAA-PMA Supplement for installation eligibility.

Aircraft Manufacturer and Model Notes	Propeller Model	De-Icer / Prop Boot	Wire Harness & Hub Extender	Solid Block Assembly	Modular Brush Assembly	Brush Module (Quantity)	Brush (Quantity)
Aero Commander / Rockwell / Gulfstream / Twin Commander							
500 Aero Commander. w/ Colemill Conv.	HC-A3VF	RA38572					
	HC-A2XF-2			4E1387-3			RA1543-1 (2) & RA1543-2 (1)
500A	HC-A2XF-2				RA2142-1	RA2111U-ROD (3)	RA1543-7 (3)
				4E1350, -1			RA1306-1 (3)
				4E1350-4			RA1543-2 (3)
500A, w/ Colemill Conv. IO-520-E	HC-A3XF-2B				RA2146-2	RA2111U-ROD (3)	RA1543-7 (3)
				4E1387-3			RA1543-1 (2) & RA1543-2 (1)
500B, S, U, w/ 90 Amp Gen. w/ 70 Amp Gen. 500S SN. 3116 & up w/ 70 Amp or 100 Amp Alt.	HC-A3XK-2 / VK2 HC-A3VK-2 / VK2 HC-C3YR-2	4E2200-10	RA2067-2 RA2193-1		RA2142-1	RA2111U-ROD (3)	RA1543-7 (3)
				4E1350, -1			RA1306-1 (3)
				4E1350-4			RA1543-2 (3)
500B, U, w/ 50 or 90 Amp Gen.	HC-A3XK/VK2 HC-A3VK-2	4E2200-10	RA2193-1		RA2146-2	RA2111U-ROD (3)	RA1543-7 (3)
				4E1350, -1			RA1306-1 (3)
				4E1350-4			RA1543-2 (3)
560A, E 680, E 720	H83X20				RA2144-1	RA2111U-ROD (3)	RA1543-7 (3)
				4E1311, -1			RA1306-1 (2) & RA1306-2 (1)
				4E1311-2			RA1543-1 (2) & RA1543-2 (1)
560F 680F, FL, FP, FLP	HC-B3Z30-2B HC-A3MVK-2A	4E2200-10	RA2192-2		RA2142-1	RA2111U-ROD (3)	RA1543-7 (3)
				4E1387-1			RA1306-1 (2) & RA1306-2 (1)
				4E1387-5			RA1543-1 (2) & RA1543-2 (1)
680T, V, W, 681,	33LF-325	RA1288-10	4E2333-1		RA2142-1	RA2111U-ROD (3)	RA1543-7 (3)
				4E1387-1			RA1306-1 (2) & RA1306-2 (1)
				4E1387-5			RA1543-1 (2) & RA1543-2 (1)
685	HC-F3YN-2 HC-H3YN-2		RA2067-1		RA2144-1	RA2111U-ROD (3)	RA1543-7 (3)
				4E1387-5			RA1543-1 (2) & RA1543-2 (1)
					RA2142-1	RA2111U-ROD (3)	RA1543-7 (3)
690	HC-B3TN-5CL	4E1601-5	RA1989-2		RA2144-1	RA2111U-ROD (3)	RA1543-7 (3)
				4E1387-3, -5			RA1543-1 (2) & RA1543-2 (1)
690, A, B	HC-B3TN-5FL		RA1989-2		RA2142-1	RA2111U-ROD (3)	RA1543-7 (3)
				4E1387-5			RA1543-1 (2) & RA1543-2 (1)
					RA2142-1	RA2111U-ROD (3)	RA1543-7 (3)
690C, D 695, A	Dowty Rotol 324	4E2598-10	RA2469-1		RA2142-1	RA2111U-ROD (3)	RA1543-7 (3)
		4E1601-10					
700	HC-E3YR-2AF		RA2067-1	4E1639			RA1543-1 (2) & RA1543-2 (1)
720	HC-E4N-3P				RA2144-1	RA2111U-ROD (3)	RA1543-7 (3)
				4E1311, -1			RA1306-1 (2) & RA1306-2 (1)
				4E1311-2			RA1543-1 (2) & RA1543-2 (1)
Aerostar / Ted Smith Aerostar / Piper Aerostar							
600	HC-C3YR-2	4E2200-4	On Boot	4E1350-2			RA1306-1 (3)
601, 601P, 602P				4E1350-5			RA1543-2 (3)
PA-60-700P	Hartzell 3 Bl.		RA2150-2		RA2146-1	RA2111U-ROD (3)	RA1543-7 (3)
					RA2171	RA2111U-ROD (2)	RA1543-7 (2)

* Indicates an item not manufactured by RAPCO, Inc. On Boot means the lead is built into the boot.

For Reference ONLY. For installation eligibility see FAA-PMA supplement.



Aircraft Manufacturer and Model Notes	Propeller Model	De-Icer / Prop Boot	Wire Harness & Hub Extender	Solid Block Assembly	Modular Brush Assembly	Brush Module (Quantity)	Brush (Quantity)
Beech / Beechcraft / Raytheon / Hawker Beechcraft / Textron							
Beech 18	HC-B3			4E1311, -1			RA1306-1 (2) & RA1306-2 (1)
				4E1311-2			RA1543-1 (2) & RA1543-2 (1)
					RA2144-1	RA2111U-ROD (3)	RA1543-7 (3)
Beech 18, w/ Volpar Conv.		4E2200-10	RA1889-2 RA2192-2	4E1387-1			RA1306-1 (2) & RA1306-2 (1)
				4E1387-5			RA1543-1 (2) & RA1543-2 (1)
					RA2142-1	RA2111U-ROD (3)	RA1543-7 (3)
33, 35, 36, Bonanza w/ 14 Volt.	2A36C23/C82 3A32C76	4E2292-3	On Boot	4E1387-3, -5			RA1543-1 (2) & RA1543-2 (1)
					RA2142-1	RA2111U-ROD (3)	RA1543-7 (3)
F33A, F33C, Bonanza S35, V35A, Bonanza 36, A36, w/ 14 or 28 Volt	HC-F3YR-1RF	4E2292-2 4E2200-3			RA2171	RA2111U-ROD (2)	RA1543-7 (2)
F33A, 35-C33A A35B, S-35, V-35, A36TC, A36, B36TC, w/ 28 Volt.	PHC-C3YF-1RF	4E2200-2			RA2162-2	RA2111U-ROD (2)	RA1543-7 (2)
F33A, w/ McCauley	3A32C406/82NDB-X, D3A32C409/82NDB-X			C-40257			RAC40256-1 (1) & RAC40256-2 (1)
S-35, V-35 Bonanza	PHC-A3VF-4			4E1387-3, -5			RA1543-1 (2) & RA1543-2 (1)
					RA2142-1	RA2111U-ROD (3)	RA1543-7 (3)
V35, w/ 14 Volt.	2A36C82/C23 2A37C223	4E2200-2 4E2200-8			RA2162-2	RA2111U-ROD (2)	RA1543-7 (2)
V35B, w/ McCauley	3A32C406/82NDB-X, D3A32C409/82NDB-X			C-40257			RAC40256-1 (1) & RAC40256-2 (1)
A36, w/ Colemill Conv.	HC-C4YF-1E	4E2200-2			RA2162-2	RA2111U-ROD (2)	RA1543-7 (2)
A36, A36TC w/ Allison Turbine	HC-B3TF-7A	4E3048-10	3E2507-1		RA2162-2	RA2111U-ROD (2)	RA1543-7 (2)
A36, B36TC, w/ Hartzell Conv.	PHC-3CYF-1RF	4E2200-2			RA2162-2	RA2111U-ROD (2)	RA1543-7 (2)
A36, B36TC, w/ McCauley	3A32C406/82NDB-X, D3A32C409/82NDB-X			C-40257			RAC40256-1 (1) & RAC40256-2 (1)
E50, F50, G50, H50, Twin Bonanza 65, Queen Air	HC-B3T/B3Z	4E1270 4E2200-3	On Boot	4E-1311-2			RA1543-1 (2) & RA1543-2 (1)
					RA2144-1	RA2111U-ROD (3)	RA1543-7 (3)
E50, F50, J50, Twin Bonanza 65-80, 65-88, Queen Air	HC-B3T/B3Z	4E2200-3	On Boot	4E1311			RA1306-1 (2) & RA1306-2 (1)
				4E-1311-2			RA1543-1 (2) & RA1543-2 (1)
					RA2144-1	RA2111U-ROD (3)	RA1543-7 (3)
95-55 Series - see 95-55							
B55, E55, Baron	BHC-C2YF-2C	4E2271-10	RA2194-2	4E1387-5			RA1543-1 (2) & RA1543-2 (1)
					RA2142-1	RA2111U-ROD (3)	RA1543-7 (3)
B55, E55	PHC-C3YR-2	4E2271-10	RA2194-1	4E1387-5			RA1543-1 (2) & RA1543-2 (1)
					RA2142-1	RA2111U-ROD (3)	RA1543-7 (3)
B55, E55	CHC-C2YF-2C	4E2271-10	RA2194-1	4E1387-5			RA1543-1 (2) & RA1543-2 (1)
					RA2142-1	RA2111U-ROD (3)	RA1543-7 (3)
B55, E55	PHC-C3YF-2	4E2271-10	RA2194-1	4E1387-5			RA1543-1 (2) & RA1543-2 (1)
					RA2142-1	RA2111U-ROD (3)	RA1543-7 (3)
B55, E55, No A/C	BHC-C2YF-2C PHC-C3YF	4E2271-10	RA2150-2		RA2162-2	RA2111U (2)	RA1543-7 (2)
C55	2AF36C39 2AF34/C55				RA2142-1	RA2111U-ROD (3)	RA1543-7 (3)
					RA2142-2	RA2111U-ROD (3)	RA1543-7 (3)
C55, C55A, D55, D55A, E55, E55A, w/ McCauley	3AF32C504/82NEA-X			C-40463			RAC40464-1 (1) & RAC40464-2 (1)
C55, C55A, D55, D55A, E55, E55A, w/ McCauley	3AF32C504/82NEA-X			C-40593			RAC40256-1 (1) & RAC40256-2 (1)
E55, E55A, Baron, w/ McCauley	3AF32C512/82NEA-X			C-40257			RAC40256-1 (1) & RAC40256-2 (1)
E55, 58 Baron	PHC-J3YF-2 BCH-J2YF-2	4E2271-10	RA2150-2		RA2171	RA2111U (2)	RA1543-7 (2)
56TC, Baron,	HC-F3YR-2	4E2271-10	RA2194-1 RA2067-4	4E1639			RA1543-1 (2) & RA1543-2 (1)
56TC, Baron,	HC-F2YR-2		RA1656 Hub Ext.	4E1639			RA1543-1 (2) & RA1543-2 (1)

* Indicates an item not manufactured by RAPCO,Inc. On Boot means the lead is built into the boot.

For Reference ONLY. For installation eligibility see FAA-PMA supplement.



Aircraft Manufacturer and Model Notes	Propeller Model	De-icer / Prop Boot	Wire Harness & Hub Extender	Solid Block Assembly	Modular Brush Assembly	Brush Module (Quantity)	Brush (Quantity)
58, Baron	HC-J2YF-2C			4E1350-3			RA1306-2 (3) RA1543-7 (3)
58	PHC-3YF-2			4E1350-5	RA2146-1	RA2111U-ROD (3)	RA1543-2 (3) RA1543-7 (3)
58 Series	BCH-J2YF-2C		4E1967-5	4E1350-5			RA1543-2 (3)
	HC-J3YF-2UF	4E1601-10 4E2271-10	RA2067-3 RA2150-2		RA2146-3	RA2111U-ROD (3)	RA1543-7 (3)
58	PHC-J3YF-2	4E2271-10	RA2150		RA2171	RA2111U (2)	RA1543-7 (2)
58	D3AF32C35			4E1350-5			RA1543-2 (3) RA1543-7 (3)
58, 58A, 58P, 58PA, 58TC, 58TCA, w/ McCauley	3AF32C511/82NEA-X, 3AF32C512/82NEA-X			C-40257			RAC40256-1 (1) & RAC40256-2 (1)
58P, 58PA, 58TC, 58TCA, w/ McCauley, STC	3AF32C521/82NLA-X			C-40179			RAB40189
60, Duke Series	HC-F3YR-2	4E2271-10	RA2194-1 RA2067-4	4E1639			RA1543-1 (2) & RA1543-2 (1)
60, Duke	HC-F2YR-2		RA1656 Hub Ext.	4E1639			RA1543-1 (2) & RA1543-2 (1)
65, Queen Air w/ IO-720 Conv.	HC-A3VK-2A			4E1350-5			RA1543-2 (3)
65-80, 65-A88-8800, 65-B80, Queen Air 65-88, A65, 70, Queen Air					RA2146-1	RA2111U (3)	RA1543-7 (3)
65-90 King Air	HC-B3TN-2			4E1387, -1			RA1306-1 (2) & RA1306-2 (1)
				4E1387-5			RA1543-1 (2) & RA1543-2 (1)
					RA2142-1	RA2111U-ROD (3)	RA1543-7 (3)
65-90, 99, Airliner 100, King Air	HC-B3TN-3			4E1311, -1			RA1306-1 (2) & RA1306-2 (1)
		4E2200-10	RA2192-2	4E1311-2			RA1543-1 (2) & RA1543-2 (1)
					RA2144-1	RA2111U-ROD (3)	RA1543-7 (3)
65-90, 99, Airliner 100, 200, King Air	HC-B3TN-3		RA1989-2	4E-1311-2			RA1543-1 (2) & RA1543-2 (1)
					RA2144-1	RA2111U-ROD (3)	RA1543-7 (3)
90, King Air 99, Airliner 200	HC-B3TN-3	4E2271-10	RA2192-4		RA2190-1	RA2111U (2)	RA1543-7 (2)
A90, A90-1, A90-4, B90, C90 , (LJ-502 thru LJ-583), King Air, w/ McCauley	4HFR34C763/94LMA-X		RA40330	C-40257			RAC40256-1 (1) & RAC40256-2 (1)
C90 (LJ-584 and up), C90A, E90, w/ McCauley	4HFR34C762/94LMA-X	B-40245-52	RA40330	C-40257			RAC40256-1 (1) & RAC40256-2 (1)
C90A, w/ McCauley	4HFR34C768/94LMA-X	B-40245-56	RA40585	C-40257			RAC40256-1 (1) & RAC40256-2 (1)
C90A	HC-E4N-3N	4E2200-10	RA2192-2		RA2190-1	RA2111U-ROD (2)	RA1543-7 (2)
F90,	HC-B4TN-3	4E2200-10	RA2192-2, -3		RA2190-1	RA2111U-ROD (2)	RA1543-7 (2)
95-55, Baron 95-A55, 95-B55	3AF32C75			4E1387, -1			RA1306-1 (2) & RA1306-2 (1)
				4E1387-5			RA1543-1 (2) & RA1543-2 (1)
					RA2142-2	RA2111U-ROD (3)	RA1543-7 (3)
95-55, -A55, -B55, -B55A, -B55B, w/ McCauley	3AF32C504/82NEA-X			C-40463			RAC40464-1 (1) & RAC40464-2 (1)
99, 99A, A99, A99A, B99, C99	4HFR34C769/94LMA-X 4HFR34C773/94LMA-X	B-40245-56	RA40585	C-40179			RAB40189
A100	HC-B4TN-3		RA1989-3		RA2144-1	RA2111U-ROD (3)	RA1543-7 (3)
100, A100, King Air, w/ McCauley	4HFR34C762/94LMA-X	B-40245-52	RA40330	C-40257			RAC40256-1 (1) & RAC40256-2 (1)
A100-1 w/ McCauley	4HFR34C754/94LA-X	B-40245-52	RA40330	C-40257			RAC40256-1 (1) & RAC40256-2 (1)
B100, King Air	HC-B4TN-5C/F		RA1989-2	4E1387-5			RA1543-1 (2) & RA1543-2 (1)
		4E2200-10	RA2192-6		RA2142-1	RA2111U-ROD (3)	RA1543-7 (3)
					RA2162-2	RA2111U-ROD (2)	RA1543-7 (2)
B100 w/ McCauley (Phenolic Block)	5HFR34C1105/96LRB-X	B-40245-52	RA40585	C-40685			RAC40464-1 (1) & RAC40464-2 (1)
200, King Air	HC-E4N-3G	4E2271-10	RA2192-4		RA2190-1	RA2111U-ROD (2)	RA1543-7 (2)
200, 200C, 200T, 200CT, A200C, A200CT, B200, B200C, B200T, B200CT, C-12D, C-12F, FWC-12D, RC-12D, UC-12B Super King Air w/ McCauley (Phenolic Block)	5HFR34C1008/96LTA-0	B-40245-56	RA40585	C-40685			RAC40464-1 (1) & RAC40464-2 (1)

* Indicates an item not manufactured by RAPCO, Inc. On Boot means the lead is built into the boot.

For Reference ONLY. For installation eligibility see FAA-PMA supplement.



Aircraft Manufacturer and Model Notes	Propeller Model	De-Icer / Prop Boot	Wire Harness & Hub Extender	Solid Block Assembly	Modular Brush Assembly	Brush Module (Quantity)	Brush (Quantity)
200, 200C, 200T, 200CT, A200C, A200CT, B200, B200C, B200CT, B200T, C-12D, C-12F, FWC-12D, RC-12D, UC-12B, U-21J, w/ McCauley	4HFR34C754/94LA-X	B-40245-52	RA40330	C-40257			RAC40256-1 (1) & RAC40256-2 (1)
A200CT (RC-12K, RC-12L, RC-12N, RC-12P, RC-12Q) w/McCauley (Phenolic Block)	4JFR34C758/106LNA-X			C-40463			RAC40464-1 (1) & RAC40464-2 (1)
B200, B200C (C-12F, UC-12M), B200CT, B200T, w/ McCauley	3GFR34C702/100LA-X	B-40245-56	RA40330	C-40257			RAC40256-1 (1) & RAC40256-2 (1)
B200, B200C (C-12F, C-12R), B200CT, B200T, w/ McCauley	4HFR34C771/94LA-X	B-40245-56	RA40585	C-40257			RAC40256-1 (1) & RAC40256-2 (1)
B200C (C-12F), w/ McCauley	4HFR34C754/94LA-X		RA40330	C-40363			RAC40371-1 (1) & RAC40371-2 (1)
300 T-6 Texan II (Heavy Duty Brush Block)	HC-E4A-2A	RA2271-14	3E2360-5	4E3196-1			RA2620-1 (6)
300, 350, Super King Air	HC-B4MP-3	4E2575-7 4E2575-10	RA2117-8 RA2192-2		RA2190-1	RA2111U-ROD (2)	RA1543-7 (2)
1900 Airliner (Heavy Duty Brush Block)	HC-B4MP-3	4E2560-10	RA2192-2	4E3197-1	RA2190-3	RA2111U-ROD (2)	RA1543-7 (2) RA2620-1 (6)
1900D (Heavy Duty Brush Block)	HC-E4MP-3	4E3400-1 4E3017-1	RA2626-1	4E3196-1			RA2620-1 (6)
Bombardier - see de-Havilland							
British Aerospace - see Handley Page							
Britten-Norman / Pilatus Britten-Norman							
BN-2 Islander BN-2A Islander BN-2A Mark III Trilander BN-2A Left Prop with Air Conditioning	HC-C2YK-2B	4E2200-4	On Boot RA2150	4E1350-2 4E1350-5			RA1306-1 (3) RA1543-2 (3) RA1543-7 (3)
BN2T	HC-C3YF-2CF	4E2271-4 4E2271-10	RA2150 RA2150	4E1908-1 4E1350-2 4E1350-5 4E1908-1		RA2146-1 RA2111U (3)	RA1543-1 (3) RA1306-1 (3) RA1543-2 (3) RA1543-1 (3) RA1543-7 (3)
BN2T	HC-C3YF-5F	4E1301-1	RA2150		RA2162-2	RA2111U (2)	RA1543-7 (2)
CASA / Construcciones Aeronauticas							
C-212	HC-B3TN-5			4E1387-5			RA1543-1 (2) & RA1543-2 (1)
C-212-100	HC-B4TN-5EL	4E1601-5	RA1989-2	4E1387-5	RA2142-1	RA2111U-ROD (3)	RA1543-7 (3) RA1543-1 (2) & RA1543-2 (1)
C-212-200	HC-B4MN-5AL	4E2336-10 4E2336-12	RA2192-2 RA2192-2		RA2162-2	RA2111U-ROD (2)	RA1543-7 (3) RA1543-7 (2)
Cessna / Textron							
182S, 182T, T182T w/ McCauley	B3D36C442/80VSB-X, B3D36C432/80VSA-X			C-40660			RAC40522-1 (1)& RAC40522-2 (1)
TR182 Skylane	B2D34C214 2				RA2171	RA2111U-ROD (2)	RA1543-7 (2)
T182, TR182, w/ McCauley (Phenolic Block)	B2D32C407/82NDA-3			C-40010			RAB40012 (2)
T182, TR182, w/ McCauley (Thermoplastic Bk)	B2D32C407/82NDA-3			C-40179			RAB40189 (2)
T182T, w/ McCauley (Phenolic Block)	B3D36C442/80VSB-X, B3D36C432/80VSA-X			C-40010			RAB40012 (2)
T182T, w/ McCauley (Thermoplastic Block)	B3D36C442/80VSB-X, B3D36C432/80VSA-X			C-40179			RAB40189 (2)
206H, w/ Soloy Conv. T206H TU206G U206G	HC-C3YN-5A	4E2200-10 4E2271-10	RA2150 RA2150		RA2162-1	RA2111U-ROD (2)	RA1543-7 (2)
206H, T206H, w/ McCauley (Phenolic Block)	B3D36C442/80VSB-X, B3D36C432/80VSA-X			C-40010			RAB40012 (2)
206H, T206H, w/ McCauley	B3D36C442/80VSB-X, B3D36C432/80VSA-X			C-40179			RAB40189 (2)
206H, T206H, w/ McCauley	B3D36C442/80VSB-X, B3D36C432/80VSA-X			C-40660			RAC40522-1 (1) & RAC40522-2 (1)
TU206G, w/ McCauley (Phenolic Block)	D3A34C402/90DFA-X			C-40055			RAB40046
TU206G, w/ McCauley (Thermoplastic Block)	D3A34C402/90DFA-X			C-40187			RAB40193
208, 208A, 208B, Caravan	HC-B3MN-3 HC-B3MN-3 HC-B3TN-3AF/3AFY HC-D4N-3R	4E2336-12 4E2560-10 4E2560-10 4E2560-10	RA2192-2		RA2190-1	RA2111U-ROD (2)	RA1543-7 (2)
208, 208A, 208B, Caravan, w/ McCauley	3GFR34C703/106GA-X 4HFR34C775/96MGA-0	B-40245-54 B-40245-54	RA40531 RA40585	C-40257			RAC40256-1 (1) & RAC40256-2 (1)

* Indicates an item not manufactured by RAPCO,Inc. On Boot means the lead is built into the boot.

For Reference ONLY. For installation eligibility see FAA-PMA supplement.



Aircraft Manufacturer and Model Notes	Propeller Model	De-icer / Prop Boot	Wire Harness & Hub Extender	Solid Block Assembly	Modular Brush Assembly	Brush Module (Quantity)	Brush (Quantity)
210, w/ 14 Volt.	E2A34C70 D3A32C88			4E1387-4, -6			RA1543-1 (2) & RA1543-2 (1)
					RA2142-1	RA2111U-ROD (3)	RA1543-7 (3)
210, w/ 28 Volt	E2A34C70 D3A32C88	4E1188-2 4E1188-2	On Boot On Boot	4E1387-4, -6			RA1543-1 (2) & RA1543-2 (1)
					RA2142-1	RA2111U-ROD (3)	RA1543-7 (3)
210N, 210R, P210N, T210N, w/ McCauley (Phenolic Block)	D3A34C404/80VA-X, D3A34C402/90DFA-X			C-40055			RAB40046 (2)
210N, 210R, P210N, T210N, w/ McCauley (Thermoplastic Block)	D3A34C404/80VA-X, D3A34C402/90DFA-X			C-40187			RAB40193 (2)
P210R, T210R	D3A36C410/80VMB-X			C-40187			RAB40193 (2)
T303 w/ McCauley	3AF32C506/82NEA-X 3AF32C507/L82NEA-X			C-40187			RAB40193 (2)
310	PHC-C3YF-2UF PHC-J3YF-2UF	4E1601-10 4E1601-10	RA2067-3 RA2067-3	4E1294			RA1306-3 (3)
					RA2142-1	RA2111U-ROD (3)	RA1543-7 (3)
					RA2142-2	RA2111U-ROD (3)	RA1543-7 (3)
310 Series thru H	HC-A2XF-2 HC-A3VF-2 HC-A3MVf-2			4E1294			RA1306-3 (3)
					RA2142-1	RA2111U-ROD (3)	RA1543-7 (3)
					RA2142-2	RA2111U-ROD (3)	RA1543-7 (3)
310 Series J-P			RA2192-1	4E1294			RA1306-3 (3)
					RA2142-1	RA2111U-ROD (3)	RA1543-7 (3)
					RA2142-2	RA2111U-ROD (3)	RA1543-7 (3)
310C thru H, E310H, 310I, 310J-1	3AF32C528/82NEA-X			C-40179			RAB40189 (2)
310J, K, L, N, E310J	3AF32C512/82NEA-X			C-40187			RAB40193 (2)
310P, 310Q, w/ McCauley (Phenolic Block)	D2AF34C71/84JF-X			C-40055			RAB40046 (2)
310P, 310Q, w/ McCauley (Thermoplastic Bk)	3AF32C87/82NC-X			C-40187			RAB40193 (2)
310P, 310Q, w/ McCauley (Phenolic Block)	3AF32C504/82NEA-X			C-40055			RAB40046 (2)
w/ McCauley (Thermoplastic Block)				C-40187			RAB40193 (2)
310P, 310Q, w/ McCauley (Thermoplastic Bk)	3AF32C528/82NEA-X			C-40187			RAB40193 (2)
310R, w/ McCauley (Phenolic Block)	3AF32C504/82NEA-X			C-40055			RAB40046 (2)
w/ McCauley (Thermoplastic Block)				C-40187			RAB40193 (2)
310R, w/ McCauley (Thermoplastic Block)	3AF32C528/82NEA-X			C-40187			RAB40193 (2)
310R SN. 310R0938 - 310R2109 w/ McCauley			RA-C165013-0604				
T310P, T310Q, w/ McCauley (Phenolic Block)	D2AF34C71/84JF-X			C-40010			RAB40012 (2)
w/ McCauley (Thermoplastic Block)				C-40179			RAB40189 (2)
T310P, T310Q, w/ McCauley, Thermoplastic Bk.	3AF32C87/82NC-X			C-40179			RAB40189 (2)
T310P, Q, R, w/ McCauley (Phenolic Block)	3AF32C504/82NEA-X			C-40010			RAB40012 (2)
w/ McCauley (Thermoplastic Bk)				C-40179			RAB40189 (2)
T310P, Q, R, w/ McCauley (Phenolic Block)	3AF32C504/82NEA-X			C-40010			RAB40012 (2)
w/ McCauley (Thermoplastic Bk)				C-40179			RAB40189 (2)
T310P, T310Q, w/ McCauley, Thermoplastic Bk.	3AF32C528/82NEA-X			C-40187			RAB40193 (2)
320D, 320E, 320F, Skynght, w/ McCauley (Phenolic Block)	3AF32C504/82NEA-X, 3AF32C505/82NEA-X		RA2171-2	C-40010			RAB40012 (2)
320D, 320E, 320F, w/ McCauley (Thermoplastic Block)	3AF32C504/82NEA-X, 3AF32C505/82NEA-X		RA2171-2	C-40179			RAB40189 (2)
335 SN335-0001 and up, w/ McCauley			RA-C165013-0604				
336, 337 Series	D2AF34C59 D2AF34C300, C301			3E1387			RA1306-1 (2) & RA1306-2 (1)
				3E1387-5			RA1543-1 (2) & RA1543-2 (1)
					RA2142-1	RA2111U-ROD (3)	RA1543-7 (3)
340, 340A	PCH-C3YF-2UF PCH-C3YF-2UF	4E1601-10 4E1601-14	RA2067-3 RA2067-3				
340, 340A, w/ McCauley (Phenolic Block)	3AF32C504/82NEA-X, 3AF32C505/82NEA-X		RA2171-2	C-40010			RAB40012 (2)
340, 340A, w/ McCauley (Thermoplastic Block)	3AF32C504/82NEA-X, 3AF32C505/82NEA-X		RA2171-2	C-40179			RAB40189 (2)
340A S/N 340A0314-340A1215, w/ McCauley			RA-C165013-0604				
401, 401A, 401B w/ McCauley (Phenolic Block)	3AF32C504/82NEA-X, 3AF32C505/82NEA-X		RA2171-2	C-40010			RAB40012 (2)
401, 401A, 401B w/ McCauley (Thermoplastic Block)	3AF32C504/82NEA-X, 3AF32C505/82NEA-X		RA2171-2	C-40179			RAB40189 (2)
402 402A, 402B, 402C	3AF32C505		RA2192-3				
402, w/ AJI Conv.	HC-B3TF-7	4E2200-10	RA2192-3	4E1387-5			RA1543-1 (2) & RA1543-2 (1)
					RA2142-1	RA2111U-ROD (3)	RA1543-7 (3)
402, 402A, 402B, 402C, Businessliner, w/ McCauley (Phenolic Block)	3AF32C504/82NEA-X, 3AF32C505/82NEA-X			C-40010			RAB40012 (2)
402, 402A, 402B, 402C, w/ McCauley (Thermoplastic Block)	3AF32C504/82NEA-X, 3AF32C505/82NEA-X			C-40179			RAB40189 (2)
402B S/N 402B1238 & up, w/ McCauley			RA-C165013-0602				
402C S/N 402C0001 - 402C0406, w/ McCauley			RA-C165013-0604				
404, Titan, w/ McCauley (Phenolic Block)	3FF32C501/90UMB-X	RA2252-2		C-40010			RAB40012 (2)
404, w/ McCauley (Thermoplastic Block)	3FF32C501/90UMB-X	RA2252-2		C-40179			RAB40189 (2)

* Indicates an item not manufactured by RAPCO, Inc. On Boot means the lead is built into the boot.

For Reference ONLY. For installation eligibility see FAA-PMA supplement.

Aircraft Manufacturer and Model Notes	Propeller Model	De-icer / Prop Boot	Wire Harness & Hub Extender	Solid Block Assembly	Modular Brush Assembly	Brush Module (Quantity)	Brush (Quantity)
414A, Chancellor, w/ RAM Conv.	PCH-C3YF-2UF	4E1601-14	RA2067-3				
414, 414A, w/ McCauley (Phenolic Block) (Thermoplastic Block)	3AF32C505/82NEA-X		RA2171-2	C-40010 C-40179			RAB40012 (2) RAB40189 (2)
414, S/N 414-0950 & up, w/ McCauley			RA-C165013-0604				
414A S/N 414A0001-414A0607, w/ McCauley			RA-C165013-0604				
RAM 414-AW, w/ McCauley	3AF36C514/80VFA-X	RA2252-4	RA40585	C-40179			RAB40189 (2)
421, A, B, w/ McCauley (Phenolic Block) (Thermoplastic Block)	3AF37C516/90LFB-X		RA2192-1	C-40010 C-40179			RAB40012 (2) RAB40189 (2)
421C	PHC-C3YF-2UF	4E1601-14	RA2067-3				
421C, w/ McCauley (Phenolic Block) (Thermoplastic Block)	3FF32C501/90UMB-X	RA2252-4	RA2171-2	C-40010 C-40179			RAB40012 (2) RAB40189 (2)
425	HC-B3TN-3		4E1989-7		RA2144-1	RA2111U-ROD (3)	RA1543-7 (3)
425, w/ McCauley	3GFR34C701/93KB-X	RA2252-4		C-40179			RAB40189 (2)
425, w/ McCauley	4HFR34C762/94LMA-X	B-40245-52	RAB40330	C-40257			RAC40256-1 (1) & RAC40256-2 (1)
441	HC-B3TN-5	4E1188-6	RA1989-2	4E1311-3			RA1543-1 (2) RA1543-2 (1)
					RA2144-2	RA2111U-ROD (3)	RA1543-7 (3)
441, w/ Exec. Wings Conv.	HC-E4N-5	4E2271-10	RA2192-4		RA2190-2	RA2111U-ROD (2)	RA1543-7 (2)
441 w/ McCauley	3GFR34C601/93JA-X	B-40245-56	RAC165013-0604	C-40193			RAB40187 (2)
441, w/ McCauley (Phenolic Block)	4HFR34C661/90LNA-X		RA40585	C-40179			RAB40189 (2)
Daher - See Socata							
deHavilland / Bombardier / Viking Air Limited							
DHC-4 w/ Pen Turbo Conv.	HC-B5MA-3A				RA2190-2	RA2111U-ROD (2)	RA1543-7 (2)
DHC-6 Twin Otter	HC-B3TN-3		RA1989-2	4E1311-2			RA1543-1 (2) RA1543-2 (1)
DHC-6, w/ Raisbeck Conv.					RA2190-1	RA2111U-ROD (2)	RA1543-7 (2)
DHC-6-300, w/ Field Av. Conv.	HC-D4N-3A				RA2190-2	RA2111U-ROD (2)	RA1543-7 (2)
DHC-6-300 w/ McCauley	4HFR34C764/90LNA-X	B-40245-52	RA40330				
Dornier							
DO128-6	HC-B3TN-3D		RA1989-2		RA2144-1	RA2111U (3)	RA1543-5 (3)
DO228			RA2469-1		RA2142-1	RA2111U (3)	RA1543-5 (3)
Douglas							
DC3/C47, w/ U. S. Aircraft Conv.	Hartzell 5 Bl.		RA1989-4		RA2144-1	RA2111U-ROD (3)	RA1543-7 (3)
DC3-3C, w/ Basler Conv.	HC-B5MA-3	4E2595-7			RA2190-2	RA2111U-ROD (2)	RA1543-7 (2)
Embraer							
EMB110 P1, P2 Bandeirante	HC-B3TN-3		RA1989-2	4E1311-2	RA2144-1	RA2111U (3)	RA1543-1 (2) & RA1543-5 (3)
EME-120	HC-B4TN-3						
EMB121A1	HC-B4TN-3						
Evangel Air							
4300/300				4E1350-5			RA1543-2 (3)
					RA2146-1	RA2111U-ROD (3)	RA1543-7 (3)
Fairchild / Swearingen							
Merlin IIA, IIB	Hartzell 3 Bl.			4E1311, -1 4E1311-2			RA1306-1 (2) & RA1306-2 (1) RA1543-1 (2) & RA1543-2 (1)
					RA2144-1	RA2111U-ROD (3)	RA1543-7 (3)
SA26-T, -AT, SA226-T, -AT, -TC Metro	HC-B3TN-5 HC-B3TN-5C	4E2200-10	RA2192-2	4E1387-1 4E1387-5			RA1306-1 (2) & RA1306-2 (1) RA1543-1 (2) & RA1543-2 (1)
					RA2142-1	RA2111U-ROD (3)	RA1543-7 (3)
SA226-T, -AT, -TC	HC-B3TN-3			4E1311, -1 4E1311-2			RA1306-1 (2) & RA1306-2 (1) RA1543-1 (2) & RA1543-2 (1)
					RA2144-1	RA2111U-ROD (3)	RA1543-7 (3)
SA226-T, -AT, -TC	HC-B3TN-5C	4E2200-10	RA1989-2 RA2192-2	4E1387-5			RA1543-1 (2) & RA1543-2 (1)
					RA2142-1	RA2111U-ROD (3)	RA1543-7 (3)
SA226-T(B), SA227-AC, -TC, TT Metro	HC-B4TN-5EL	4E1601-5 4E1601-10 4E2271-10	RA1989-2 RA2469-1 RA2192-2		RA2142-1	RA2111U-ROD (3)	RA1543-7 (3)
SA227-AC, -AT, -BC, -CC, DC, SA227-AC, -AT, -BC, -CC, -DC, Metroliner w/ McCauley	4HFR34C652 4HFR34C652/L106LA-X				RA2142-1	RA2111U-ROD (3)	RAB40332 (2) RA1543-7 (3)
			RA40387	C-40331			RAB40332 (2)

* Indicates an item not manufactured by RAPCO, Inc. On Boot means the lead is built into the boot.

For Reference ONLY. For installation eligibility see FAA-PMA supplement.



Aircraft Manufacturer and Model Notes	Propeller Model	De-Icer / Prop Boot	Wire Harness & Hub Extender	Solid Block Assembly	Modular Brush Assembly	Brush Module (Quantity)	Brush (Quantity)
G.A.F. / Partenavia							
N-22B Nomad	HC-A3VF7		RA1989-2	4E1387-5			RA1543-1 (2) & RA1543-2 (1)
					RA2142-1	RA2111U-ROD (3)	RA1543-7 (3)
Gulfstream - see Grumman American or Aero Commander							
Handley Page / British Aerospace							
137 Jetstream	HC-B3TN-3D		RA1989-2	4E1311-2			RA1543-1 (2) & RA1543-2 (1)
					RA2144-1	RA2111U-ROD (3)	RA1543-7 (3)
Harbin							
Y1-11B	PHC-C3YF-2KUJF	4E2271-10	RA2150	3E2414-3			RA2426-3 (3)
					RA2144-1	RA2111U-ROD (3)	RA1543-7 (3)
Y-12	HC-B3TN-3B		RA1989-2	3E2414-3			RA2426-3 (3)
					RA2144-1	RA2111U-ROD (3)	RA1543-7 (3)
Hawker Beechcraft - see Beech							
Israel Aircraft							
101 Arava	HC-B3TN-3D		RA1989-2	4E1311-3			RA1543-1 (2) & RA1543-2 (1)
					RA2144-1	RA2111U-ROD (3)	RA1543-7 (3)
Korean Aerospace Industries							
KT-1	HC-B3TN-3C	3E2292-2			RA2190-1	RA2111U-ROD (2)	RA1543-7 (2)
Mitsubishi							
MU-2	HC-B3TN-5		RA2192-2 RA2192-2 RA1989-4 RA2192-2	4E1387-1			RA1306-1 (2) & RA1306-2 (1)
				4E1387-5			RA1543-1 (2) & RA1543-2 (1)
	HC-B4TN-5L	4E2200-10 RA1288-7 4E2271-10			RA2142-1	RA2111U-ROD (3)	RA1543-7 (3)
Mooney							
201 (M20J), w/ 14 Volt	B2D34C214	4E2351-4			RA2144-1	RA2111U-ROD (3)	RA1543-7 (3)
201 (M20J), w/ 28 Volt	B2D34C214	4E2200-4			RA2190-2	RA2111U-ROD (2)	RA1543-7 (2)
231 (M20K)	HO-V123	4E2351-3			RA2142-1	RA2111U-ROD (3)	RA1543-7 (3)
252 (M20K), w/ 28 Volt	2A34C216	4E2200-3			RA2162-2	RA2111U-ROD (2)	RA1543-7 (2)
M20K, w/ 14 Volt	PHC-J2YF-1B, or 2A34C216	4E2351-3			RA2142-1	RA2111U-ROD (3)	RA1543-7 (3)
M20M, w/ McCauley	B3D32C417/82NRD-X			C-40521			RAC40522-1 (1) & RAC40522-2 (1)
M20R, Ovation, w/ McCauley	3A32C418/82NRC-X			C-40257			RAC40256-1 (1) & RAC40256-2 (1)
Rocket M20L, M20M, M20R, w/ McCauley	3AF32C525/80VMFA-X		RA2171-2	C-40179			RAB40189 (2)
Partenavia - see Vulcanair or G.A.F.							
Pilatus Britten-Norman - see Britten Norman							
PC-6 Series	HC-B3TN-3	4E2200-10	RA1989-2 RA2192-2	4E1311-2			RA1543-1 (2) & RA1543-2 (1)
					RA2144-1	RA2111U-ROD (3)	RA1543-7 (3)
PC-7	HC-B3TN-3	4E2200-10	RA2192-2		RA2190-1	RA2111U-ROD (2)	RA1543-7 (2)
PC-7, PC-9	HC-D4N-2	4E2271-10	RA2192-4		RA2144-2	RA2111U-ROD (3)	RA1543-7 (3)
PC-12, PC-12/45, PC-12/47	HC-E4A-3D		RA2460-4 RA2460-4HD				
Piper / The New Piper Aircraft, Inc.							
PA-23, 250 Aztec, w/ 14 Volt	HC-E2YR-2B						
PA-23, 250 Aztec, w/ 28 Volt	HC-E2YR-2B			4E1515-3			RA1306-1 (3)
				4E1350-5			RA1543-2 (3)
					RA2146-1	RA2111U-ROD (3)	RA1543-7 (3)
PA-30, -39 Twin Comanche, w/ Miller Conversion	HC-C2YK-2	4E1314-4		4E1639			RA1543-1 (2) & RA1543-2 (1)
PA-31 Navajo / PA-31-350 Non-Pressurized							
Non Counter Rotating Propellers, both Props, or Left Prop on C/R Equipped Aircraft	HC-E2YR-2 BHC-3YR-2A	4E2271-10	RA1649 Hub Ext. RA2194-1	4E1350-2			RA1306-1 (3)
				4E1350-5			RA1543-2 (3)
Counter Rotating Right Propeller without A/C	HC-E3YR-2ALF, ALFT		RA1649 Hub Ext.	4E1350-2			RA1306-1 (3)
				4E1350-5			RA1543-2 (3)
					RA2146-1	RA2111U-ROD (3)	RA1543-7 (3)
Counter Rotating Right Prop. W/ Air Conditioning (Air Conditioning)	HC-E3YR-2ALF, ALFT			4E1908-1			RA1543-1 (3)

* Indicates an item not manufactured by RAPCO, Inc. On Boot means the lead is built into the boot.

For Reference ONLY. For installation eligibility see FAA-PMA supplement.



Aircraft Manufacturer and Model Notes	Propeller Model	De-Icer / Prop Boot	Wire Harness & Hub Extender	Solid Block Assembly	Modular Brush Assembly	Brush Module (Quantity)	Brush (Quantity)
PA-31 Series - Pressurized							
PA-31P (Pressurized)	HC-C3YN-2L	4E2200-10	3E2094-3*	4E1387-4, -6			RA1543-1 (2) & RA1543-2 (1)
					RA2142-1	RA2111U-ROD (3)	RA1543-7 (3)
PA-31T Cheyenne, PA-31T1 PA-31T2	HC-B3TN-3B		RA1989-2	4E1311-2			RA1543-1 (2) & RA1543-2 (1)
					RA2144-1	RA2111U-ROD (3)	RA1543-7 (3)
PA-31T1A, -31T2A Cheyenne, PA-31T3 T-1040 Commuter	HC-B3TN-3B	4E2200-10	RA2192-2		RA2190-1	RA2111U-ROD (2)	RA1543-7 (2)
PA-31T, PA-31T1, w/ McCauley	4HFR34C766/94LNA-X		RA40330	C-40179			RAB40189 (2)
PA-32-300, & 301 Cherokee 6/Saratoga	HC-E2YR-1B HC-E3YR-IRF HC-C2YK-1	4E2151-3 4E2351-3	On Boot On Boot	4E1639			RA1543-1 (2) & RA1543-2 (1)
PA-34-200 Seneca	HC-C2YK-2	(Left) 4E2303-10 (Left) 4E1692-10 (Right)	On Boot RA2235-5 On Boot RA2194-1	4E1908-1	RA2142-1	RA2111U-ROD (3)	RA1543-2 (3) RA1543-7 (3)
PA-34-200T	BHC-C2YF-2CLKF BHC-C2YF-2CLKF	4E1188-10 (Left) 4E1601-10 (Right)	4E2235-5 RA2067-3		RA2142-1	RA2111U-ROD (3)	RA1543-7 (3)
PA-34-200T, -220T, 14 Volt	BHC-C2YF-2CLKF BHC-C2YF-2CLKF	4E1214-10 (Left) 4E1895-10 (Right)	4E2235-5 RA2067-3	4E1387-5			RA1543-1 (2) & RA1543-2 (1)
					RA2142-1	RA2111U-ROD (3)	RA1543-7 (3)
PA-34-200T, -220T, 14 Volt	3AF34C502/503 or 3AF34C508/509	4E2303-10 (Left) 4E2292-10 (Right)	RA2194-1 RA2194-1		RA2162-2	RA2111U-ROD (2)	RA1543-7 (2)
PA-34-200T, -220T, 28 Volt	3AF34C502/503 or 3AF34C508/509	4E2271-10 (Left) 4E2200-10 (Right)	RA2192-5 RA2192-5		RA2162-2	RA2111U-ROD (2)	RA1543-7 (2)
PA-34-200T, -220T, 28 Volt	3AF32C522 3AF32C523	4E2271-10 (Left) 4E2200-10 (Right)	RA2192-5 RA2192-5		RA2162-2	RA2111U-ROD (2)	RA1543-7 (2)
PA-34-220T, 28 Volt	BHC-J2YF-2CUF BHC-J2YF-2CLUF	4E2271-10 (Left) 4E2200-10 (Right)	3E2150-1 3E2150-1		RA2162-2	RA2111U-ROD (2)	RA1543-7 (2)
PA-39 see PA-30							
PA42, Cheyenne, PA42 -720	HC-B3TN-3B		RA1989-2	4E1311-2			RA1543-1 (2) & RA1543-2 (1)
					RA2144-1	RA2111U-ROD (3)	RA1543-7 (3)
PA-42, PA-42-720, w/ McCauley	4HFR34C774/94LPA-X			C-40179			RAB40189 (2)
PA-44 -180 Seminole, W/ 2 Blade	HC-E2YR-2C HC-E2YR-2CL	4E2303-10 (Left) 4E2292-10 (Right)	RA2150 RA2150		RA2190-1	RA2111U-ROD (2)	RA1543-7 (2)
PA-44 -180 w/ 3 Blade Prop	HC-C3YR-2 HC-C3YR-2L	4E2303-10 (Left) 4E2292-10 (Right)	RA2150 RA2150		RA2190-1	RA2111U-ROD (2)	RA1543-7 (2)
PA-46	HC-B3TN-3ACX	4E3436-10	RA2192-2		RA2190-1	RA2111U-ROD (2)	RA1543-7 (2)
PA-46-310P Malibu	BHC-C2YF-1BF	4E2200-3			RA2171	RA2111U-ROD (2)	RA1543-7 (2)
PA-46-310P Malibu	PHC-G3YF-1E	4E3997-1			RA2171	RA2111U-ROD (2)	RA1543-7 (2)
PA-46-310P, -350P	HC-12YR-1BF	4E2200-3			RA2171	RA2111U-ROD (2)	RA1543-7 (2)
PA-46-310P, -350P	HC-E4N-3M	4E3462-1			RA2144-2	RA2111U-ROD (2)	RA1543-7 (2)
PA-46-350P Malibu Meridian	HC-13YR-1E	4E3997-1			RA2171	RA2111U-ROD (2)	RA1543-7 (2)
PA-60-700P - see Aerostar							
Raytheon - see Beech							
Rockwell - see Aero Commander							
Short Brothers							
SC7	HC-B3TN-5 HC-B4TN-5EL HC-B4TN-5EL	4E1601-5	RA1989-2 RA1989-2 RA1989-2	4E1387-1 4E1387-5			RA1306-1 (2) & RA1306-2 (1) RA1543-1 (2) & RA1543-2 (1)
					RA2142-1	RA2111U-ROD (3)	RA1543-7 (3)
SD3-30	HC-B5MP-3	4E2271-10	RA1989-4 RA2192-4	4E1311-3			RA1543-1 (2) & RA1543-2 (1)
					RA2144-1	RA2111U-ROD (3)	RA1543-7 (3)
SD3-60	HC-B5MP-3C	4E2595-7 4E2595-10	RA2117-4 RA2192-2		RA2190-1	RA2111U-ROD (2)	RA1543-7 (2)
SD3-60-300					3E2334-1		RA2620-1
SIAI-Marchetti							
S210	HC-C2YR-2B			4E1693			RA1543-1 (2) & RA1543-2 (1)
SF600TP	HC-B3TF-7A	4E2824-10	RA2192-2		RA2162-2	RA2111U-ROD (2)	RA1543-7 (2)
Socata - see Aerospatiael							
TBM-700	HC-4N-3	4E2271-10	RA2192-4		RA2144-1	RA2111U-ROD (3)	RA1543-7 (3)
Swearingen - see Fairchild							
Textron see Beech or Cessna							

* Indicates an item not manufactured by RAPCO, Inc. On Boot means the lead is built into the boot.

For Reference ONLY. For installation eligibility see FAA-PMA supplement.

Aircraft Manufacturer and Model Notes	Propeller Model	De-Icer / Prop Boot	Wire Harness & Hub Extender	Solid Block Assembly	Modular Brush Assembly	Brush Module (Quantity)	Brush (Quantity)
Turbolet							
L-410	HC-B3TN-3D		RA1989-2	4E1311-2			RA1543-1 (2) & RA1543-2 (1)
	HC-B4TN-3				RA2144-1	RA2111U-ROD (3)	RA1543-7 (3)
Twin Commander - see Aero Commander							
Viking Air Limited - see de-Havilland							
Vulcanair / Partenavia							
P68 Observer	HC-C2YK-2CUF HC-C3YK-2			4E1639	4E1639		RA1543-1 (2) & RA1543-2 (1)
P68TC	HC-B3TF-7A				RA2142-1	RA2111U-ROD (3)	RA1543-7 (3)
AP68TP	HC-B3TF-7	4E2200-10	RA2192-2		RA2162-1	RA2111U-ROD (2)	RA1543-7 (2)
AP68TP300			RA2192-2		RA2142-1	RA2111U-ROD (3)	RA1543-7 (3)

Part Numbers without RA are OEM numbers shown for reference only.

71921

For reference only. For installation eligibility refer to the FAA-PMA Supplement.

* Indicates an item not manufactured by RAPCO,Inc. On Boot means the lead is built into the boot.

RAPCO, inc. DE-ICE CROSS REFERENCE



RAPCO INC. DE-ICE CROSS REFERENCE GUIDE

FAA-PMA Approved Propeller De-icers, De-ice Brushes and Wire Harnesses

To convert a BFG part number to RAPCO replace 4E with RA and add 100. For McCauley simply add RA to the part number.

FAA-PMA Approved Propeller De-icers, De-ice Brushes, Wire Harnesses and Clamps

To convert a BFG part number to a RAPCO part number replace 2E, 3E or 4E with RA and add 100 to the number.

To convert a McCauley part number to a RAPCO simply add RA to the beginning of the part number.

De-icers & Alcohol Feed Shoe

Description	RAPCO	B.F.G.	Safeway	McCauley	Cessna	Hartzell
De-icer	RA1288-7	4E1188-7	6905			4H1188-7
De-icer	RA2252-2	4E2152-2	6205SW	B-40183-05		
De-icer	RA2252-4	4E2152-4	6553SW	B-40183-06		
Alcohol Feed Shoe	RA38572	37572		C-40323-81		37572

For reference only.

120219

Wire Harnesses, Hub Extender Leads & Clamp

Description	RAPCO	B.F.G.	Safeway	McCauley	Cessna	Hartzell
Wire Harness, Hub Extender Lead						
Hub Extender Lead	RA1649	3E1549				
Hub Extender Lead	RA1656	3E1556				
Wire Harness	RA1989-2	4E1889-2				4H1889-2
Wire Harness	RA1989-3	4E1889-3	6959			4H1889-3
Wire Harness	RA1989-4	4E1889-4	6871			4H1889-4
Wire Harness	RA2067-1	4E1967-1	6962			4H1967-1
Wire Harness	RA2067-2	4E1967-2	6963			4H1967-2
Wire Harness	RA2067-3	4E1967-3	6964			4H1967-3
Wire Harness	RA2067-4	4E1967-4	6965			4H1967-4
Wire Harness	RA2117-4	3E2017-4	6881			3H2017-4
Wire Harness	RA2117-8	3E2017-8	6951			3H2017-8
Wire Harness	RA2150	3E2050	6960			3H2050
Wire Harness	RA2150-2	3E2050-2	6961			3H2050-2
Wire Harness	RA-C165013-0602	4E2071-1	6260SW-1	B-40276-A	C165013-0602	
Wire Harness	RA2171-2	4E2071-2				
Wire Harness	RA-C165013-0604	4E2071-3	6479SW	B-5051	C165013-0604	103767
Wire Harness	RA2192-1	3E2092-1	7022			
Wire Harness	RA2192-2	3E2092-2	6887			
Wire Harness	RA2192-3	3E2092-3	6952			
Wire Harness	RA2192-4	3E2092-4	6834			
Wire Harness	RA2192-5	3E2092-5	6953			
Wire Harness	RA2192-6	3E2092-6	6954			
Wire Harness	RA2194-1	3E2094-1	6955			
Wire Harness	RA2194-2	3E2094-2	6956			
Wire Harness	RA2194-3	3E2094-3	6993			
Wire Harness	RA40387	3E2293-1	6875SW	B-40387		103764
Wire Harness	RA2460-4HD	3E2360-4				
Wire Harness w/ Clamps	RA2460-4	3E2360-4				3H2360-4
Wire Harness	RA2469-1	4E2369-1	6987			4E2369-1
Wire Harness	RA2469-2	4E2369-2	6941			4E2369-2
Wire Harness	RA2626-1	3E2526-1				3H2526-1
Wire Harness	RA40330		6719SW	B-40330		103763
Wire Harness	RA40531			B-40531		103765
Wire Harness	RA40585			B-40585		103766

Clamp

Clamp	RATA1720SS-4T	TA1720SS4T		7931-172004		
-------	---------------	------------	--	-------------	--	--

For reference only.

71921

RAPCO, inc. DE-ICE CROSS REFERENCE



Brushes & Accessories

Description	RAPCO	B.F.G.	Safeway	McCauley	Piper	Hartzell
B.F.G. Style						
Deice Brush with rod	RA1306-1	3E1206-1			753-427	
Deice Brush with rod	RA1306-2	3E1206-2				
Deice Brush with rod	RA1306-3	3E1206-3				
Nylon Spacer	RA1360	2E1260			758-102	
Deice Brush	RA1543-1	3E1443-1			758-175	
Deice Brush	RA1543-2	3E1443-2				
Deice Brush Kit (-4 brush)	RA1543-5	3E1443-5				
Deice Brush Kit (-6 w/rod)	RA1543-7	3E1443-7				
Wear Strip	RA2040-1	2E1940-1				
Universal Module	RA2111U	3E2011-1 thru -6 & -8				
Universal Module, w/ rod	RA2111U-ROD	3E2011-1 thru -5 & -10				
Modular Assembly	RA2142-1	3E2042-1				3H2042-1
Modular Assembly	RA2142-2	3E2042-2				3H2042-2
Modular Assembly	RA2144-1	3E2044-1				3H2044-1
Modular Assembly	RA2144-2	3E2044-2				3H2044-2
Modular Assembly	RA2146-1	3E2046-1				3H2046-1
Modular Assembly	RA2146-2	3E2046-2				3H2046-2
Modular Assembly	RA2146-3	3E2046-3				3H2046-3
Modular Assembly	RA2162-1	3E2062-1				3H2062-1
Modular Assembly	RA2162-2	3E2062-2				3H2062-2
Modular Assembly	RA2171	3E2071				
Modular Assembly	RA2190-1	3E2090-1				3H2090-1
Modular Assembly	RA2190-2	3E2090-2				3H2090-2
Modular Assembly	RA2190-3	3E2090-3				
Module Spacer	RA2318-3	4E2218-3				
Module Spacer	RA2318-4	4E2218-4				
Module Spacer	RA2318-5	4E2218-5				
Module Spacer	RA2318-6	4E2218-6				
Deice Brush	RA2426-1 sold as -2	3E2326-1				
Deice Brush Kit (CF)	RA2426-2	3E2326-2				
Deice Brush Kit (HD)	RA2620-1	3E2522-1				
McCauley Style						
Brush and Holder Assy.	RAB40012			B-40012		
Brush and Holder Assy.	RAB40046			B-40046		
Brush and Holder Assy.	RAB40189			B-40189		
Brush and Holder Assy.	RAB40193			B-40193		
Brush and Holder Assy.	RAB40332			B-40332		
Brush and Holder Assy.	RAC40256-1			C-40256-1		
Brush and Holder Assy.	RAC40256-2			C-40256-2		
Brush and Holder Assy.	RAC40371-1			C-40371-1		
Brush and Holder Assy.	RAC40371-2			C-40371-2		
Brush and Holder Assy.	RAC40464-1			C-40464-1		
Brush and Holder Assy.	RAC40464-2			C-40464-2		
Brush and Holder Assy.	RAC40522-1			C-40522-1		
Brush and Holder Assy.	RAC40522-2			C-40522-2		

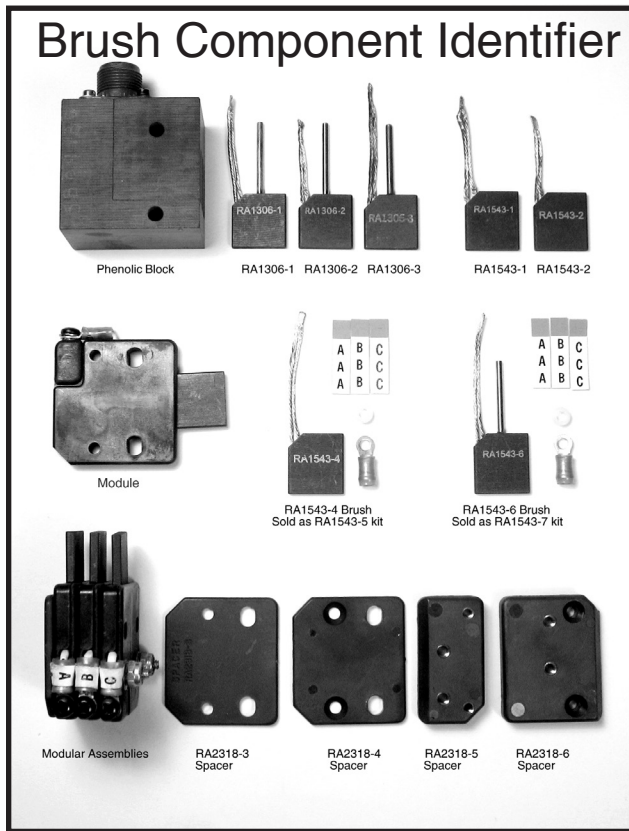
For reference only.

61920



MISC. DE-ICE INFO

Replacements for BFG Style brush blocks: To convert BFG to Rapco part number, drop prefix and add RA plus 100 to part number



Brush Block Assy	Qty	Brush	Location
4E1294	3	RA1306-3	All
4E1311-1	2	RA1306-1	Top & Bottom
	1	RA1306-2	Middle
4E1311-2	2	RA1543-1	Top & Bottom
	1	RA1543-2	Middle
4E1311-3	2	RA1543-1	Top & Bottom
	1	RA1543-2	Middle
4E1350-1	3	RA1306-1	All
4E1350-2	3	RA1306-1	All
4E1350-3	3	RA1306-2	All
4E1350-4	3	RA1543-2	All
4E1350-5	3	RA1543-2	All
4E1350-6	2	RA1543-2	Top & Bottom
	1	RA1543-1	Middle
4E1387-1	2	RA1306-1	Top & Bottom
	1	RA1306-2	Middle
4E1387-2	2	RA1306-1	Top & Bottom
	1	RA1306-2	Middle
4E1387-3, 4E1387-5	2	RA1543-1	Top & Bottom
	1	RA1543-2	Middle
4E1387-4, 4E1387-6	2	RA1543-1	Top & Bottom
	1	RA1543-2	Middle
4E1560-2	3	RA1306-3	All
4E1639	2	RA1543-1	Top & Bottom
	1	RA1543-2	Middle
4E1749-2	2	RA1543-1	Both
4E1908-1	3	RA1543-1	All

Subject: How to measure brush

wear in Modular Assembly

Insert a 3/32 inch drill bit into the back of the RA2111U Universal module (as shown) and mark the depth on the drill.

Note: Make sure module is still installed, or that the Brush is protruding from module at the same distance as it would be installed on the slip ring (Approx. 1/16 Inch). Using a dial caliper measure the length of insertion (Dim. "D").

Module Type

Rodded Module:

Brush # RA1543-6

Unrodded Module:

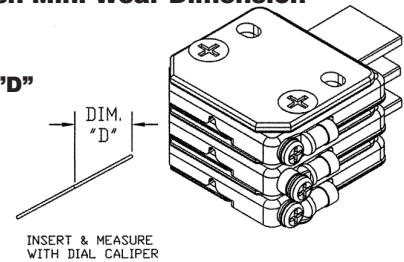
Brush # RA1543-4

Brush Min. Wear Dimension

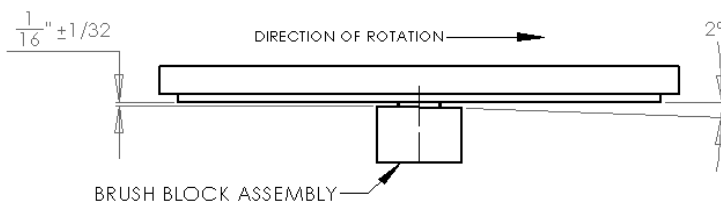
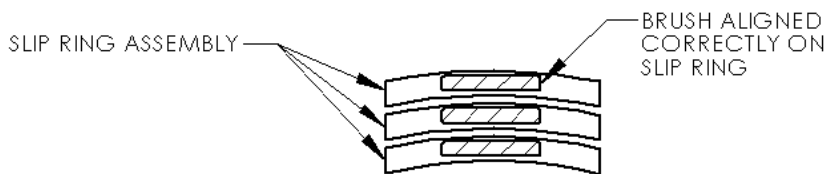
Dimension "D"

0.295 Inch

1.140 Inch



Propeller De-Ice Brush Alignment



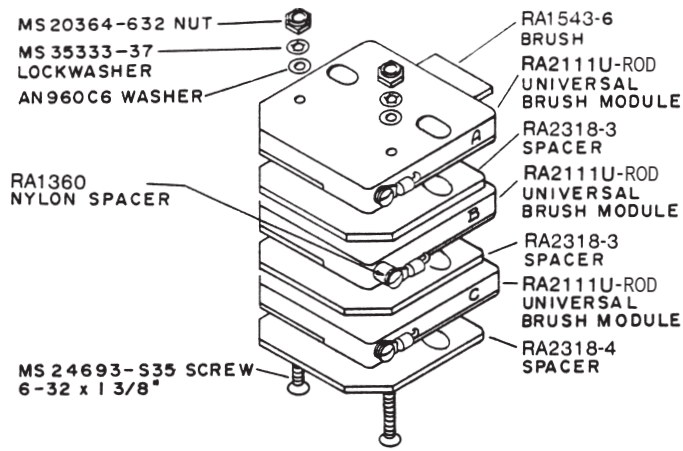
CENTER BRUSHES ON SLIP RING
THE FULL THICKNESS OF EACH BRUSH FACE MUST CONTACT THE SLIP RING THROUGHOUT 360° OF ROTATION.

Before installing new de-ice brushes make sure the slip rings are clean and free of any oil. Check to see that the slip rings are smooth and have not separated from the potting material.

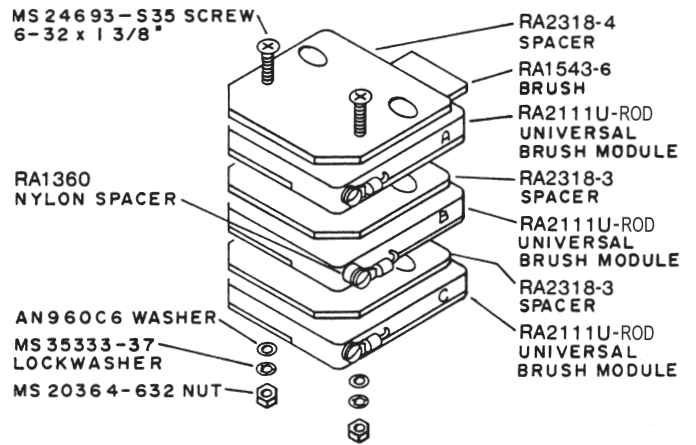
Proper brush alignment is important to prevent the brush from grounding and to maximize brush life.

1. Make sure that each carbon brush is adjusted so that it is centered on its respective slip ring.
2. The brush modular assembly should be positioned so that it sits at a 2 degree angle lagging the direction of rotation, and 1/16" away from the slip ring at its closest point.

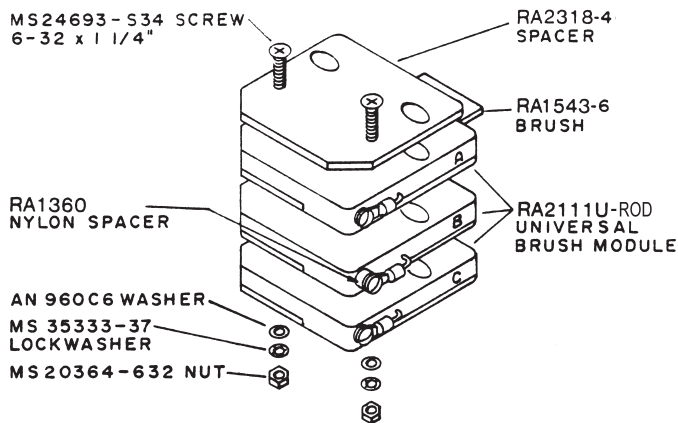
RA2142-1



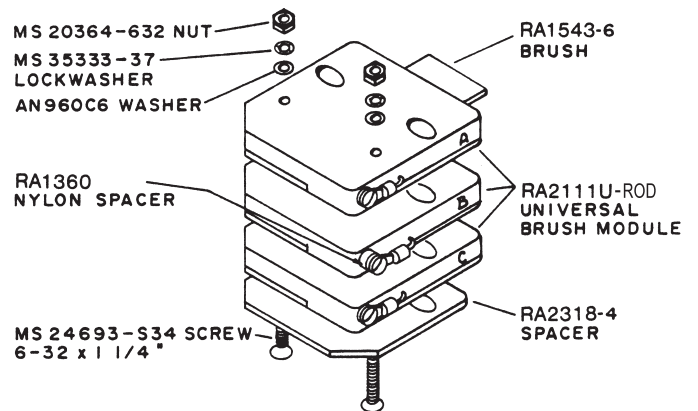
RA2142-2



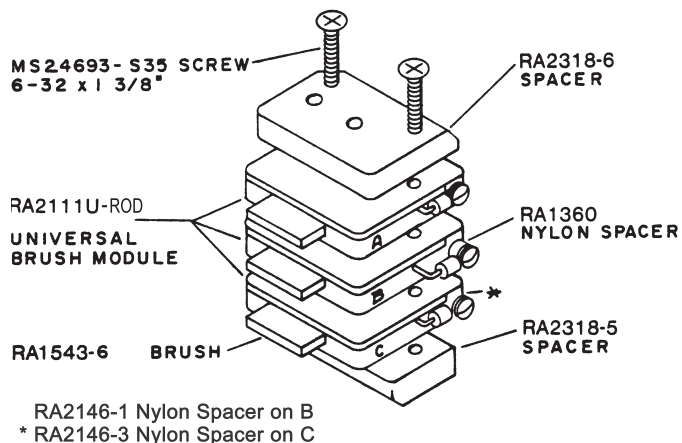
RA2144-1



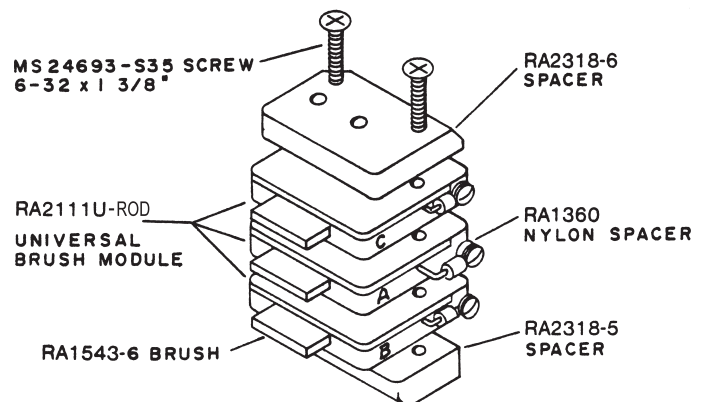
RA2144-2



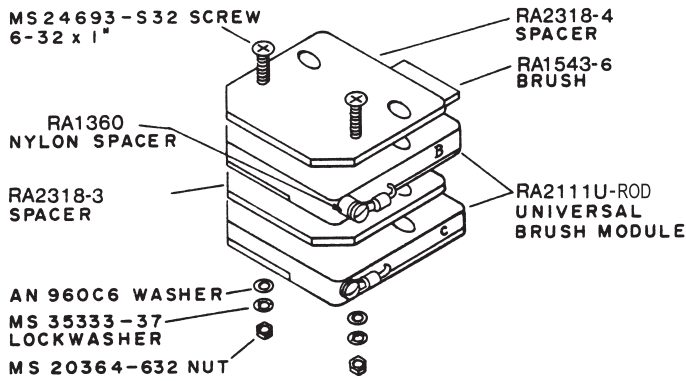
RA2146-1 & 3



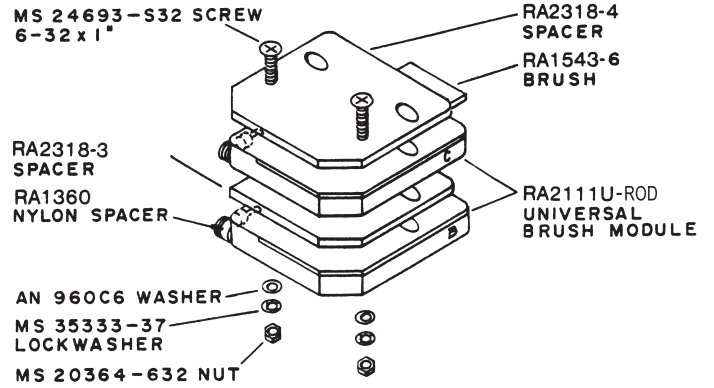
RA2146-2



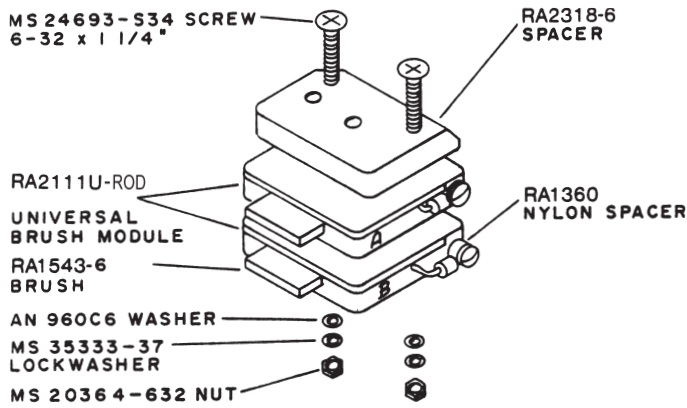
RA2162-1



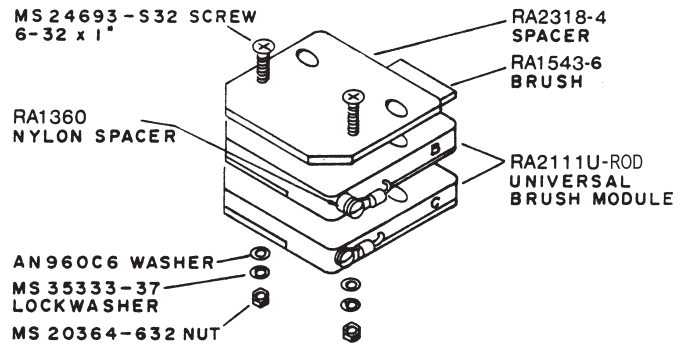
RA2162-2



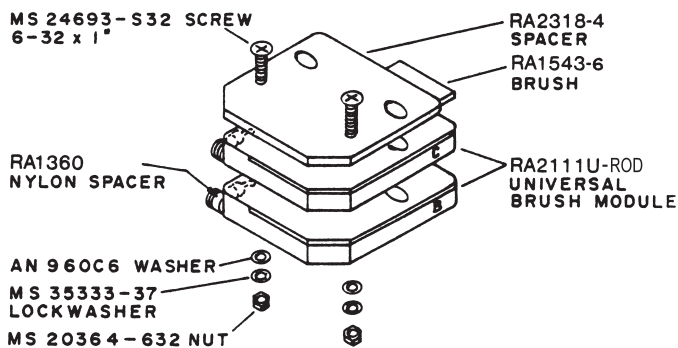
RA2171



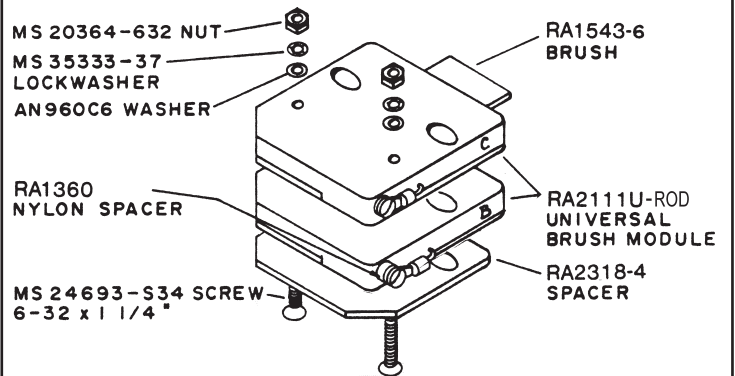
RA2190-1



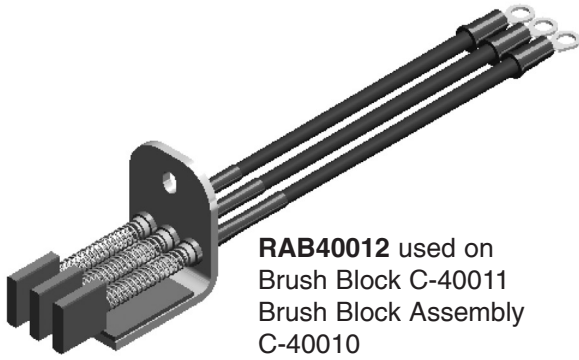
RA2190-2



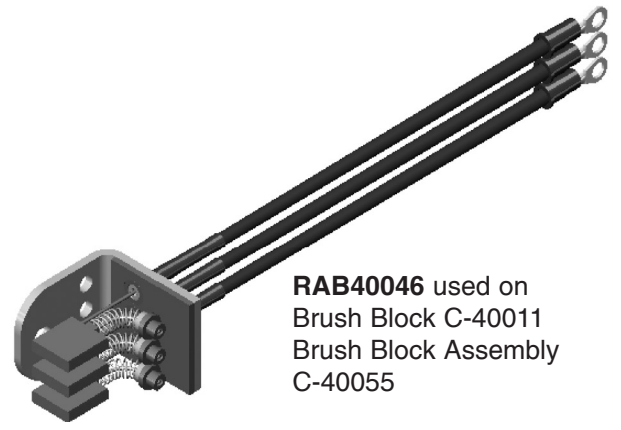
RA2190-3



McCauley De-Ice Brush & Holder Assembly



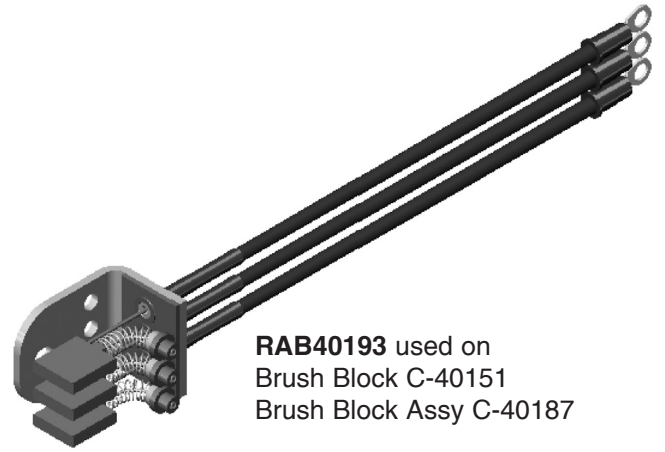
RAB40012 used on
Brush Block C-40011
Brush Block Assembly
C-40010



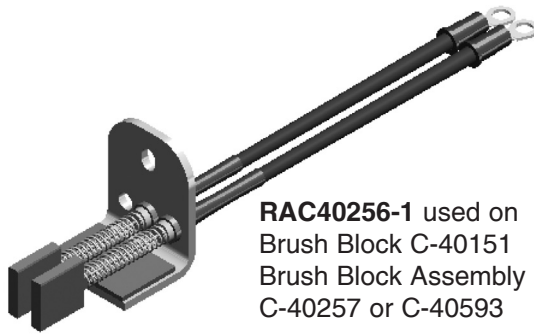
RAB40046 used on
Brush Block C-40011
Brush Block Assembly
C-40055



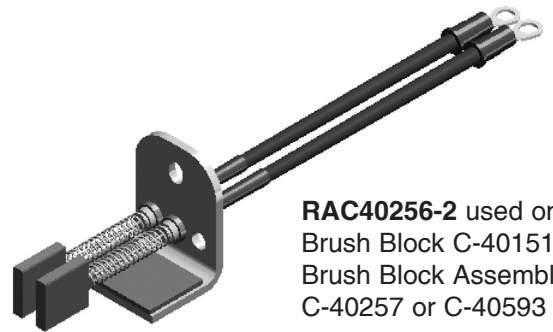
RAB40189 used on
Brush Block C-40151
Brush Block Assembly
C-40179



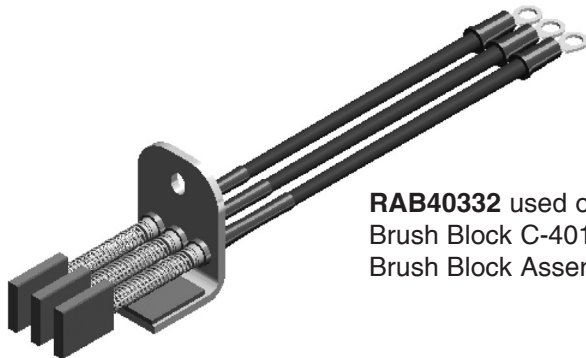
RAB40193 used on
Brush Block C-40151
Brush Block Assy C-40187



RAC40256-1 used on
Brush Block C-40151
Brush Block Assembly
C-40257 or C-40593



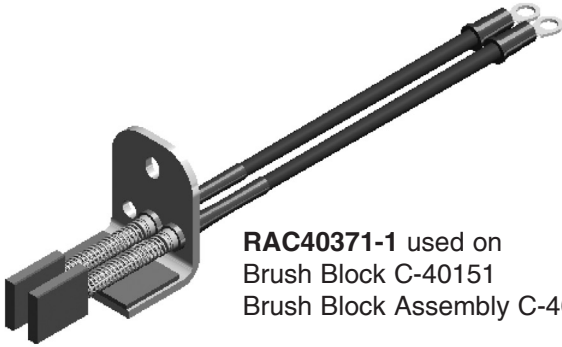
RAC40256-2 used on
Brush Block C-40151
Brush Block Assembly
C-40257 or C-40593



RAB40332 used on
Brush Block C-40151
Brush Block Assembly C-40331



McCauley De-Ice Brush & Holder Assembly



RAC40371-1 used on
Brush Block C-40151
Brush Block Assembly C-40363



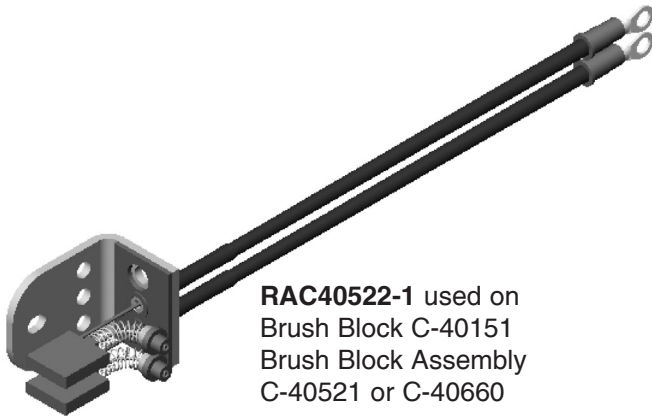
RAC40371-2 used on
Brush Block C-40151
Brush Block Assembly C-40363



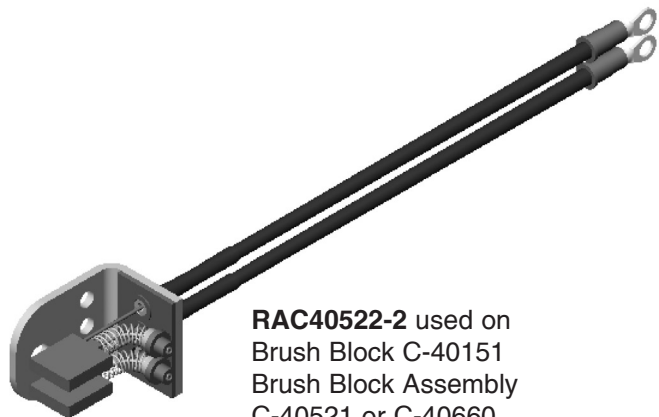
RAC40464-1 used on
Brush Block C-40411
Brush Block Assembly
C-40463 or C-40685



RAC40464-2 used on
Brush Block C-40411
Brush Block Assembly
C-40463 or C-40685



RAC40522-1 used on
Brush Block C-40151
Brush Block Assembly
C-40521 or C-40660



RAC40522-2 used on
Brush Block C-40151
Brush Block Assembly
C-40521 or C-40660

FAA-PMA Approved General Aviation Brake Components Application Guide



FAA-PMA Approved Brake Discs, Linings, Rivets, Pressure Plates and Assemblies, Shim Insulators and Mounting Pins Replacements for Cleveland and McCauley Wheel and Brake Assemblies

Section 1: Type Certified Aircraft page 42
 Section 2: Kit Planes page 56
 Section 3: Experimental Aircraft page 57
 Section 4: Float Plane Brakes page 57
 Section 5: McCauley & Cessna Brake Disc Comparison Guide page 58
 Section 6: Brake Component Cross Reference page 61

For reference only. For installation eligibility refer to the FAA-PMA Supplement.
 Some aircraft models or particular serial numbers may have applications other than those listed in this guide.
 Consult the appropriate aircraft parts catalogue, maintenance manual or equipment list when selecting a part for installation.
 To convert an original equipment part number to a RAPCO part number, add RA to the beginning of the number.

RAPCO,inc.



REPLACEMENT AIRCRAFT PARTS CO.

445 Cardinal Lane
 Hartland, Wisconsin 53029 USA
 For a list of Distributors, please click on the document on the
 home screen or visit www.rapcoinc.com



**FAA-PMA Approved: Brake Disc, Drive Keys, Mounting Pins, Linings, Overhaul Kits, Rivets, Pressure Plates, Shim Insulators, Wear Pads
Replacements for Cleveland and McCauley Wheel and Brake Assemblies**

This Application Guide is to be used for reference only.

When selecting a part for installation consult the appropriate aircraft maintenance manual, parts catalogue, or equipment list for optional installations.

To convert an original equipment part number to a RAPCO part number, add RA to the beginning of the number.

Refer to the FAA-PMA Supplement for installation eligibility.

Sections:

Section 1: Type Certificated Aircraft

Section 2: Kit Planes

Section 3: Experimental Aircraft

Section 4: Float Plane Brakes

Section 5: McCauley Brake Disc Cross Reference and Comparison Guides

Section 6: McCauley Brake Disc Dimensions

Section 1:

Type Certificated Aircraft

Manufacturer Model	Year / Serial Number Notes	Conv/Mod Kit #	Wheel Assembly	Brake Disc	Brake Assembly	Lining	Linings Per Wheel	Rivet or Mounting Pin	Shim Insulators	Pressure Plate
Aero Commander / Rockwell / Gulfstream / Twin Commander										
100-180 Lark	Conversion Kit 6.00-6	199-188	40-86A	RA164-02000	30-56F	RA066-10500	2	RA105-00200		RA063-01200
500, 5500A, 500B, 500S, 500U, Aero Commander	Conversion Kit, 8.50-10	199-122	40-198	RA164-22000	30-159B	RA066-09000	8	RA105-00200 RA177-01600		
	Conversion Kit, 8.50-10	199-122A	40-198	RA164-22000	30-159C	RA066-09000	8	RA105-00200 RA177-01600		
560F, 680F, 680FL, 680FL(P), 680T, 680V, 680W, 681, 685, 690, 690A, 690B, 690C, 690D, 695, 685A, 695B	Conversion Kit, 8.50-10	199-80	40-107A	RA164-07200	30-107E	RA066-09000	8	RA105-00200 RA177-01600		
	Conversion Kit, 8.50-10	199-80A	40-107A	RA164-07200	30-107D	RA066-09000	8	RA105-00200 RA177-01600		
690B, 690C, 695, 695A, 840, 980, 1000	1980 and on		40-107A	RA164-07200	30-107 30-107B 30-107A 30-107, B, C 30-107A, D	RA066-09000	8	RA105-00200 RA177-01600		
700			40-128C	RA164-05006	30-93A	RA066-02200	6	RA177-00300		
Aerospatiale - see Daher										
Aerofab - see Lake										
Aermacchi - see Siah Marchetti										
Aerostar / Ted Smith Aerostar / Piper Aerostar										
600, 601, 601P, 602P, 700P, PA-60-600, 600A, -601B PA-60-601P, -602P, -700P	171 and on		40-124	RA164-05006	30-88	RA066-02200	8	RA177-00300	RA068-01700	
	1975 and on									
Agusta / Caproni Vizzola - also see Siah Marchetti										
C22J			40-151	RA164-08500	30-133	RA066-10500	2	RA105-00200		
					30-164	RA066-06200	2	RA177-00300		
Agusta Westland / Leonardo-Finmeccanica										
AW169			40-481	RA164-21000	30-290, 30-321	RA066-09100 (PP) RA066-09100 (BP)	1 1		RA068-04100	
Air Tractor										
AT-300	8.50-10 Tire		40-101	RA164-03006	30-67X	RA066-10800	4	RA105-00200		
AT-301, -302, -302A, AT-400A	8.50-10 Tire		40-101	RA164-03006	30-89	RA066-10800	6	RA105-00200		RA063-01300
AT-400, -402, AT-501, -502, -503, -503A	29x11.00-10 Tire		40-133	RA164-05806	30-98C	RA066-10800	12	RA105-00200		RA063-01300
AT-401, -401A	Pressure Plate Assy. >		40-234	RA164-05606	30-184	RA066-10800	8	RA105-00200		RA063-02500 RA073-02600
AT-602			40-403	RA164-22202	30-231	RA066-06600	12	RA177-01600	RA068-01600	
AT-802, -802A			40-279	RA164-23000	30-210	RA066-13100	16	RA105-06700		
			40-279A	RA164-23001	30-210	RA066-13100	16	RA105-06700		
			40-279A	RA164-23002	30-210A	RA066-13100	16	RA105-06700		
Allied Ag Cat / Grumman										
G164 Ag Cat	1 thru 399, 8.50-6		40-47		30-32C	RA066-10600	4	RA105-00200	RA068-01100	
	1 thru 399, 8.50-10		40-101	RA164-03006	30-67	RA066-10800	4	RA105-00200		
Super Ag Cat G164B/450	401 and up, 8.50-10		40-101	RA164-03006	30-67	RA066-10800	4	RA105-00200		
			40-101	RA164-03006	30-67E (HD)	RA066-10800	8	RA105-00200		
Super Ag Cat G164A/600 G164B/450	8.50-10 Tire		40-101	RA164-03006	30-67	RA066-10800	4	RA105-00200		
	8.50-10 Tire HD Opt.		40-101	RA164-03006	30-67E (HD)	RA066-10800	8	RA105-00200		

Note: Please confirm brake assembly number. Part numbers with 'RA' are Rapco products. For Reference ONLY. For installation eligibility see FAA-PMA supplement.



Manufacturer Model	Year / Serial Number Notes	Conv/Mod Kit #	Wheel Assembly	Brake Disc	Brake Assembly	Lining	Linings Per Wheel	Rivet or Mounting Pin	Shim Insulators	Pressure Plate
Super Ag Cat G164B/450	660 thru 708, 8.50-10		40-101	RA164-03006	30-67	RA066-10800	4	RA105-00200		
	709 and up, 8.50-10		40-101	RA164-03006	30-67E (HD)	RA066-10800	8	RA105-00200		
Super Ag Cat G164B/525	8.50-10 Tire		40-101	RA164-03006	30-67	RA066-10800	4	RA105-00200		
			40-101	RA164-03006	30-67E (HD)	RA066-10800	8	RA105-00200		
Super Ag Cat G164C/600	29x11.00-10 Tire Pressure Plate Assy. >		40-133	RA164-05806	30-84	RA066-10800	8	RA105-00200		RA063-02500 RA073-02600
Turbo Ag Cat G164D/T G164D/ST G164D/SST	29x11.00-10 Tire Pressure Plate Assy. >		40-133	RA164-05806	30-84	RA066-10800	8	RA105-00200		RA063-02500 RA073-02600
Ag Cat B-Plus/450, B-Plus/650	8.50-10 Tire		40-101	RA164-03006	30-67	RA066-10800	4	RA105-00200		
			40-101	RA164-03006	30-67E (HD)	RA066-10800	8	RA105-00200		
Marsh G164C-T Turbo Ag Cat	29x11.00-10 Tire Pressure Plate Assy. >		40-133	RA164-05806	30-84	RA066-10800	8	RA105-00200		RA063-02500 RA073-02600
Mid Continent King Cat	29x11.00-10 Tire Pressure Plate Assy. >		40-133	RA164-05806	30-84	RA066-10800	8	RA105-00200		RA063-02500 RA073-02600
G-164B Super B Turbine	8.50-10 Tire		40-101	RA164-03006	30-67E	RA066-10800	8	RA105-00200		
Alon Aircoupe - see Univair										
American Aviation / American General - see Grumman American										
American Champion / Bellanca/ Champion / Aeronca										
7ECA, 7AGCAA Citabria, 7GCBC, 7KCBA, 7SR5	1964 and on		40-28D	RA164-00500	30-19A	RA066-10600	2	RA105-00200		
7ACA Champ	Thru 1970		40-28D	RA164-00500	30-19A	RA066-10600	2	RA105-00200		
	1971 and on		40-78B	RA164-01700	30-9	RA066-10600	2	RA105-00200		
8GCBC Scout	8.50-6 Tire		40-47		30-32B	RA066-10600	4	RA105-00200	RA068-01100	
8KCAB Decathlon			40-28D	RA164-00500	30-19A	RA066-10600	2	RA105-00200		
T-250 Aries			40-75G	RA164-01501	30-52S	RA066-10600	4	RA105-00200		RA063-01100
Arctic Aircraft										
S1B2 Artic Tern	001 - 1021		40-2B	RA164-00500	30-18	RA066-10600	2	RA105-00200		
	1022 and on		40-86B	RA164-02000	30-55	RA066-10500	2	RA105-00200		RA063-01200
Aviat / Pitts / Christen / Sky Int.										
S-1S, S-1T Pitts Special			40-78B	RA164-01700	30-9	RA066-10600	2	RA105-00200		
S-2, S-2A, S-2B, S-2B										
A-1 Husky			40-60	RA164-06700	30-60, -60A	RA066-10600	4	RA105-00200		
Avions Pierre Robin / CADB / APEX										
140,160				RA164-03601	30-52T	RA066-10500	4	RA105-00200		RA063-01100
DR400 Series			40-97D	RA164-02601	30-63E	RA066-10500	2	RA105-00200		RA063-01200
HR100/120, 200				RA164-02601	30-63D, -63E	RA066-10500	2	RA105-00200		RA063-01200
HR100/200, 210				RA164-03601	30-52N	RA066-10500	4	RA105-00200		RA063-01100
DR400 Series				N/A	30-52T	RA066-10500	4	RA105-00200		RA063-01100
R1000 Series				N/A	30-63E	RA066-10500	2	RA105-00200		RA063-01200
R2000 Series				N/A	30-63E	RA066-10500	2	RA105-00200		RA063-01200
R3000 Series				N/A	30-63E	RA066-10500	2	RA105-00200		RA063-01200
Ayres										
S2R (Thrush)	29x11-10	199-66A	40-133	RA164-05806	30-98A	RA066-10800	6	RA105-00200		RA063-01300
S2R-600 Thrush	1939R thru 217R Pressure Plate Assy. > 2173R thru 2529R Pressure Plate Assy. > 2530R and on		40-129 (HD)	RA164-05606	30-94 (HD)	RA066-10800	8	RA105-00200		RA063-02500 RA073-02600
			40-129		30-94	RA066-10800	8	RA105-00200		RA063-02500 RA073-02600
			40-133 (HD)	RA164-05806	30-98D (HD)	RA066-10800	12	RA105-00200		RA063-01300
			40-133	RA164-05806	30-98D	RA066-10800	12	RA105-00200		RA063-01300
S2R-660 Turbo Thrush			40-403	RA164-22202	30-231	RA066-06600	12	RA177-01600	RA068-01600	
S2R-800	500R thru 5082R Pressure Plate Assy. > 5083R and on		40-129 (HD)		30-94 (HD)	RA066-10800	12	RA105-00200		RA063-02500 RA073-02600
			40-133	RA164-05806	30-98	RA066-10800	12	RA105-00200		RA063-01300
S2R-PLZ600 S2R-R1340 S2R-1820 S2R-T11			40-133	RA164-05806	30-98D	RA066-10800	12	RA105-00200		RA063-01300
S2R-T15	T15-001 T15-002 and on		40-133	RA164-05806	30-98	RA066-10800	12	RA105-00200		RA063-01300
S2R-T34	6000 thru 6023 6024 and on		40-133	RA164-05806	30-98	RA066-10800	12	RA105-00200		RA063-01300
			40-133	RA164-05806	30-98D	RA066-10800	12	RA105-00200		RA063-01300
S2R-T41 S2R-T65 S2R-T65HG	T41-089 and -090		40-133	RA164-05806	30-98D	RA066-10800	12	RA105-00200		RA063-01300

Note: Please confirm brake assembly number. Part numbers with 'RA' are Rapco products. For Reference ONLY. For installation eligibility see FAA-PMA supplement.



Manufacturer Model	Year / Serial Number Notes	Conv/Mod Kit #	Wheel Assembly	Brake Disc	Brake Assembly	Lining	Linings Per Wheel	Rivet or Mounting Pin	Shim Insulators	Pressure Plate
Beech / Beechcraft / Raytheon / Hawker Beechcraft / Textron										
D18C, D18S, E18S, E18S-9700, H18, G18S, C45G, TC-45G, RC-45J, C-45H, TC-45H, TC45J, JRB-6, 3N, 3NM, 3TM	Conversion Kit, 8.50-10 Volpar	199-127	40-170	RA164-20900	30-144B	RA066-09000	8	RA105-00200 RA177-01600		
	Conversion Kit, 11.00-12	199-141	40-21101	RA164-22400	30-170	RA066-10000	8	RA105-00200 RA177-01600	RA068-04600	
45 (TY-34), A45 (T-34A-34A, B-45), D45 (T-34B)	Conversion Kit, 6.50-8	199-50	40-98	RA164-02706	30-66	RA066-04400	4	RA177-00300	RA068-01700	
19, 19A, B19, A-23, 23, A23, A23A, B23, C23, A23-24, A24 A24R	Conversion Kit, 6.00-6 MB-1 thru MB-521 M-2 thru M-1361 MA-1 thru MA-268 MC-2 thru MC-97	199-124	40-113C	RA164-04300	30-75B	RA066-10500	2	RA105-00200		RA063-01200
23, 24 Musketeer, B19, C33, 24R Sierra, Sport, Sundowner	1971 and on 1974 to 1977 1978 and on		40-113C 40-113C 40-59	RA164-04300 RA164-04300 RA164-06900	30-79A 30-75B 30-59	RA066-10500 RA066-10500 RA066-11200	2 2 2	RA105-00200 RA105-00200 RA105-00200		RA063-01200 RA063-01200
Debonair 35-33, 35-A33, 35-B33, 35-C33, 35-C33A,	Conversion Kit,	199-49	40-83	RA164-02504	30-54	RA066-10500	4	RA105-00200		RA063-01100
Bonanza E33A, F33, F33A, F33C	6.00-6 or 7.00-6 Tire									
35-33, 35-A33, 35-B33, 35-C33, 35-C33A E33A, F33, F33A, F33C	Conversion Kit, 6.00-6	199-124	40-113C	RA164-04300	30-75B	RA066-10500	2	RA105-00200		RA063-01200
33, A33 B33	CD-1 thru CD-387 CD-388 thru CD-639		40-1 40-37	RA164-00900 RA164-00700	30-1 30-24	RA066-11100 RA066-10600	2 4	RA105-00200 RA105-00200		
F33A	CD-1272 thru CD-1304 CJ-31 thru CJ-124		40-83	RA164-02504	30-54	RA066-10500	4	RA105-00200		RA063-01100
F33C,	CE-301 thru CE-634		40-83	RA164-02504	30-54	RA066-10500	4	RA105-00200		RA063-01100
F33A, F33C	CE-635 thru CE-1071 CJ-125 thru CJ-155		40-83A	RA164-02505	30-54A	RA066-10500	4	RA105-00200		RA063-01100
F33A, F33C	CE-1072 and on CJ-156 and on		40-83A	RA164-02505	30-54C	RA066-10500	4	RA105-00200		RA063-01100
T34C Mentor			40-111A	RA164-06506	30-74B	RA066-06700	4	RA177-00300		
Bonanza 35, A35, B35, C35, D35, E35, F35, G35 H35, J35, K35, M35, N35, P35, 35R, S35, V35, V35A, V35B	Conversion Kit, 6.00-6 or 7.00-6 Tire	199-49	40-83	RA164-02504	30-54	RA066-10500	4	RA105-00200		RA063-01100
35, A35, B35, C35, D35, E35, F35, G35, 35R, H35, J35, K35, M35, N35, P35, S35	Conversion Kit, 6.50-8	199-50	40-98	RA164-02706	30-66	RA066-04400	4	RA177-00300	RA068-01700	
35, A35, B35, D35, E35, F35, G35, 35R, G33, H35, J35, K35, M35, N35, P35, S35, V35, V35A, V35B	Conversion Kit, 6.00-6	199-124	40-113C	RA164-04300	30-75B	RA066-10500	2	RA105-00200		RA063-01200
G33 V35BTC 36 Bonanza	CD-1272 thru CD-1304 CJ-31 thru CJ-124 D-9193 thru D-9861 E-1 thru E-824 D-9862 and on		40-83 40-83	RA164-02504 RA164-02504	30-54 30-54A	RA066-10500 RA066-10500	4 4	RA105-00200 RA105-00200		RA063-01100 RA063-01100
A36	Conversion Kit, 6.00-6	199-124	40-113C	RA164-04300	30-75B	RA066-10500	2	RA105-00200		RA063-01200
V35A, A36	Conversion Kit, 6.00-6 or 7.00-6 Tire	199-49	40-83	RA164-02504	30-54	RA066-10500	4	RA105-00200		RA063-01100
A36 A36, A36TC	E-825 thru E-1802 E-1803 thru E-2254 EA-1 thru EA-186 EA-187 thru EA-442		40-83A 40-83B	RA164-02505 RA164-02505	30-54A 30-54A	RA066-10500 RA066-10500	4 4	RA105-00200 RA105-00200		RA063-01100 RA063-01100
A36, B36TC	E-2255 and on EA-443 and on		40-83B	RA164-02505	30-54C	RA066-10500	4	RA105-00200		RA063-01100
Travel Air 95, B95, B95A, D95A, E95, Baron, 95-55, 95-A55, 95-B55, 95-B55A, 95-B55B, 95-C55, 95-C55A, D55, D55A, E55, E55A	Conversion Kit, 6.50-8	199-50	40-98	RA164-02706	30-66	RA066-04400	8	RA177-00300	RA068-01700	
Twin Bonanza 50, B50, C50, D50, D50A, D50B, D50C, D50E, E50, F50, G50, H50, J50	Conversion Kit, 8.50-10 Twin Bonanza Excalibur	199-88	40-134A	RA164-06306	30-99	RA066-06600	8	RA177-01600		
Baron, B55, E55	1978, Heavy Duty Opt.		40-128	RA164-06106	30-93B	RA066-04400	6	RA177-00300	RA068-02700	
	1979 and on Heavy Duty Option		40-98G 40-128D	RA164-02706 RA164-06106	30-66G 30-93C	RA066-09700 RA066-09700	4 6	RA177-00300 RA177-00300	RA068-01700 RA068-02700	
Travel Air 95, B95, B95A, D95A, E95, Baron, 95-55, 95-A55, 95-B55, 95-B55A, 95-B55B, 95-C55, 95-C55A, Baron D55, D55A, E55, E55A, 58, 58A	Conversion Kit 6.50-8 19.5x6.75-8 Tire	199-138	40-128D	RA164-06106	30-93C	RA066-09700	6	RA177-00300	RA068-02700	
C55 D55 E55 56TC Baron A56TC	TE-1 and on TE-452 and on TE-768 and on TG-1 thru TG-63 TG-84 and on		40-98 40-98	RA164-02706 RA164-02706	30-66 30-66A	RA066-04400 RA066-02200	4 4	RA177-00300 RA177-00300	RA068-01700 RA068-01700	
58 Baron	1978, Heavy Duty Opt.		40-128	RA164-06106	30-93B	RA066-04400	6	RA177-00300	RA068-02700	
	1979 and on Heavy Duty		40-98G 40-128D	RA164-02706 RA164-06106	30-66G 30-93C	RA066-09700 RA066-09700	4 6	RA177-00300 RA177-00300	RA068-01700 RA068-02700	

Note: Please confirm brake assembly number. Part numbers with 'RA' are Rapco products. For Reference ONLY. For installation eligibility see FAA-PMA supplement.



Manufacturer Model	Year / Serial Number Notes	Conv/Mod Kit #	Wheel Assembly	Brake Disc	Brake Assembly	Lining	Linings Per Wheel	Rivet or Mounting Pin	Shim Insulators	Pressure Plate
58	TH-1 and on		40-98	RA164-02706	30-66	RA066-04400	4	RA177-00300	RA068-01700	
58TC	1984 and on		40-171	RA164-20806	30-145	RA066-09700	6	RA177-00300	RA068-02700	
58P	1984 and on		40-171	RA164-20806	30-145	RA066-09700	6	RA177-00300	RA068-02700	
58P, 58TC, 60, A60, B60	Conversion Kit	199-73	40-128	RA164-06106	30-93	RA066-04400	6	RA177-00300	RA068-02700	
B60 Duke	1984 and on		40-171	RA164-20806	30-145	RA066-09700	6	RA177-00300	RA068-02700	
Queen Air 65, A65, 70, 65-80, 65-A80, 65-B80, 65-88	Conversion Kit 6.50-8 19.5x6.75-8 Tire	199-123	40-170B	RA164-22900	30-144A	RA066-09000	8	RA105-00200 RA177-01600		
76 Dutchess			40-83	RA164-02504	30-54B	RA066-10500	4	RA105-00200		RA063-01100
77 Skipper			40-59	RA164-06900	30-59D	RA066-11200	2	RA105-00200		
King Air 65-90, 65-A90, 65-A90-1, (JU-21A), 65-A90-4 (RU-21E, RU-21H), B90,C90, C90A,C90GT, C90GTI, E90, H90 (T-44A), F90, 99, 99A, A99A, B99, C99	Conversion Kit, 8.50-10	199-90	40-170A	RA164-20900	30-144	RA066-09000	8	RA105-00200 RA177-01600		
King Air F90, 99, 99A, A99A, B99, C99, 100, A100, B100 KingAir, 200, 200C, 200CT, 200T King Air, A200, A200C, A200CT, B200, B200C, B200CT, B200T, B200GT, B200CGT	Conversion Kit, 18x5.5	199-110	40-289	RA164-21000	30-146	RA066-09100 RA066-09200	2 2		RA068-04100	
King Air F90, 99, 99A, A99A, B99, C99, 100, A100 (U-21F), B100, 200, 200C, 200CT, 200T King Air, B200, B200C, B200C (C-12F, B200C (C-R12), B200C (UC-12F), B22C(UC-12M) B200CGT, B200CT, B200GT, B200T	High Flotation Gear Conversion Kit 6.50-10, 22 x 6.75-10	199-125	40-203		30-162	RA109-00200 Wear Pad	10 Per Brake			
1900, 1900C, 1900C (C-12J), 1900D	Conversion Kit 6.50-10, 22 x 6.75-10	199-184 199-220	40-273A		30-204 30-204A	RA109-00201 Wear Pad	70 Per Brake			
T34C Mentor			40-111A	RA164-06506	30-74B	RA066-06700	4	RA177-00300		
Bell Helicopter										
230, 430	Key Drive PN: RA205-02900		40-276							
Bellanca										
17-30A, 17-31A, 17-31ATC, 300A, Viking			40-75E	RA164-01501	30-52M	RA066-10500	4	RA105-00200		RA063-01100
T-250 Aires			40-75G	RA164-01501	30-52S	RA066-10500	4	RA105-00200		RA063-01100
Bombardier - see, de Havilland										
Britten-Norman / Pilatus Britten-Norman										
BN-2, BN-2A Islander, BN-2B-20, -21, -26, -27, BN-2T	1969 thru 1979		40-90	RA164-02201	30-23A	RA066-06500 (PP) RA066-06200 (BP)	2 2	RA177-00300 RA177-00300	RA068-01100	RA063-01100
	1979 and on		40-90B	RA164-02201	30-23A, -22C	RA066-06500 (PP) RA066-06200 (BP)	2 2	RA177-00300 RA177-00300	RA068-01100	RA063-01100
BN-2A-2, -3, -6, -8, -9, -20, -21, -27, BN2B-20, -21, -26, -27	All, with 7.00-6 Tire		40-90F	RA164-01506	30-23D	RA066-06500 (PP) RA066-06200 (BP)	2 2	RA177-00300 RA177-00300	RA068-01100	RA063-01100
BN-2A MK111, Trilander, BN-2A MK111-2, BN-2A MK111-3			40-98F	RA164-02706	30-66H	RA066-02200	4	RA177-00300	RA068-01700	
Defender 4000			40-128E		30-93E	RA066-04400	6	RA105-00300		
Cessna / Textron										
120, 140										
120, 140	8004 thru 13399, 6.00-6	199-46	40-97A	RA164-02601	30-63A	RA066-10500	2	RA105-00200		RA063-01200
120, 140, 140A	13400 & up, 6.00-6									
150, 152 with Cleveland Brakes										
150A, B	1961 to 1962, 5.00-5 150-59119 thru 150-59700		40-12	RA164-00400	30-9	RA066-10600	2	RA105-00200		
150C	1963 with 5.00-5 6.00-6 Tire		40-19 40-57	RA164-00400 RA164-00500	30-9 30-40	RA066-10600 RA066-10600	2 2	RA105-00200 RA105-00200		
150D, E	1964 to 1965, 5.00-5 6.00-6 Tire		40-78 40-79A	RA164-01700 RA164-01600	30-9 30-40	RA066-10600 RA066-10600	2 2	RA105-00200 RA105-00200		
150F, G, F150F, G (Reims)	1966 to 1967		40-97, -97A	RA164-02601	30-63, -63A	RA066-10500	2	RA105-00200		RA063-01200
150H, J, K F150H, J A150K Aerobat	1968 to 1970 1970		40-97A	RA164-02601	30-63A	RA066-10500	2	RA105-00200		RA063-01200
150L A150L F150K FA150K, L FRA150L 152 A152 F152, FA152	1971 and on 1971 and on 1970 and on 1970 to 1971 1972 and on 1978 and on 1978 and on 1978 and on		40-113	RA164-04000	30-75	RA066-10500	2	RA105-00200		RA063-01200

Note: Please confirm brake assembly number. Part numbers with 'RA' are Rapco products. For Reference ONLY. For installation eligibility see FAA-PMA supplement.



Manufacturer Model	Year / Serial Number Notes	Conv/Mod Kit #	Wheel Assembly	Brake Disc	Brake Assembly	Lining	Linings Per Wheel	Rivet or Mounting Pin	Shim Insulators	Pressure Plate
150, 152, with McCauley Brakes - also see Comparison Guide in Section 4.										
150, A150	1971 to 1973		D-30063	N/A	C-30018	RA066-30026	2	RA105-00200		RA063-30025
F150, F152	1973 to 1976		D-30260	RA164-30195	C-30018	RA066-30026	2	RA105-00200		RA063-30025
152	1976		D-30580	RA164-30195	C-30018-4	RA066-30026	2	RA105-00200		RA063-30025
FA152 (Reims)	1976 to 1977		D-30291-6	RA164-30440	C-30018-4	RA066-30026	2	RA105-00200		RA063-30025
	1977		D-30660-1	RA164-30615-1	C-30018-5	RA066-30026	2	RA105-00200		RA063-30025
	1978 to 1981		D-30660-1	RA164-30615-1	C-30018-5	RA066-30026	2	RA105-00200		RA063-30025
	1982 and on		D-30660-1	RA164-30615-1	C-30764-5	RA066-30026	2	RA105-00200		RA063-30025
162										
162 SkyCatcher			40-308	RA164-01700	30-308	RA066-14800*	2	RA105-00200		
170										
170, 170A, 170B	Conversion Kit, 6.00-6	199-46	40-97A	RA164-02601	30-63A	RA066-10500	2	RA105-00200		RA063-01200
172 with Cleveland Brakes										
172, 172A thru 172E Skyhawk, P172D	Conversion Kit, 6.00-6	199-46	40-97A	RA164-02601	30-63A	RA066-10500	2	RA105-00200		RA063-01200
172F	172-51823 thru 172-52808		40-97A	RA164-02601	30-56, -63A	RA066-10500	2	RA105-00200		RA063-01200
172F, G, H	172-52809 thru 172-56512		40-97A	RA164-02601	30-63, -63A	RA066-10500	2	RA105-00200		RA063-01200
172L, K	172-56513 thru 172-59223		40-97A	RA164-02601	30-63A	RA066-10500	2	RA105-00200		RA063-01200
172L thru 172S	1971 and on 172-59224 and on		40-113	RA164-04000	30-75A	RA066-10500	2	RA105-00200		RA063-01200
F172F, G	F172-0096 thru F172-0204		40-97A	RA164-02601	30-56, -63A	RA066-10500	2	RA105-00200		RA063-01200
172G, H	F172-0205 thru F172-00754		40-97A	RA164-02601	30-63A	RA066-10500	2	RA105-00200		RA063-01200
F172K	172-00755 and on		40-113	RA164-04000	30-75A	RA066-10500	2	RA105-00200		RA063-01200
F172RG Cutlass	172-RG0001 and on		40-113	RA164-04000	30-75	RA066-10500	2	RA105-00200		RA063-01200
172 with McCauley Brakes - also see Comparison Guide in Section 4.										
172, R172	1971 to 1973 (3 - 1/4")		D-30063	N/A	C-30018-2	RA066-30026	2	RA105-00200		RA063-30025
F172 (Reims)	1973 to 1976		D-30260	RA164-30195	C-30018-2	RA066-30026	2	RA105-00200		RA063-30025
FR172 (Reims)	1976 (6 - 5/16" Bolts)		D-30580	RA164-30195	C-30018-2	RA066-30026	2	RA105-00200		RA063-30025
	1977 (3 - 1/4" Bolts)		D-30600-1	N/A	C-30018-6	RA066-30026	2	RA105-00200		RA063-30025
	1978 to 1981		D-30660-1	RA164-30615-1	C-30018-6	RA066-30026	2	RA105-00200		RA063-30025
	1982 and on		D-30660-1	RA164-30615-1	C-30764-6	RA066-30026	2	RA105-00200		RA063-30025
172RG Cutlass	1980 to 1981		D-30660-1	RA164-30615-1	C-30018-6	RA066-30026	2	RA105-00200		RA063-30025
	1982 and on		D-30660-1	RA164-30615-1	C-30718-5	RA066-30026	2	RA105-00200		RA063-30025
175										
175, 175A, 175B, 175C Skylark	Conversion Kit, 6.00-6	199-46	40-97A	RA164-02601	30-63A	RA066-10500	2	RA105-00200		RA063-01200
177 with Cleveland Brakes										
177 A, B Cardinal	177-01165 thru 177-01530		40-97A	RA164-02601	30-63, -63A	RA066-10500	2	RA105-00200		RA063-01200
177B	177-01531		40-113	RA164-04000	30-75	RA066-10500	2	RA105-00200		RA063-01200
177A, B	177-1165 and on		40-113	RA164-04000	30-75	RA066-10500	2	RA105-00200		RA063-01200
177RG, F177RG, 177, 177RG, F177RG	1971 to 1974		40-113	RA164-04000	30-75	RA066-10500	2	RA105-00200		RA063-01200
177 with McCauley Brakes - also see Comparison Guide in Section 4.										
177RG, F177RG	1975		D-30580	RA164-30195	C-30018-4	RA066-30026	4	RA105-00200		RA063-30025
177, 177RG	1976		D-30291-6	RA164-30440	C-30018-4	RA066-30026	4	RA105-00200		RA063-30025
F177RG (Reims)	1977		D-30600-1	N/A	C-30018-5	RA066-30026	4	RA105-00200		RA063-30025
	1978 and on		D-30660-1	RA164-30615-1						
180 with Cleveland Brakes										
180, 180A, thru 180F Skywagon	Conversion Kit, 6.00-6	199-46	40-97A	RA164-02601	30-63A	RA066-10500	2	RA105-00200		RA063-01200
180, 180A thru 180H, 180J, 180K	Conversion Kit, 8.00-6	199-62	40-75D	RA164-03601	30-52N	RA066-10500	4	RA105-00200		RA063-01100
	Conversion Kit, 8.00-6	199-62A	40-75T	RA164-08300	30-52N	RA066-10500	4	RA105-00200		RA063-01100
180, 180A, thru 180F, 180H, 180J	Conversion Kit, 6.00-6	199-60	40-75B	RA164-01501	30-52	RA066-10500	4	RA105-00200		RA063-01100
180G	180-51313 and on		40-75B	RA164-01501	30-52	RA066-10500	4	RA105-00200		RA063-01100
180H	180-52011 thru 180-52195		40-75D	RA164-03601	30-52D	RA066-10500	4	RA105-00200		RA063-01100
180H	180-52196 and on		40-75D	RA164-03601	30-52N	RA066-10500	4	RA105-00200		RA063-01100
180H	180-51775 thru 189-51993		40-66	RA164-00700	30-21	RA066-10600	4	RA105-00200		
180 with McCauley Brakes - also see Comparison Guide in Section 4.										
180 Series Skywagon	1973 to 1974		D-30063-1	N/A	C-30018-1, -2	RA066-30026	2	RA105-00200		RA063-30025
			D-30291-3	RA164-30414	C-30018-5, -6	RA066-30026	4	RA105-00200		RA063-30025
	1974		D-30063-4	N/A	C-30018-5, -6	RA066-30026	4	RA105-00200		RA063-30025
	1974 to 1978		D-30291-1	RA164-30388	C-30018-5, -6	RA066-30026	4	RA105-00200		RA063-30025
	1978 and on		D-30660-2	RA164-30615-2	C-30018-5, -6	RA066-30026	4	RA105-00200		RA063-30025
182 with Cleveland Brakes										
182, 182A thru 182G Skylane	Conversion Kit, 6.00-6	199-46	40-97A	RA164-02601	30-63A	RA066-10500	2	RA105-00200		RA063-01200
182G thru N	182-55059 thru 182-60445		40-97A	RA164-02601	30-56A	RA066-10500	2	RA105-00200		RA063-01200
					30-63, -63A	RA066-10500	2	RA105-00200		RA063-01200
182N, 182P, 182Q	182-60446 thru 182-67715		40-113	RA164-04000	30-75	RA066-10500	2	RA105-00200		RA063-01200
R182, TR182, FR182 (Reims)	1978 and on		40-75B	RA164-01501	30-52U	RA066-10500	4	RA105-00200		RA063-01100

Note: Please confirm brake assembly number. Part numbers with 'RA' are Rapco products. For Reference ONLY. For installation eligibility see FAA-PMA supplement.



Manufacturer Model	Year / Serial Number Notes	Conv/Mod Kit #	Wheel Assembly	Brake Disc	Brake Assembly	Lining	Linings Per Wheel	Rivet or Mounting Pin	Shim Insulators	Pressure Plate
182S, 182T, T182T	1996 and on		40-75B	RA164-01501	30-52U	RA066-10500	4	RA105-00200		RA063-01100
182 with McCauley Brakes - also see Comparison Guide in Section 4.										
182 Series F182 (Reims)	1976		D-30291-6	RA164-30440	C-30018-4	RA066-30026	4	RA105-00200		RA063-30025
	1977		D-30600-1	N/A	C-30018-5	RA066-30026	4	RA105-00200		RA063-30025
	1978 to 1980		D-30660-1	RA164-30615-1	C-30018-5	RA066-30026	4	RA105-00200		RA063-30025
R182, TR182, FR182 (Reims)	1978 and on		D-30660-3	RA164-30615-3	C-30018-3, -4	RA066-30026	4	RA105-00200		RA063-30025
T182	1981 and on		D-30660-3	RA164-30615-3	C-30018-3, -4	RA066-30026	4	RA105-00200		RA063-30025
185 with Cleveland Brakes										
185, 185A thru 185E, A185E, A185F	Conversion Kit, 8.00-6	199-62	40-75D	RA164-03601	30-52N	RA066-10500	4	RA105-00200		RA063-01100
	Conversion Kit, 8.00-6	199-62A	40-75T	RA164-08300	30-52N	RA066-10500	4	RA105-00200		RA063-01100
185, 185A 185B, A185E, A185F	Conversion Kit, 6.00-6	199-60	40-75B	RA164-01501	30-52	RA066-10500	4	RA105-00200		RA063-01100
185, 185A	185-0001 thru 185-0512		40-32	RA164-00700	30-21	RA066-10600	4	RA105-00200		
185B	185-00513 thru 185-0653		40-66	RA164-00700	30-21	RA066-10600	4	RA105-00200		
185C, D, E	185-0054 thru 185-1095		40-75B	RA164-01501	30-52	RA066-10500	4	RA105-00200		RA063-01100
A185E, F	185-1096 and on		40-75B	RA164-01501	30-52	RA066-10500	4	RA105-00200		RA063-01100
A185E, F	185-1471 and on		40-75D	RA164-03601	30-52D	RA066-10500	4	RA105-00200		RA063-01100
A185E	185-1150 thru 185-1447		40-66	RA164-00700	30-21	RA066-10600	4	RA105-00200		
185 with McCauley Brakes - also see Comparison Guide in Section 4.										
185 Series Skywagon	1973 to 1974		D-30063-1	N/A	C-30018-1, -2	RA066-30026	2	RA105-00200		RA063-30025
			D-30291-3	RA164-30414	C-30018-5, -6	RA066-30026	4	RA105-00200		RA063-30025
	1974		D-30063-4	N/A	C-30018-5, -6	RA066-30026	4	RA105-00200		RA063-30025
	1974 to 1978		D-30291-1	RA164-30388	C-30018-5, -6	RA066-30026	4	RA105-00200		RA063-30025
1978 and on		D-30660-2	RA164-30615-2	C-30018-5, -6	RA066-30026	4	RA105-00200		RA063-30025	
188										
188, A188, 188A Agwagon	1966 to 1972		40-75B	RA164-01501	30-52B	RA066-10500	4	RA105-00200		RA063-01100
A188A, 188B,	8.50-10 Tire		40-101A	RA164-03106	30-67A	RA066-10800	4	RA105-00200		
A188B, T188C	8.50-10 Tire		40-101	RA164-03006	30-67C	RA066-10800	4	RA105-00200		
	22 x 8.00-8 Tire		40-98A	RA164-02707	30-66A	RA066-11000	4	RA105-00200	RA068-01700	
190, 195										
190, 195, 195A, 195B	Conversion Kit, 6.50-10	199-61	40-40C	RA164-00806	30-28C	RA066-03300	6	RA177-00400	RA068-01600	
205										
205	205-0001 thru 205-0480		40-67	RA164-00700	30-35	RA066-10600	4	RA105-00200	RA068-01100	
205A Stationair	205-0481 to 205-0577		40-75B	RA164-01501	30-52	RA066-10500	4	RA105-00200		RA063-01100
206 with Cleveland Brakes										
206, P206, U206, U206F, U206G, TU206E, TU206F, TU206G, Super Skywagon, Stationair	Conversion Kit, 8.00-6	199-62	40-75D	RA164-03601	30-52N	RA066-10500	4	RA105-00200		RA063-01100
	Conversion Kit, 8.00-6	199-62A	40-75T	RA164-08300	30-52N	RA066-10500	4	RA105-00200		RA063-01100
206E, 206F, TU206E, TU206F	Conversion Kit, 6.00-6	199-60	40-75B	RA164-01501	30-52	RA066-10500	4	RA105-00200		RA063-01100
206	206-0001 thru 206-0275		40-75B	RA164-01501	30-52	RA066-10500	4	RA105-00200		RA063-01100
U206	U206-0276 thru U206-1256		40-75B	RA164-01501	30-52	RA066-10500	4	RA105-00200		RA063-01100
	U206-1257 and on 8.00-6 tire		40-75D	RA164-03601	30-52N	RA066-10500	4	RA105-00200		RA063-01100
P206, Super Skylane	P206-001 thru P206-0566		40-75B	RA164-01501	30-52	RA066-10500	4	RA105-00200		RA063-01100
	U206-0567 and on 8.00-6 tire		40-75D	RA164-03601	30-52N	RA066-10500	4	RA105-00200		RA063-01100
206H, T206H, Stationair	1996 and on		40-75B	RA164-01501	30-52U	RA066-10500	4	RA105-00200		RA063-01100
	8.00-6 tire		40-75T	RA164-08300	30-52W	RA066-10500	4	RA105-00200		RA063-01100
206 with McCauley Brakes - also see Comparison Guide in Section 4.										
206 Series	1974		D-30063-2	N/A	C-30018-3, -4	RA066-30026	4	RA105-00200		RA063-30025
	1974 to 1978		D-30291-2	RA164-30398	C-30018-3, -4	RA066-30026	4	RA105-00200		RA063-30025
	1978 and on		D-30660-3	RA164-30615-3	C-30018-3, -4	RA066-30026	4	RA105-00200		RA063-30025
	1974		D-30063-4	N/A	C-30018-5, -6	RA066-30026	4	RA105-00200		RA063-30025
	1974 to 1978, 8.00-6		D-30291-1	RA164-30388	C-30018-5, -6	RA066-30026	4	RA105-00200		RA063-30025
	1978 and on, 8.00-6		D-30660-2	RA164-30615-2	C-30018-5, -6	RA066-30026	4	RA105-00200		RA063-30025
207 with Cleveland Brakes										
207 Series, Skywagon, Stationair 7, 8	207-00001 and on		40-75B	RA164-01501	30-52F	RA066-10500	4	RA105-00200		RA063-01100
	8.00-6 tire		40-75D	RA164-03601	30-52E	RA066-10500	4	RA105-00200		RA063-01100
208										
208 Caravan 1	1 thru 138 Pressure Plate Assy. > Pressure Plate Assy. >		40-179	RA164-22201	30-163	RA066-03300	8	RA177-00300	RA068-02800	RA063-02500 RA073-08500 RA073-08502
	139 and on Pressure Plate Assy. > Pressure Plate Assy. >		40-179	RA164-22201	30-182	RA066-03300	8	RA177-00300	RA068-02800	RA063-02500 RA073-08500 RA073-08502
	139 and on w/upgrade Pressure Plate Assy. > Pressure Plate Assy. >	199-281	40-179	RA164-22201	30-182A	RA066-15300	8	RA177-00300	RA068-02800	RA063-02500 RA073-08500 RA073-08502

Note: Please confirm brake assembly number. Part numbers with 'RA' are Rapco products. For Reference ONLY. For installation eligibility see FAA-PMA supplement.



Manufacturer Model	Year / Serial Number Notes	Conv/Mod Kit #	Wheel Assembly	Brake Disc	Brake Assembly	Lining	Linings Per Wheel	Rivet or Mounting Pin	Shim Insulators	Pressure Plate
208B	1 thru 53 Pressure Plate Assy. > Pressure Plate Assy. >		40-179	RA164-22201	30-163	RA066-03300	8	RA177-00300	RA068-02800	RA063-02500 RA073-08500 RA073-08502
	54 and on Pressure Plate Assy. > Pressure Plate Assy. >		40-179	RA164-22201	30-182	RA066-03300	8	RA177-00300	RA068-02800	RA063-02500 RA073-08500 RA073-08502
	139 and on w/upgrade Pressure Plate Assy. > Pressure Plate Assy. >	199-281	40-179	RA164-22201	30-182A	RA066-15300	8	RA177-00300	RA068-02800	RA063-02500 RA073-08500 RA073-08502
210 with Cleveland Brakes										
210, 210A, 210B, 210C, Centurian 210K, 210L, 210M	Conversion Kit, 6.00-6	199-60	40-75B	RA164-01501	30-52	RA066-10500	4	RA105-00200		RA063-01100
210C	210-58086 thru 210-58220		40-21	RA164-00900	30-45	RA066-11100	2	RA105-00200		
210D thru M	210-58221 thru 210-62954		40-75B	RA164-01501	30-52	RA066-10500	4	RA105-00200		RA063-01100
T210F, T210K, T210L, T210M, T210N	T210-0001 and on									
P210N	Conversion Kit, 6.00-6 P21000001 thru P21000150	199-60A	40-75B	RA164-01501	30-52U	RA066-10500	4	RA105-00200		RA063-01100
P210	1984		40-142	RA164-07800	30-127C	RA066-06200	4	RA177-00300	RA068-01100	RA063-01100
210N	210-62955 and on		40-775B	RA164-01501	30-52V	RA066-10500	4	RA105-00200		RA063-01100
P210N	1979 and on									
210 with McCauley Brakes - also see McCauley Disc Comparison Guide in Section 4.										
210 Series	1974		D-30063-2	N/A	D-301118-3, -4	RA066-30026	4	RA105-00200		RA063-30025
	1974 to 1978		D-30291-2	RA164-30398	D-301118-3, -4	RA066-30026	4	RA105-00200		RA063-30025
	1978 and on		D-30660-3	RA164-30615-3	D-301118-3, -4	RA066-30026	4	RA105-00200		RA063-30025
350 / 400 Corvalis										
350 Corvalis (LC42-550FG)			40-406A	RA164-02504	30-233A	RA066-06200	4	RA177-00300	RA068-01100	RA063-01100
400 Corvalis (LC41-550FG)			40-406A	RA164-02504	30-233A	RA066-06200	4	RA177-00300	RA068-01100	RA063-01100
300 Series Multi Engine										
303, T303 Crusader	1982 and on		40-142	RA164-07800	30-127A	RA066-06200	4	RA177-00300	RA068-01100	RA063-01100
	6.80-8 Tire		40-98H	RA164-08406	30-66F	RA066-04400	4	RA177-00300	RA068-01700	
305A, B, C, D, E, F USAF O-1A, -1E, -1G	1951 and on		40-97E	RA164-02601	30-63K	RA066-10500	2	RA105-00200		RA063-01200
			40-75F	RA164-01501	30-52L	RA066-10500	4	RA105-00200		RA063-01100
310, 310A thru 310H, E310H, 310L, 310J, 310J-1, E310J, 310K, 310L, 310N, 310P, T310P, 310Q, T310Q, 310R, T310R	Conversion Kit, 6.50-10	199-64	40-40B	RA164-01406	30-28D	RA066-03300	6	RA177-00400	RA068-01600	
310 Series	1976 to 1981		40-40A	RA164-00806	30-28B	RA066-03300	6	RA177-00400	RA068-01600	
	1981 and on		40-40D	RA164-20206	30-28B	RA066-03300	6	RA177-00400	RA068-01600	
320, 320-1, 320A, 320B, 320C, Skynight 320D, 320E, 320F	Conversion Kit, 6.50-10	199-64	40-40B	RA164-01406	30-28D	RA066-03300	6	RA177-00400	RA068-01600	
335	1979 and on		40-40A	RA164-00806	30-28B	RA066-03300	6	RA177-00400	RA068-01600	
336 Skymaster	336-0001 thru 336-0098		40-67A	RA164-02504	30-61	RA066-10500	4	RA105-00200	RA068-01100	RA063-01100
	336-009 and on		40-75B	RA164-01501	30-52	RA066-10500	4	RA105-00200		RA063-01100
337, 337A (USAF 02B) Skymaster	1965 to 1966 337-0001 thru 337-0525		40-96A, -96E	RA164-02504	30-61	RA066-10500	4	RA105-00200		RA063-01100
337B	1967 337-0526 thru 337-0619		40-96A, -96E	RA164-02504	30-61D	RA066-10500	4	RA105-00200	RA068-01100	RA063-01100
337 B thru D	337-0620 thru 337-1193		40-96A, -96E	RA164-02504	30-61D	RA066-10500	4	RA105-00200	RA068-01100	RA063-01100
337E	337-01194 and on		40-98A	RA164-02707	30-69B	RA066-02200	4	RA177-00300	RA068-01700	
340 Series	1972 to 1981		40-40A	RA164-00806	30-28B	RA066-03300	6	RA177-00400	RA068-01600	
	1981 and on		40-40D	RA164-20206	30-28B	RA066-03300	6	RA177-00400	RA068-01600	
340, 340A	Conversion Kit, 6.50-10, Heavy Duty	199-72	40-135	RA164-06406	30-100	RA066-06600	8	RA177-01600	RA068-03100	
340, 340A	Conversion Kit, 6.50-10	199-76	40-135A	RA164-20306	30-100	RA066-06600	8	RA177-01600	RA068-03100	
400 Series Multi Engine										
401, 401A, 401B, 402, 402A, 402B, 411, 411A, 414	Conversion Kit, 6.50-10, Heavy Duty	199-72	40-135	RA164-06406	30-100	RA066-06600	8	RA177-01600	RA068-03100	
401, 401A, 401B, 402, 402A, 402B, 402C, 411, 411A, 421, 421A, 421B, 421C	Conversion Kit, 6.50-10	199-76	40-135A	RA164-20306	30-100	RA066-06600	8	RA177-01600	RA068-03100	
401 Series			40-40A	RA164-00806	30-28B	RA066-03300	6	RA177-00400	RA068-01600	
402 Series	1/4" Bolts		40-135	RA164-06406	30-100	RA066-06600	8	RA177-01600	RA068-03100	
	1981 and on, 5/16" Bolts		40-135A	RA164-20306	30-100	RA066-06600	8	RA177-01600	RA068-03100	
404 Titan	404-00001 and on		40-132	RA164-09100	30-97	RA066-06400	8	RA177-01600	RA068-02900	
411, 411A	1965 to 1968		40-40A	RA164-00806	30-28B	RA066-03300	6	RA177-00400	RA068-01600	
414 Chancellor			40-40A	RA164-00806	30-28B	RA066-03300	6	RA177-00400	RA068-01600	

Note: Please confirm brake assembly number. Part numbers with 'RA' are Rapco products. For Reference ONLY. For installation eligibility see FAA-PMA supplement.



Manufacturer Model	Year / Serial Number Notes	Conv/Mod Kit #	Wheel Assembly	Brake Disc	Brake Assembly	Lining	Linings Per Wheel	Rivet or Mounting Pin	Shim Insulators	Pressure Plate
414A	1981 and on, 1/4" Bolts 5/16" Bolt		40-135	RA164-06406	30-100	RA066-06600	8	RA177-01600	RA068-03100	
			40-135A	RA164-20306	30-100	RA066-06600	8	RA177-01600	RA068-03100	
421C Golden Eagle	1976 to 1980, 5/16" Bolts 1981 and on, 1/4" Bolts		40-135	RA164-06406	30-100	RA066-06600	8	RA177-01600	RA068-03100	
			40-135A	RA164-20306	30-100	RA066-06600	8	RA177-01600	RA068-03100	
425 Corsair	425-0001 and on		40-138	RA164-05500	30-113	RA066-06400	8	RA177-01600	RA068-02900	
			40-138A	RA164-05500	30-113A	RA066-06400	8	RA177-01600	RA068-02900	
441	Conversion Kit 22x7.75-10 tire	199-115	40-169	RA164-20700	30-143	RA066-07300	8	RA177-01600		
LC42-550FG / LC41-550FG - see 350 / 400 Corvalls										
Champion - see American Champion										
Cirrus										
SR-20			40-414	RA164-24400	30-239	RA066-14100	2	RA105-00200		
SR-20	1601 and on		40-75P	RA164-01501	30-52A, -52B	RA066-10500	4	RA105-00200		RA063-01100
SR-22			40-75P	RA164-01501	30-52	RA066-10500	4	RA105-00200		RA063-01100
SR-22	Upgrade or 1740 and on		40-406	RA164-02504	30-233B	RA066-06200	4	RA177-00300	RA068-01100	RA063-01100
Classic										
YMF-5 Waco	F5001 and on		40-223	RA164-03106	30-176	RA066-10800	4	RA105-00200		
Columbia										
300, 350, 400			40-406A	RA164-02504	30-233A	RA066-06200	4	RA177-00300	RA068-01100	RA063-01100
Commander - see Grumman American or Rockwell International										
Croplease - see NDN Aircraft										
Daher / Aerospatiale / Socata										
100, 110, 125, 150, 180 Series, Rallye			40-97D	RA164-02601	30-63J	RA066-10500	2	RA105-00200		RA063-01200
110ST Galopin, 160ST Garnement, 180T Gairien, 180GT Gallaard			40-97D	RA164-02601	30-63J	RA066-10500	2	RA105-00200		RA063-01200
220, 235 Series, 235G Guerrier (Rallye), 235GT Gabriel, 235CA Gaucho			40-84, -84B	RA164-01900	30-41B	RA066-10600	4	RA105-00200		
TB9 Tampico, TB10 Tobago TB200			40-97E, -97F	RA164-02601	30-63J	RA066-10500	2	RA105-00200		RA063-01200
TB20, 21 Trinidad			40-84, -84B	RA164-01900	30-41B	RA066-10600	4	RA105-00200		
TB30 Epsilon			40-90B	RA164-02201	30-23B	RA066-06500 (pp) RA066-06200 (bp)	2 2	RA177-00300 RA177-00300		
TBM 700	1 thru 204 206 thru 239 241 thru 243 Drive Key RA205-02900		40-270	RA159-02700	30-191	RA109-01500 Wear Pad	32 Per Brake			
	205, 240, 244 and up Drive Key RA205-02900		40-434		30-191	RA109-01500 Wear Pad	32 Per Brake			
TBM 850	All		40-434		30-191	RA109-01500	32			
TBM 700, TBM 850	Drive Key RA205-02900									
Daimler Benz - see Messerschmitt										
de Havilland / Bombardier / Viking Air Limited										
Chipmunk DHC-1-21, -22, -22A DHC-1B-2-S3, -S5	Conversion Kit, 6.00-6	199-79	40-97D	RA164-02601	30-63P	RA066-10500	2	RA105-00200		RA063-01200
DHC-2 MKI, Mk.II, Mk.III Beaver	Conversion Kit, 8.50-10	199-95	40-134	RA164-06306	30-99	RA066-10600	8	RA105-00200	RA068-02800	
DHC-6-1, -100, -200, 300 Twin Otter	Conversion Kit, 11.00-12	199-92	40-21101	RA164-22400	30-170	RA066-10000	8	RA105-00200 RA177-01600	RA068-04600	
Diamond										
DA20-AC, 20-C1, Katana			40-78E	RA164-24200	30-9D	RA066-10600	2	RA105-00200		
DA40, -40F			40-414A	RA164-24400	30-239A	RA066-10600	2	RA105-00200		
DA42, 42 NG, 42 M-NG, Twin Star			40-75Z	RA164-01501	30-52Z	RA066-10500	4	RA105-00200		RA063-01100
Edgley - see Lavaux										
ERCO Ecoupe - see Univair										
Emair										
MA-1B Diablo 1200	1978 and on		40-139		30-111	RA066-10800	8	RA105-00200		RA063-02500 RA073-02600
Fairchild - see Swearingen										

Note: Please confirm brake assembly number. Part numbers with 'RA' are Rapco products. For Reference ONLY. For installation eligibility see FAA-PMA supplement.



Manufacturer Model	Year / Serial Number Notes	Conv/Mod Kit #	Wheel Assembly	Brake Disc	Brake Assembly	Lining	Linings Per Wheel	Rivet or Mounting Pin	Shim Insulators	Pressure Plate
FFA Flugzeugwerke Altenhein AG										
AS202-18A4 Bravo	224 and on		40-97A	RA164-02601	30-63A	RA066-10500	2	RA105-00200		RA063-01200
Fletcher - see Pacific Aerospace										
Forney Aircoupe - see Univair										
Found Brothers										
100 Centennial			40-75B	RA164-01501	30-52	RA066-10500	4	RA105-00200		RA063-01100
GAF - (Australia) / Nomad										
N22B, N22S			40-75T	RA164-08300	30-52Q	RA066-10500	4	RA105-00200		RA063-01100
N24A Nomad	Heavy Duty		40-143	RA164-08200	30-129	RA066-06200	4	RA177-00300	RA068-01100	RA063-01100
General Avia (Italy)										
F.20, F.201TP, Pegaso			40-75G	RA164-01501	30-52P	RA066-10500	4	RA105-00200		RA063-01100
F.22, Pinguino			40-151	RA164-08500	30-164	RA066-06200	2	RA177-00300		RA063-01200
F.1300			40-131	RA164-05700	30-96	RA066-06200	2	RA177-00300	RA068-01100	RA063-01100
Gippsland										
GA8			40-75T	RA164-08300	30-52N	RA066-10500	4	RA105-00200		RA063-01100
Globe Swift										
GC1A, GC1B	Conversion Kit, 6.00-6	199-48	40-113C	RA164-04300	30-79B	RA066-10500	2	RA105-00200		RA063-01200
Great Lakes										
2T-1A, 2T-1A-1, 2T-1A-2			40-113	RA164-04000	30-75	RA066-10500	2	RA105-00200		RA063-01200
Grob / Grob Werke GMBH										
G103, G103C			40-97A	RA164-02601	30-63A	RA066-10500	2	RA105-00200		RA063-01200
G109 Series			40-78B	RA164-01700	30-9	RA066-10600	2	RA105-00200		
G115, -A, -B, -C			40-78B	RA164-01700	30-9	RA066-10600	2	RA105-00200		
G115-T			40-84	RA164-01900	30-41B	RA066-10600	4	RA105-00200		
G115-TA			40-84	RA164-01900	30-41B	RA066-10600	4	RA105-00200		
Grumman - see Grumman American or Ag Cat										
Grumman American (Gulfstream) American General, Commander- also see Rockwell International										
AA-1, -1A, -1B, TR-2 Yankee / Trainer	All models thru 1974 1975 and on		40-86A 40-88C	RA164-02000 RA164-02000	30-55B 30-56B	RA066-10500 RA066-10500	2 2	RA105-00200 RA105-00200		RA063-01200 RA063-01200
AA-5 Traveler	All models thru 1974		40-86A	RA164-02000	30-55B	RA066-10500	2	RA105-00200		RA063-01200
AA-5A, -5B Cheetah / Tiger	1975 and on		40-88C	RA164-02000	30-56B	RA066-10500	2	RA105-00200		RA063-01200
GA-7 Cougar			40-90	RA164-02201	30-23B	RA066-06500 (PP) RA066-06200 (BP)	2 2	RA177-00300 RA177-00300	RA068-02800	
Gulfstream - see Grumman American or Aero Commander										
Hawker Beechcraft - see Beech										
Helio										
H-250, H-295, H391, H-395 Courier			40-75E 40-75D 40-75T	RA164-01501 RA164-03601 RA164-08300	30-52A 30-52N 30-52N	RA066-10500 RA066-10500 RA066-10500	4 4 4	RA105-00200 RA105-00200 RA105-00200		RA063-01100 RA063-01100 RA063-01100
	6.50-8 Tire		40-98A	RA164-02707	30-66A	RA066-11000	4	RA105-00200	RA068-01700	
Industeia Unidas SA (Mexico)										
A-9B Sparrow / Quail			40-99	RA164-02800	30-41, -41B	RA066-10600	4	RA105-00200		
KAJ Korea Aerospace Industries										
KT-1 Woongbi	Drive Key PN: RA205-02900									
Lake / Aerofab										
LA-4	1963 and on Heavy duty option		40-113X 40-74, -74B 40-418	RA164-04000 RA164-00700	30-75X 30-51, -51B 30-241	RA066-10500 RA066-10600 RA066-10500	2 4 4	RA105-00200 RA105-00200 RA105-00200		RA063-01200 RA063-01100
LA-180, LA-200 Buccaneer Amphibian	1974 1975 1977 and on Heavy duty option		40-113X 40-74A 40-74B 40-74B 40-418	RA164-04000 RA164-00700 RA164-00700 RA164-00700	30-75X 30-51, -51B 30-51, -51B 30-51B 30-241	RA066-10500 RA066-10600 RA066-10600 RA066-10600 RA066-10500	2 4 4 4 4	RA105-00200 RA105-00200 RA105-00200 RA105-00200 RA105-00200		RA063-01200 RA063-01100
LA-250 Renegade	Option		40-74B 40-418	RA164-00700	30-51B 30-241	RA066-10600 RA066-10500	4 4	RA105-00200 RA105-00200		RA063-01100
LA-270 Turbo Renegade	with McCauley with Cleveland		40-418 40-418		D-30793-4 30-241	RA066-30026 RA066-10500	4 4	RA105-00200 RA105-00200		RA063-01100



Manufacturer Model	Year / Serial Number Notes	Conv/Mod Kit #	Wheel Assembly	Brake Disc	Brake Assembly	Lining	Linings Per Wheel	Rivet or Mounting Pin	Shim Insulators	Pressure Plate
LAVIASA - see Piper PA-25-Series										
Leonardo-Finmeccanica - see Agusta Westland										
Lovaux - Edgley										
EA7 Optica	1 and on		40-86	RA164-02000	30-55	RA066-10500	2	RA105-00200		RA063-01200
Marsh Aviation										
S2R-T			40-129	RA164-05606	30-94	RA066-10800	8	RA105-00200		
	29 x 11.00-10		40-133	RA164-05606	30-98	RA066-10800	12	RA105-00200		RA063-01300
G-164C-T			40-133	RA164-05606	30-94	RA066-10800	8	RA105-00200		
Maule										
M4 Series Jetasan / Rocket			40-97D	RA164-02601	30-63E	RA066-10500	2	RA105-00200		RA063-01200
M5, M6 Series			40-97D	RA164-02601	30-63E	RA066-10500	2	RA105-00200		RA063-01200
M7 Series Star Rocket	Heavy Duty Option		40-75D	RA164-03601	30-52N	RA066-10500	4	RA105-00200		RA063-01100
M9 Series			40-75D	RA164-03601	30-52AC	RA066-10500	4	RA105-00200		RA063-01100
M.B.B. - Dimler Benz see Messerschmitt										
McCulloch										
J2 Helicopter			40-78B	RA164-01700	30-9	RA066-10600	2	RA105-00200		
Messerschmitt / Dimler Benz / Bolkow - Blohm GmbH										
B.O.-208			40-12	RA164-00400	30-9	RA066-10600	2	RA105-00200		
B.O.-209-150FF Monson, B.O.-209-150FV & RV, B.O.-209-160FV & RV			40-78B	RA164-01700	30-9	RA066-10600	2	RA105-00200		
Mitsubishi										
MU-2B, MU-2B-10, -15, -20, -25, -26, -26A, -30, -35, -36, -36A, -40, -60	Conversion Kit, 8.50-10	199-101	40-148	RA164-07200	30-131	RA066-09000	8	RA105-00200 RA177-01600		
Mooney										
M10 Cadet/Coupe (see Univair)										
M20A, M20B, Mark 20, M20C, M20D, Master, M20E Super 21	1401 thru 3466 101 thru 260 101 thru 1308		40-24	RA164-00900	30-5	RA066-11100	2	RA105-00200		
M20C, Mark 21, Ranger, M20E, Super 21	670001 & on 670001 & on		40-86	RA164-02000	30-56A, -56D	RA066-10500	2	RA105-00200		RA063-01200
M20F Executive 21 M20G Statesman M20J, 201, M20K, (231 Turbo, 252TSE)	660003 & on 680001 & on 24-0001 & on 25-0001 & on									
M20M	All S/N		40-90A	RA164-02300	30-65	RA066-10500	4	RA105-00200		RA063-01100
NDN Aircraft Ltd. / Crolelease PLC.										
NDN6 Fieldmaster			40-175	RA164-21100*	30-149	RA066-06600	12	RA177-01600	RA068-01600	
The New Piper Aircraft, Inc. - see Piper										
New Zealand Aerospace Ind. - see Pacific Aerospace Corp.										
North American Rockwell - see Aero Commander or Rockwell										
Pacific Aerospace Corp., LTD / New Zealand Aerospace Ind. / Fletcher										
FU24 Fletcher FU24-950 FU24-954 FU24A-954	1978 and on		40-47		30-32C	RA066-10600	4		RA068-01100	
08-600 Cresco			40-101	RA164-03006	30-89E	RA066-10800	6	RA105-00200		RA063-01300
CT/4E Airliner	S/N 200 and on		40-97F	RA164-02601	30-63S	RA066-10500	4	RA105-00200		RA063-01200
DT4			40-97F	RA164-02601	30-63S	RA066-10500	4	RA105-00200		RA063-01200
PAC 750XL			40-179A	RA164-03006	30-182	RA066-10800	8	RA105-00200	RA068-02800	RA063-02500 RA073-08500 RA073-08502
	Pressure Plate Assy. > Pressure Plate Assy. >									RA063-02500 RA073-08500 RA073-08502
	Lining upgrade Pressure Plate Assy. > Pressure Plate Assy. >	199-281	40-179A	RA164-03006	30-182A	RA066-15300	8	RA177-00300	RA068-02800	RA063-02500 RA073-08500 RA073-08502
Partenavia - see Vulcanair or G.A.F.										
Pilatus Aircraft Ltd										
PC-12/47E PC-12, PC-12/45, PC-12/47, PC-12/47E	1231 thru 1257, 1258 on. With Cleveland Conv. OH Kit PN: RA199-575A Drive Key RA205-05201	199-276	40-424	RA159-07400 (rotor disc)	30-244	RA109-03000 (wear pad)	72	RA105-08701 & RA105-02401		RA063-08400 RA073-10100 Stationary Disc RA232-03500 RA242-01800

Note: Please confirm brake assembly number. Part numbers with 'RA' are Rapco products. For Reference ONLY. For installation eligibility see FAA-PMA supplement.



Manufacturer Model	Year / Serial Number Notes	Conv/Mod Kit #	Wheel Assembly	Brake Disc	Brake Assembly	Lining	Linings Per Wheel	Rivet or Mounting Pin	Shim Insulators	Pressure Plate
Pilatus Britten-Norman - see Britten Norman										
Piper / The New Piper Aircraft, Inc.										
J-3 Cub	see Univair									
PA-11 Cub Special	see Univair									
PA-12 Super Cruiser	see Univair									
PA-14 Family Cruiser	see Univair									
PA-16 Clipper	see Univair									
PA-18 Super Cub	see Univair									
PA-18-150 Super Cub, PA-18A-150 Super Cub	18-7609137 & on		40-60	RA164-06700	30-60, -60A, -60B	RA066-10600	4	RA105-00200		
PA-22-108 Colt			40-28	RA164-00500	30-18	RA066-10600	2	RA105-00200		
PA-22-125, -135, -150, -160	Univair STC SA91AL	199-276	40-28	RA164-00500	30-18	RA066-10600	2	RA105-00200		
PA-23-150, -160 Apache			3080A	-	3000-500 (-13)	RA066-10600	4	RA105-00200		
PA-23-235 Apache	27-1 thru 27-3737		3080B	RA164-00206	37-200-2	RA066-10600	8	RA105-00200		
PA-23 Series Aztec	Conversion Kit, 7.00-6	199-63	40-131	RA164-05700	30-96	RA066-06200	8	RA177-00300	RA068-01100	RA063-01100
PA-23-250 Aztec	27-3738 thru 27-7554137, 27-7554139, 27-7554141 thru 27-7554149		3080D	RA164-03206	37-200A (30-1)	RA066-06500 (PP) RA066-06200 (BP)	4 4	RA177-00300 RA177-00300		
PA-24-180, -250, -260 Comanche SB7100	24-1 thru 24-3295 24-3296 thru 24-3306 24-3307 and on		3070 (40-5) 3070 (40-5) 40-58 40-84	RA164-00900 RA164-00900 RA164-00900 RA164-01900	3000-250,30-12 30-41, -41B 30-41, -41B 30-41B	RA066-10600 RA066-10600 RA066-10600 RA066-10600	4 4 4 4	RA105-00200 RA105-00200 RA105-00200 RA105-00200		
PA-24-400 Comanche	24-130 and on		40-90	RA164-02201	30-23	RA066-06500 (PP) RA066-06200 (BP)	2 2	RA177-00300 RA177-00300	RA068-02800	
PA-25-235, Pawnee w/SB7100	25-1 thru 25-1999		3070 (40-5)	RA164-00900	3000-250,30-12	RA066-10600	4	RA105-00200		
PA-25-235	25-2000 thru 25-2136		40-61	RA164-01300	3000-250,30-12	RA066-10600	4	RA105-00200		
PA-25-235B	25-2137 thru 25-4171		40-61	RA164-01300	30-41, -41B	RA066-10600	4	RA105-00200		
PA-25-235C, D	25-4172 thru 25-7656119		40-84A	RA164-03300	30-41, -41B	RA066-10600	4	RA105-00200		
PA-25-260C, D	25-7656120 and on		40-84A	RA164-03300	30-41B	RA066-10600	4	RA105-00200		
PA-28-140 Cherokee/Crusier	28-20002 thru 28-20520		40-28 40-86	RA164-00500 RA164-02000	30-18 30-55	RA066-10500 RA066-10500	2 2	RA105-00200 RA105-00200		RA063-01200
	1974 and on		40-86B	RA164-02000	30-55	RA066-10500	2	RA105-00200		RA063-01200
PA-28-150 Chreokee	28-1 thru 28-1760 28-1761 and on		40-28 40-86	RA164-00500 RA164-02000	30-18 30-55	RA066-10600 RA066-10500	2 2	RA105-00200 RA105-00200		RA063-01200
PA-28-151 Cherokee/Warrior	All, 1974 and on		40-86B	RA164-02000	30-55	RA066-10500	2	RA105-00200		RA063-01200
PA-28-160 Chreokee	28-1 thru 28-1760 28-1761 and on		40-28 40-86	RA164-00500 RA164-02000	30-18 30-55	RA066-10600 RA066-10500	2 2	RA105-00200 RA105-00200		RA063-01200
PA-28-161 Cherokee/ Warrior II	7716001 and on		40-86B	RA164-02000	30-55	RA066-10500	2	RA105-00200		RA063-01200
PA-28-180 Cherokee/Archer	28-1 thru 28-1760 28-1761 and on 1974 and on		40-28 40-86 40-86B	RA164-00500 RA164-02000 RA164-02000	30-18 30-55 30-55	RA066-10600 RA066-10500 RA066-10500	2 2 2	RA105-00200 RA105-00200 RA105-00200		RA063-01200 RA063-01200
PA-28-181 Cherokee/Archer II	28-7690001 and on		40-86B	RA164-02000	30-55	RA066-10500	2	RA105-00200		RA063-01200
PA-28-235	28-10003 thru 28-10486		40-58	RA164-00900	30-34	RA066-11100	2	RA105-00200		
Cherokee 235/Pathfinder	28-10487 and on		40-86, 40-86B	RA164-02000	30-55	RA066-10500	2	RA105-00200		RA063-01200
PA-28-236 Dakota	28-7911001 and on 28-7911001 and on, HD		40-86B 40-90A	RA164-02000 RA164-02300	30-55 30-65	RA066-10500 RA066-10500	2 4	RA105-00200 RA105-00200		RA063-01200 RA063-01100
PA-28R-180 Cherokee/Arrow 180	28R-30005 thru 28R-7130005 28R-7130006 and on 1974 and on 1977 and on		40-84 40-86 40-86B 40-86B	RA164-01900 RA164-02000 RA164-02000 RA164-02000	30-41, -41B 30-55 30-55 30-55	RA066-10600 RA066-10500 RA066-10500 RA066-10500	4 2 2 2	RA105-00200 RA105-00200 RA105-00200 RA105-00200		RA063-01200 RA063-01200 RA063-01200
PA-28R-200 Cherokee/Arrow 200	28R-35001 thru 28R-7135109 1974 and on 1977 and on		40-84 40-86 40-86B 40-86B	RA164-01900 RA164-02000 RA164-02000 RA164-02000	30-41, -41B 30-55 30-55 30-55	RA066-10600 RA066-10500 RA066-10500 RA066-10500	2 2 2 2	RA105-00200 RA105-00200 RA105-00200 RA105-00200		RA063-01200 RA063-01200 RA063-01200
PA-28-201T, PA-28R-201, PA-28RT-201, PA-28R-201T			40-86B	RA164-02000	30-55	RA066-10500	2	RA105-00200		RA063-01200
PA-30 Twin Comanche	30-2 thru 30-845 30-845 and on		40-34 40-90	RA164-01000 RA164-02201	30-23 30-23	RA066-06500 (PP) RA066-06200 (BP) RA066-06500 (PP) RA066-06200 (BP)	2 2 2 2	RA177-00300 RA177-00300 RA177-00300 RA177-00300	RA068-01100 RA068-01100	
Twin Comanche Also see PA-39										
PA-31, PA-31-300, PA-31-325, PA31-350	Conversion Kit, 6.50-10	199-100	40-162	RA164-07700	30-138	RA066-06800	6	RA177-01600		
PA-31-300, PA-31-310 Navajo	31-5 thru 31-7300962		40-102	RA164-03506	30-68	RA066-03300	6	RA177-00400	RA068-01600	
PA-31-310, PA-31-325, PA31-350	Conversion Kit, 6.50-10	199-66	40-130	RA164-07906	30-95A	RA066-06600	8	RA177-01600	RA068-02800	
PA-31-325 Navajo C/R	31-7300963 and on		40-102A	RA164-04406	30-68A, -68B	RA066-03300	6	RA177-00400	RA068-01600	
PA-31-350 Chieftain	31-5001 thru 31-7652075, HD 31-7812001 and on 31-7652076 and on		40-102A 40-130 40-130	RA164-04406 RA164-07906 RA164-07906	30-68A, -68B 30-95A 30-95, -95A	RA066-03300 RA066-06600 RA066-06600	6 8 8	RA177-00400 RA177-01600 RA177-01600	RA068-01600 RA068-02800 RA068-02800	
PA-31-350	Conversion Kit, 6.50-10	199-119	40-195	RA164-21900	30-158	RA066-06800	8	RA177-01600	RA068-03100	

Note: Please confirm brake assembly number. Part numbers with 'RA' are Rapco products. For Reference ONLY. For installation eligibility see FAA-PMA supplement.



Manufacturer Model	Year / Serial Number Notes	Conv/Mod Kit #	Wheel Assembly	Brake Disc	Brake Assembly	Lining	Linings Per Wheel	Rivet or Mounting Pin	Shim Insulators	Pressure Plate
PA-31P (425 HP), PA-31-350 T-1020	Conversion Kit, 6.50-10	199-83	40-141	RA164-07700	30-123	RA066-06800	12	RA177-01600		
			40-130	RA164-07906	30-95A	RA066-06600	8	RA177-01600		
PA-31T Cheyenne I, IA, II	31-780015 and on		40-141	RA164-07700	30-123	RA066-06800	12	RA177-01600		
			40-106	RA164-03906	30-106	RA066-06800	16	RA177-01600	RA068-03100	
PA-31T, PA-31T1 PA-31T2	Conversion Kit, 6.50-10	199-89	40-106	RA164-03906	30-106	RA066-06800	16	RA177-01600	RA068-03100	
	Conversion Kit, 6.50-10	199-111	40-167	RA164-20600	30-142	RA066-07300	8	RA177-01600		
T-1040 PA-32-260 Cherokee Six "260"	32-1 and on		40-167	RA164-20600	30-142	RA066-07300	8	RA177-01600		
			40-90	RA164-02201	30-65	RA066-10500	4	RA105-00200		RA063-01100
PA-32-300 Cherokee Six "300"	1974 and on		40-90A	RA164-02300	30-65	RA066-10500	4	RA105-00200		RA063-01100
	All / Heavy Duty Option		40-120	RA164-21600	30-83	RA066-06200	4	RA177-00300	RA068-01100	RA063-01100
PA-32-300 Cherokee Six "300"	32-40000 and on		40-90	RA164-02201	30-65	RA066-10500	4	RA105-00200		RA063-01100
	1974 and on		40-90A	RA164-02300	30-65	RA066-10500	4	RA105-00200		RA063-01100
PA-32-300 Cherokee Six "300"	All / Heavy Duty Option		40-120	RA164-21600	30-83	RA066-06200	4	RA177-00300	RA068-01100	RA063-01100
	1976 and on		40-90A	RA164-02300	30-65	RA066-10500	4	RA105-00200		RA063-01100
PA-32R-300 Cherokee/Lance	Heavy Duty Option		40-120	RA164-21600	30-83	RA066-06200	4	RA177-00300	RA068-01100	RA063-01100
	7885002 and on		40-90A	RA164-02300	30-65	RA066-10500	4	RA105-00200		RA063-01100
PA-32RT-300 Lance II	Heavy Duty Option		40-120	RA164-21600	30-83	RA066-06200	4	RA177-00300	RA068-01100	RA063-01100
	7887001 and on		40-90A	RA164-02300	30-65	RA066-10500	4	RA105-00200		RA063-01100
PA-32RT-300T Turbo Lance II	Heavy Duty Option		40-120	RA164-21600	30-83	RA066-06200	4	RA177-00300	RA068-01100	RA063-01100
	7887001 and on		40-90A	RA164-02300	30-65	RA066-10500	4	RA105-00200		RA063-01100
PA-32-301, 301T Saratoga and SP Series	Heavy Duty Option		40-90A	RA164-02300	30-65	RA066-10500	4	RA105-00200		RA063-01100
	7250001 and on		40-120C	RA164-21600	30-83A	RA066-06200	4	RA177-00300	RA068-01100	RA063-01100
PA-34-200 Seneca	1974 and on		40-90	RA164-02201	30-65	RA066-10500	4	RA105-00200		RA063-01100
	Heavy Duty Option		40-120	RA164-21600	30-83	RA066-06200	4	RA177-00300	RA068-01100	RA063-01100
PA-34-200T Seneca II	7250001 and on		40-90A	RA164-02300	30-65	RA066-10500	4	RA105-00200		RA063-01100
	Heavy Duty Option		40-120	RA164-21600	30-83	RA066-06200	4	RA177-00300	RA068-01100	RA063-01100
PA-34-220T Seneca III, IV	Heavy Duty Option		40-90A	RA164-02300	30-65	RA066-10500	4	RA105-00200		RA063-01100
	7250001 and on		40-120C	RA164-21600	30-83A	RA066-06200	4	RA177-00300	RA068-01100	RA063-01100
PA-36 Pawnee Brave			40-101	RA164-03006	30-67B	RA066-10800	4	RA105-00200		
PA-38-112 Tomahawk	5.00-5 Tire		40-78B	RA164-01700	30-9, 9B	RA066-10600	2	RA105-00200		
	6.00-6 Tire		40-59D	RA164-06900	30-53A	RA066-11200	2	RA105-00200		
PA-39 Twin Comanche			40-90	RA164-02201	30-23	RA066-06500 (PP)	2	RA177-00300		
						RA066-06200 (BP)	2	RA177-00300		
Twin Comanche Also see PA-30										
PA-42 Cheyenne III, PA-42-720 IIIA	Conversion Kit, 6.50-10	199-112	40-166	RA164-07400	30-141	RA066-07300	8	RA177-01600		
PA-42-1000 (400LS) Cheyenne IV			40-176		30-150	RA109-00200 Wear Pad	30 Per Brake			
PA-44-180 Seminole	7995001 and on		40-90A	RA164-02300	30-65	RA066-10500	4	RA105-00200		RA063-01100
			40-120 (HD)	RA164-21600	30-83	RA066-06200	4	RA177-00300	RA068-01100	RA063-01100
PA-44-180T	1 and on		40-120 (HD)	RA164-21600	30-83	RA066-06200	4	RA177-00300	RA068-01100	RA063-01100
PA-46-310P Malibu, -350P Mirage			40-120C	RA164-21600	30-83A	RA066-06200	4	RA177-00300	RA068-01100	RA063-01100
PA-46-500 Meridian			40-142	RA164-07800	30-127D	RA066-06200	4	RA177-00300	RA068-01100	
PA-46-500TP Meridian			40-142	RA164-07800	30-127D	RA066-06200	4	RA177-00300	RA068-01100	
PA-600, -700 Series - see Aerostar										
Pitts - see Aviat										
Quest Aircraft Company										
Kodiak 100	Pressure Plate Assy. > Pressure Plate Assy. >		40-179	RA164-22201	30-182	RA066-03300	8	RA177-00300	RA068-02800	RA063-02500 RA073-08500 RA073-08502
			199-281	40-179	RA164-22201	30-182A	RA066-15300	8	RA177-00300	RA068-02800
RFB Rhein-Flugzeugbau GmbH - Subsidiary of MBB										
RFB 400/600 Fantreiner			40-96E	RA164-2504	30-61E	RA066-10500	4	RA105-00200		RA063-01100
Raytheon - see Beech										
Republic Seabee - See Stol Aircraft Corp.										
Rockwell International - Also see Grumman American (Single engine), Aero Commander (Twin Engine) or Thrush (Ag. Aircraft)										
112, 112A, B Alpine	1 thru 495		40-113A	RA164-04300	30-79	RA066-10500	2	RA105-00200		
	500 and on		40-75H	RA164-01501	30-52H	RA066-10500	4	RA105-00200		RA063-01100
112TC, 112TCA, 114, 114B Gran Turismo	13000 and on		40-75H	RA164-01501	30-52H	RA066-10500	4	RA105-00200		RA063-01100
Saab - USA										
MF1-15, MF1-17 Supporter AC, Mushshak			40-97-D	RA164-02601	30-63D, -63E	RA066-10500	2	RA105-00200		RA063-01200
Sadler Aircraft Corp.										
A-22 Lasa 18-100 OPV			40-78B	RA164-01700	30-9	RA066-10600	2	RA106-00200		
Schaefer Aircraft Modifications / Embraer - see Piper										

Note: Please confirm brake assembly number. Part numbers with 'RA' are Rapco products. For Reference ONLY. For installation eligibility see FAA-PMA supplement.



Manufacturer Model	Year / Serial Number Notes	Conv/Mod Kit #	Wheel Assembly	Brake Disc	Brake Assembly	Lining	Linings Per Wheel	Rivet or Mounting Pin	Shim Insulators	Pressure Plate
Schleicher										
ASW20, 21, 22, 23 Sailplane			40-78B	RA164-01700	30-9	RA066-10600	2	RA106-00200		
Schweitzer - also see Agcat										
SGS 1-34 Sailplane			OEM	OEM	30-9	RA066-10600	2	RA105-00200		
1-36 Glider			40-78	RA164-01700	30-9	RA066-10600	2	RA105-00200		RA063-01200
SIAI-Marchetti										
SF.205			40-97E	RA164-02601	30-63M	RA066-10500	2	RA105-00200		RA063-01200
SF.260, SF.260C					30-9	RA066-10600	2	RA105-00200		
SF.260SW Sea Warrior			40-90A	RA164-02300	30-65A	RA066-10500	4	RA105-00200		RA063-01100
SF.600TP			40-75	RA164-01501	30-52P	RA066-10500	2	RA105-00200		RA063-01100
SiberJet - see Sino Swearingen										
Slingsby Aviation										
T67M260			40-86B, -86F	RA164-02000	30-55	RA066-10500	2	RA105-00200		RA063-01200
T-3A, TR67GRP			40-407	RA164-24400	30-236	RA066-10500	2	RA105-00200		RA063-01200
Socata - See Daher										
Sportavia / RFB										
RF6C/RS180			40-86A	RA164-02000	30-55B	RA066-10500	2	RA105-00200		RA063-01200
Stinson - see Univair										
Stol Aircraft Corp. / Republic										
UC-1 Twin Bee	Stol Aircraft Corp. mod		40-74	RA164-00700	30-51A	RA066-10600	4	RA105-00200		
Swearingen Aircraft / Fairchild / SiberJet										
SA26-AT, SA26-T	Conversion Kit, 8.50-10	199-150	40-170	RA164-20900	30-144A	RA066-09000	8	RA105-00200		
SJ-30	Drive Key PN: RA205-02900		40-259							
Taylorcraft										
F-19 Sportsman 100			40-86	RA164-02000	30-55	RA066-10500	2	RA105-00200		RA063-01200
F-21, F-21A Trainer/Sport										
F22										
TECNAM										
P2002 Sierra, P2002 Sierra RG			40-78B	RA164-01700	30-9	RA066-10600	2	RA105-00200		
P2006T, P2006T MRI			40-49A	RA164-07500	30-59A	RA066-11200	2	RA105-00200		
P2008 US-LSA, P2008 JC			40-78B	RA164-01700	30-9	RA066-10600	2	RA105-00200		
P2020			40-59A	RA164-07500	30-59A	RA066-11200	2	RA105-00200		
Ted Smith Aerostar - see Aerostar										
The New Piper Aircraft Inc. - see Piper										
Textron see Beech or Cessna										
Thrush - also see Ayres, Marsh, or Rockwell										
T660P			40-279A	RA164-23002	30-210C	RA066-13100	8	RA105-06700		
Twin Commander - see Aero Commander										
Univair										
(Alon) Aircoupe A2, A2A	w/Cleveland Disc Brakes		40-97A	RA164-02601	30-63A	RA066-10500	2	RA105-00200		RA063-01200
(ERCO) Ercoupe 415-C, -CD, -D, -E, -G,	w/Cleveland Disc Brakes		40-41	RA164-00300	30-30	RA066-10500	2	RA105-00200		RA063-01100
(Forney) Aircoupe F-1, F-1A	w/Cleveland Disc Brakes		40-41	RA164-00300	30-30	RA066-10500	2	RA105-00200		RA063-01100
(Mooney) M10 Cadet/Coupe	w/Cleveland Disc Brakes		40-97A	RA164-02601	30-63, -63A	RA066-10500	2	RA105-00200		RA063-01200
(Piper) J-3 Cub	w/Cleveland Brake STC		40-60, -60A	RA164-06700	30-60, -60A	RA066-10600	4	RA105-00200		
(Piper) PA-11 Cub Special	w/Cleveland Brake STC		40-60	RA164-06700	30-60, -60A	RA066-10600	4	RA105-00200		
(Piper) PA-12 Super Cruiser	w/Cleveland Brake STC		40-60	RA164-06700	30-60, -60A	RA066-10600	4	RA105-00200		
(Piper) PA-14 Family Cruiser	w/Cleveland Disc Brakes		40-60	RA164-06700	30-60, -60A	RA066-10600	4	RA105-00200		
(Piper) PA-16 Clipper	w/Cleveland Disc Brakes		40-60	RA164-06700	30-60, -60A	RA066-10600	4	RA105-00200		
(Piper) PA-18 Super Cub	w/Cleveland Disc Brakes		40-60	RA164-06700	30-60, -60A	RA066-10600	4	RA105-00200		
(Piper) PA-18 Super Cub	w/Cleveland - 1.5" axles		40-84	RA164-01900	30-41, -41B	RA066-10600	4	RA105-00200		
(Piper) PA-20 Piper Cub	w/Cleveland Disc Brakes		40-60	RA164-06700	30-60, -60A	RA066-10600	4	RA105-00200		
(Piper) PA-20 Piper Cub	w/Cleveland - 1.5" axles		40-84	RA164-01900	30-41, -41B	RA066-10600	4	RA105-00200		
(Piper) PA-20/22 Piper Cub	w/Cleveland - 1.5" axles		40-84	RA164-01900	30-41, -41B	RA066-10600	4	RA105-00200		
(Stinson) 108, 108-1, -2, -3, -5	w/Cleveland - 7.00-6 Tire		40-28	RA164-00500	30-18	RA066-10600	2	RA105-00200		
	w/Cleveland, early model		40-97E	RA164-02601	30-63Q	RA066-10500	2	RA105-00200		RA063-01200

Note: Please confirm brake assembly number. Part numbers with 'RA' are Rapco products. For Reference ONLY. For installation eligibility see FAA-PMA supplement.



Manufacturer Model	Year / Serial Number Notes	Conv/Mod Kit #	Wheel Assembly	Brake Disc	Brake Assembly	Lining	Linings Per Wheel	Rivet or Mounting Pin	Shim Insulators	Pressure Plate
Valmer										
L-70 Milltrainer			40-75S, -75T	RA164-04800	30-52K	RA066-10500	4	RA105-00200		RA063-01100
L-90 TP Redigo			40-142	RA164-07800	30-127	RA066-06200	4	RA177-00300	RA068-01100	
Varga										
2150A, 2180 Kachina			40-97E	RA164-02601	30-63E	RA066-10500	2	RA105-00200		RA063-01200
Viking Air Limited - see de Havilland										
Vulcanair / Partenavia / G.A.F.										
P.64B, P.66B Oscar	1970 and on		40-28	RA164-00500	30-18	RA066-10600	2	RA105-00200		
P.68C-160, P.66T Charlie Trainer			40-86B	RA164-02000	30-55	RA066-10500	2	RA105-00200		RA063-01200
P.68, P.68B,			40-96E	RA164-02504	30-61E	RA066-10500	4	RA105-00200		RA063-01100
P.68C, P.68C-TC	Heavy Duty		40-142	RA164-07800	30-127	RA066-06200	4	RA177-00300	RA068-02800	
AP68TP300			40-163	RA164-20500	30-139	RA066-06200	8	RA177-00300	RA068-01100	RA063-01100
Waco - also see Classic Aircraft										
Meteor, Minerva, Vela			40-97A	RA164-02601	30-63A	RA066-10500	2	RA105-00200		RA063-01200
Wetherly										
201A, 201B, 201C, 620			40-101	RA164-03006	30-67D	RA066-10800	4	RA105-00200		
620	Heavy Duty Opt		40-101	RA164-03006	30-89B	RA066-10800	6	RA105-00200		RA063-01300
620A, 620TP			40-101E	RA164-03006	30-89B	RA066-10800	4	RA105-00200		RA063-01300
Wing Aircraft										
D-1 Deringer			40-84	RA164-01900	30-41B	RA066-10600	4	RA105-00200		

(PP) - Lining used on pressure plate. (BP) - Lining used on back plate. (HD) - Heavy Duty. N/A - Not Available

For reference only. For installation eligibility refer to the FAA-PMA Supplement.

32421



**Section 2:
Kit Planes**

Aircraft Make and Model	Wheel Size, # Bolt Holes & Size	Brake Kit No.	Wheel Assembly	Brake Disc	Brake Assembly	Lining	Linings per Wheel	Rivet or Mounting Pin	Shim Insulator	Pressure Plate
Aircraft Designs										
Stallion	6.00-6, Three 5/16"	199-60	40-75B	RA164-01501	30-52	RA066-10500	4	RA105-00200		RA063-01100
American Homebuilts										
John Doe STOL	6.00-6, Three 5/16"	199-104C	40-59A	RA164-07500*	30-59A	RA066-11200		RA105-00200		
	6.00-6, Three 1/4"	199-105C	40-113X	RA164-04000	30-75X	RA066-10500	2	RA105-00200		RA063-01200
Aviation Maintenance Ltd.										
Stearman 75	6.50-10, Nine 1/4"	199-167	40-256	RA164-03006	30-195	RA066-10800	4	RA105-00200		
D and J Harmon										
Harmon Rocket	5.00-5, Three 1/4"	199-152	40-151	RA164-08500	30-133	RA066-10500	2	RA105-00200		RA063-01200
D.L.F. Holdings										
Tango	5.00-5, Three 1/4"	199-152	40-151	RA164-09900*	30-133	RA066-10500	2	RA105-00200		RA063-01200
Dean Wilson										
Whitney Boomerang	5.00-5, Three 1/4"	199-102	40-78B	RA164-01700	30-9	RA066-10600	2	RA105-00200		
Epic										
LT (Drive Key PN: RA205-02900)			40-343							
Explorer Aeronautique										
Private Explorer Standard	6.00-6, Three 5/16"	199-62	40-75D	RA164-03601	30-52N	RA066-10500	4	RA105-00200		RA063-01100
Private Explorer Float Equipped	7.50-10, Three 1/4"		40-101	RA164-03006	30-67B	RA066-10800	4	RA105-00200		
Express Aircraft										
Express 2000 / 2000RG	6.00-6, Three 5/16"	199-60	40-75B	RA164-01501	30-52	RA066-10500	4	RA105-00200		RA063-01100
Four Winds Aircraft										
192 / 210 / 250T	6.00-6, Three 5/16"	199-60	40-75B	RA164-01501	30-52	RA066-10500	4	RA105-00200		RA063-01100
Hensley Aircraft										
F-19 Wolf Aerobatic	6.00-6, Three 5/16"	199-46	40-97A	RA164-02601	30-63A	RA066-10500	2	RA105-00200		RA063-01200
F-19 Wolf Utility	6.00-6, Three 5/16"	199-62	40-75B	RA164-01501	30-52	RA066-10500	4	RA105-00200		RA063-01100
Lancair										
Lancair IV Standard	6.00-6, Three 5/16"	199-208	40-96E	RA164-02504	30-61E	RA066-10500	4	RA105-00200		RA063-01100
Lancair IV High Energy	6.00-6, Three 5/16"	199-224	40-406	RA164-02504	30-233	RA066-06200	4	RA177-00300	RA068-01100	RA063-01100
Lancair IV High Energy Upgrade		199-224A			30-233	RA066-06200		RA177-00300	RA068-01100	RA063-01100
Legacy FG / RG, 2000	5.00-5, Three 1/4"	199-152	40-151	RA164-08500	30-133	RA066-10500	2	RA105-00200		RA063-01200
Murphy Manufacturing										
Rebel, SR2500 Supre Rebel, Maverick Renegade Spirit, Elite	6.00-6, Six 1/4"	199-71	40-60A	RA164-06700	30-60A	RA066-10600	4	RA105-00200		
Pacific Aerosystems										
Sky Aero	5.00-5, Three 1/4"	199-102	40-78B	RA164-01700	30-9	RA066-10600	2	RA105-00200		
F300	6.00-6, Three 5/16"	199-60A	40-75B	RA164-01501	30-52N	RA066-10500	4	RA105-00200		RA063-01100
Performance Aircraft										
Legend	6.00-6, Three 5/16"		40-96E	RA164-02504	30-61E	RA066-10500	4	RA105-00200		RA063-01100
Pitts										
S1-C, S1-S (Pitts Special)	5.00-5, Three 1/4"	199-102	40-78B	RA164-01700	30-9	RA066-10600	2	RA105-00200		
	5.00-5, Three 1/4"	199-103	40-78J	RA164-01700	30-9C	RA066-10600	2	RA105-00200		
Rans										
S-7C	6.00-6, Three 5/16"	199-104	40-59A	RA164-07500*	30-59A	RA066-11200	2	RA105-00200		
	6.00-6	199-204	40-281		30-214	RA066-10500	2	RA105-00200		RA063-01200
S-16	5.00-5, Three 1/4"	199-102	40-78B	RA164-01700	30-9	RA066-10600	2	RA105-00200		
SkyStar Aircraft										
Kit Fox	6.00-6	199-215	40-281		30-224	RA066-10500	2	RA105-00200		RA063-01200
Pulsar	5.00-5, Three 1/4"	199-102	40-78B	RA164-01700	30-9	RA066-10600	2	RA105-00200		
Steen Aero Lab										
Skybolt	6.00-6, Three 5/16"	199-104	40-59A	RA164-07500*	30-59A	RA066-11200	2	RA105-00200		
	6.00-6, Three 1/4"	199-105	40-113X	RA164-04000	30-75X	RA066-10500	2	RA105-00200		RA063-01200
Stolp Starduster										
SA-100, SA-101, SA-300, SA-500, SA-750, SA-900	5.00-5, Three 1/4"	199-103	40-78J	RA164-01700	30-9C	RA066-10600	2	RA105-00200		
	6.00-6, Three 5/16"	199-104	40-59A	RA164-07500*	30-59A	RA066-11200	2	RA105-00200		
Ultravia Aero Int'l										
Pelican PL912/914	5.00-5, Three 1/4"	199-102	40-78B	RA164-01700	30-9	RA066-10600	2	RA105-00200		
Vans Aircraft										
RV-3 thru RV-9	5.00-5, Three 1/4"	199-102	40-78B	RA164-01700	30-9	RA066-10600	2	RA105-00200		
RV10	6.00-6, Three 5/16"	199-104	40-59A	RA164-07500*	30-59A	RA066-11200	2	RA105-00200		
Velocity Aircraft										
SE / XL	6.00-6, Three 5/16"	199-60	40-75B	RA164-01501	30-52	RA066-10500	4	RA105-00200		RA063-01100
Wag Aero										
Sport Trainer, Observer, Acro Trainer, Acro Sport I & II, Wag-a-bond Classic, Super Sport, Wag-a-bond Traveler, Sportsman 2+2, Wag-a bond	5.00-5, Three 1/4"	199-102	40-78B	RA164-01700	30-9	RA066-10600	2	RA105-00200		
	5.00-5, Three 1/4"	199-103	40-78J	RA164-01700	30-9C	RA066-10600	2	RA105-00200		
	6.00-6, Three 5/16"	199-104	40-59A	RA164-07500*	30-59A	RA066-11200	2	RA105-00200		
	6.00-6, Three 1/4"	199-105	40-113X	RA164-04000	30-75X	RA066-10500	2	RA105-00200		RA063-01200
Zenair										
6.00x6: CH200, 250, 300 (Tri-Z), Zipper, Cricket MC-15, Stol CH-701	5.00-5, Three 1/4"	199-102	40-78B	RA164-01700	30-9	RA066-10600	2	RA105-00200		
	6.00-6, Three 5/16"		40-59A	RA164-07500*						

* RA164-09900 and RA164-07500 are for used only on experimental or non U.S type certificated aircraft.

For reference only. For installation eligibility refer to the FAA-PMA Supplement.



Section 3:
Experimental Aircraft

Manufacturer Model	Wheel Size, # Bolt Holes & Size	Brake Kit No.	Wheel Assembly	Brake Disc	Brake Assembly	Lining	Linings per Wheel	Rivet or Mounting Pin	Shim Insulator	Pressure Plate
Experimental	6.00-6, Three 5/16"	199-60A	40-75B	RA164-01501	30-52N	RA066-10500	4	RA105-00200		RA063-01100
Experimental	6.00-6, Three 5/16"	199-25301	40-75B	RA164-01501	30-52	RA066-10500	4	RA105-00200		RA063-01100
Experimental	5.00-5, Three 1/4"	199-103	40-78A	RA164-01700	30-9C	RA066-10600	2	RA105-00200		
Experimental	5.00-5, Three 1/4"	199-102	40-78B	RA164-01700	30-9	RA066-10600	2	RA105-00200		
Experimental	5.00-5, Three 1/4"	199-103	40-78J	RA164-01700	30-9C	RA066-10600	2	RA105-00200		
Experimental	5.00-5, Three 1/4"	199-103	40-78J	RA164-01700	30-9C	RA066-10600	2	RA105-00200		
Experimental	5.00-5, Three 1/4"	199-152	40-151	RA164-08500	30-133	RA066-10500	2	RA105-00200		
Experimental	5.00-5, Three 1/4"	199-19700	40-151	RA164-08500	30-164	RA066-06200	2	RA177-00300		
Experimental	5.00-5, Three 1/4"	199-152A	40-151A	RA164-08500	30-133	RA066-10500	2	RA105-00200		
Experimental	5.00-5, Three 1/4"	199-93	40-230	RA164-09900*	30-181A	RA066-10600	2	RA105-00200		
Experimental	6.00-6, Three 5/16"	199-104	40-59A	RA164-07500*	30-59A	RA066-11200	2	RA105-00200		
Experimental	6.00-6, Three 5/16"	199-104C	40-59A	RA164-07500*	30-59A	RA066-11200	2	RA105-00200		
Experimental	6.00-6, Six 1/4"	199-71	40-60A	RA164-06700	30-60A	RA066-10600	4	RA105-00200		
Experimental	6.00-6, Three 5/16"	199-60	40-75B	RA164-01501	30-52	RA066-10500	4	RA105-00200		RA063-01100
Experimental	6.00-6, Three 5/16"	199-62	40-75D	RA164-03601	30-52N	RA066-10500	4	RA105-00200		RA063-01100
Experimental	6.00-6, Three 5/16"	199-208	40-96E	RA164-02504	30-61E	RA066-10500	4	RA105-00200		RA063-01100
Experimental	6.00-6, Three 5/16"	199-46	40-97A	RA164-02601	30-63A	RA066-10500	2	RA105-00200		RA063-01200
Experimental	6.00-6 Three 1/4"	199-105C	40-113X	RA164-04000	30-75X	RA066-10500	2	RA105-00200		
Experimental	6.00-6, Three 5/16"	199-224	40-406	RA164-02504	30-233	RA066-06200	4	RA177-00300	RA068-01100	RA063-01100
Experimental	6.00-6, Three 1/4"	199-08400	40-113	RA164-04000	30-75	RA066-10500	2	RA105-00200		
Experimental	6.00-6, Three 1/4"	199-08401	40-113	RA164-04000	30-75A	RA066-10500	2	RA105-00200		
Experimental	6.00-6, Six 1/4"	199-20400	40-281		30-214	RA066-10500	2	RA105-00200		
Experimental	6.00-6, Six 1/4"	199-22300	40-281		30-214B	RA066-10500	2	RA105-00200		
Experimental	6., 7., or 8.00-6, Six 1/4"	199-251	40-281		30-224	RA066-10500	2	RA105-00200		

* RA164-09900 and RA164-07500 are for used only on experimental or non U.S type certificated aircraft.

For reference only.

112219

Section 4:
Floatplane - Original Equipment Floats

Manufacturer Model	Year / Serial Number Notes	Conv/Mod Kit #	Wheel Assembly	Brake Disc	Brake Assembly	Lining	Linings Per Wheel	Rivet or Mounting Pin	Shim Insulators	Pressure Plate
Aerocet										
3500 Series			40-418A 40-118C		30-241	RA066-10500	4	RA105-00200		RA063-01100
Baumann Floats										
BF2150			40-78A	RA164-01700	30-9C	RA066-10600	2	RA105-00200		
BF2550										
BF2750			40-481A		30-241	RA066-10500	4	RA105-00200		RA063-01100
Wipaire										
2100/2350 Series			40-78A	RA164-01700	30-9C	RA066-10600	2	RA105-00200		
3700/4000 Series			40-78J							
3000/3450 Series			40-418		30-241	RA066-10500	4	RA105-00200		RA063-01100
6000/8000/8750 Series			40-118B							
10000/13000 Series			40-101 40-101D	RA164-03006	30-67C	RA066-10800	4	RA105-00200		
Floatplane - Conversion Floats										
Edo										
	6.00-6		40-74		30-51	RA066-10600	4	RA105-00200		
	6.00-6		40-74A		30-51	RA066-10600	4	RA105-00200		

For reference only.

21020



Section 5:

McCauley Brake Disc - Cross Reference and Comparison Guides

McCauley wheels are identified by their six spoke pattern. Cleveland wheels are solid having a solid dish like appearance. Always be sure to compare your disc with the dimensional comparison guide at the end of this section.

McCauley Wheel Assembly P/N - Cross Reference To Brake Disc

Aircraft Model	Year	Bolt Holes	Overall Depth	McCauley Wheel Assy.	McCauley Brake Disc	RAPCO Brake Disc
150, A150, 152	1971 to 1973	6 - 1/4"	1.964"	D-30063	B-30007 *	N/A
F150, F152	1973 to 1976	6 - 5/16"	2.070"	D-30260	B-30195	RA164-30195
FA152 (Reims)	1976	6 - 5/16"	2.070"	D-30580	B-30195	RA164-30195
	1976 to 1977	6 - 5/16"	1.965"	D-30291-6	B-30440	RA164-30440
	1977	3 - 5/16"	1.515"	D-30600-1	C-30615-1	RA164-30615-1
	1978 and on	3 - 5/16"	1.515"	D-30660-1	C-30615-1	RA164-30615-1
172, R172	1971 to 1973	6 - 1/4"		D-30063	B-30007*	N/A
F172 (Reims)	1973 to 1976	6 - 5/16"	2.070"	D-30260	B-30195	RA164-30195
FR172 (Reims)	1976	6 - 5/16"	2.070"	D-30580	B-30195	RA164-30195
	1977	3 - 5/16"	1.515"	D-30600-1	C-30615-1	RA164-30615-1
	1978 and on	3 - 5/16"	1.515"	D-30660-1	C-30615-1	RA164-30615-1
172RG Cutlass	1980 and on	3 - 5/16"	1.515"	D-30660-1	C-30615-1	RA164-30615-1
177, 177RG	1975	6 - 5/16"	2.070"	D-30580	B-30195	RA164-30195
F177RG	1976	6 - 5/16"	1.965"	D-30291-6	B-30440	RA164-30440
F177RG (Reims)	1977	3 - 5/16"	1.515"	D-30600-1	C-30615-1	RA164-30615-1
	1978 and on	3 - 5/16"	1.515"	D-30660-1	C-30615-1	RA164-30615-1
180 Series Skywagon	1973 to 1974			D-30063-1		
	1974	6 - 5/16"	2.155"	D-30291-3	C-30414	RA164-30414
				D-30063-4		
		6 - 5/16"	2.335"	D-30291-1	C-30388	RA164-30388
1978 and on	3 - 5/16"	1.890"	D-30660-2	C-30615-2	RA164-30615-2	
182 Series	1976	6 - 5/16"	1.965"	D-30291-6	B-30440	RA164-30440
F182 (Reims)	1977	3 - 5/16"	1.515"	D-30600-1	C-30615-1	RA164-30615-1
	1978 to 1980	3 - 5/16"	1.515"	D-30660-1	C-30615-1	RA164-30615-1
T182	1981 and on	3 - 5/16"	1.660"	D-30660-3	C-30615-3	RA164-30615-3
185 Series Skywagon	1973 to 1974			D-30063-1		
	1974	6 - 5/16"	2.155"	D-30291-3	C-30414	RA164-30414
				D-30063-4		
		6 - 5/16"	2.335"	D-30291-1	C-30388	RA164-30388
1978 and on	3 - 5/16"	1.890"	D-30660-2	C-30615-2	RA164-30615-2	
206 Series	1974			D-30063-2		
	1974 to 1978	6 - 5/16"	2.100"	D-30291-2	C-30398	RA164-30398
	1978 and on	3 - 5/16"	1.660"	D-30660-3	C-30615-3	RA164-30615-3
	1974			D-30063-4		
	1974 to 1978 (8.00x6)	6 - 5/16"	2.335"	D-30291-1	C-30388	RA164-30388
	1978 and on (8.00x6)	3 - 5/16"	1.890"	D-30660-2	C-30615-2	RA164-30615-2
210 Series	1974			D-30063-2		
	1974 to 1978	6 - 5/16"	2.100"	D-30291-2	C-30398	RA164-30398
	1978 and on	3 - 5/16"	1.660"	D-30660-3	C-30615-3	RA164-30615-3

*McCauley Brake Disc P/N: B-30007 with Six mounting holes for 1/4" bolts. Try web search.

For reference only.



Section: 6

McCauley Brake Disc Comparison Guide

McCauley wheel assemblies can be identified by their six spoke design as compared to Cleveland wheels which have a smooth dish like appearance. To confirm you are purchasing the same disc as on your aircraft, count the number of bolt holes then measure the overall depth of your disc from the outside of the mounting flange to the outside of the wear surface, then compare it with the chart below. McCauley brake assemblies require the RA066-30026 replacement linings with a whole spread of 1.75".

Section 6

McCauley Brake Disc Dimensions Guide

Brake Disc		Specifications						Wheel Assemblies With Which Disc Is Used In	
RAPCO Disc PN	McCauley Disc PN	Bolt Hole, Quantity & Size	Overall Depth	Overall Diameter	OD Base	Wear Surface Thickness	Minimum Wear Thickness	McCauley Wheel Assembly PN	Cessna Wheel Assembly PN
N/A	B-30007	6 Hole, (1/4")	1.964"					D-30063	C163002-0101
RA164-30195	B-30195	6 Hole, 0.320 (5/16")	2.070"	7.495"	5.490"	0.225"	0.190"	D-30260 or D-30580	C163003-0101 or C163003-0102
RA164-30388	C-30388	6 Hole, 0.320 (5/16")	2.335"	7.495"	5.490"	0.355"	0.325"	D-30291-1 or -5	C163004-0101
RA164-30398	C-30398	6 Hole, 0.320 (5/16")	2.100"	7.495"	5.490"	0.355"	0.325"	D-30291-2	C163004-0102 or C163006-0103
RA164-30414	C-30414	6 Hole, 0.320 (5/16")	2.155"	7.495"	5.490"	0.355"	0.325"	D-30291-3	C163004-0103
RA164-30440	B-30440	6 Hole, 0.320 (5/16")	1.965"	7.495"	5.490"	0.215"	0.190"	D-30291-4 or -6	C163004-0104
RA164-30615-1	C-30615-1 or -4	3 Hole, 0.320 (5/16")	1.515"	7.495"	5.485"	0.215"	0.190"	D-30600-1	C163005-0101 or C163006-0101
RA164-30615-2	C-30615-2	3 Hole, 0.320 (5/16")	1.890"	7.495"	5.500"	0.355"	0.330"	D-30660-2	C163006-0102
RA164-30615-3	C-30615-3	3 Hole, 0.320 (5/16")	1.660"	7.495"	5.500"	0.355"	0.330"	D-30660-3	C163006-0103

For reference only. For installation eligibility refer to the FAA-PMA Supplement.

32921

Brake Lining Installation Tool RA825 RIVET TOOL



Quality Manufactured tool for installing most general aviation style brake linings using Rapco Brass Rivets.

- * Complete with: Rivet Punch, Set, and Anvil for setting rivets.
- * More convenient and easier to use than most punch style tools.
- * Will not crack or distort brake linings.
- * Can be used in vise or hand held.



Cessna Wheel Assembly P/N - Cross Reference To Brake Disc

Cessna Model	Bolt Hole Quantity,	Overall Depth	Cessna Wheel Assy.	McCauley Brake Disc	RAPCO Brake Disc
150, 150A	Six, 5/16"	1.965"	C163004-0104	B-30440	RA164-30440
	Six, 5/16"	2.070"	C163003-0101 or C163003-0102	B-30195	RA164-30195
	Six, 1/4"	1.964"	C163002-0101	B-30007	N/A
152, A152, F152, FA152	Three, 5/16"	1.515"	C163005-0101 or C163006-0101	C-30615-1	RA164-30615-1
172, F172, R172, FR172	Six, 5/16"	1.965"	C163004-0104	B-30440	RA164-30440
	Six, 5/16"	2.070"	C163003-0101 or C163003-0102 or C163004-0104	B-30195	RA164-30195
	Six, 1/4"		C163002-0101	B-30007	N/A
172, F172, 172RG	Three, 5/16"	1.515"	C163006-0101	C-30615-1	RA164-30615-1
177 177RG	Three, 5/16"	1.515"	C163005-0101	C-30615-1	RA164-30615-1
	Three, 5/16"	1.515"	C163005-0101 or C163006-0101	C-30615-1	RA164-30615-1
180	Six, 5/16"	2.155"	C163004-0103	C-30414	RA164-30414
	Six, 5/16"	2.335"	C163004-0101	C-30388	RA164-30388
	Three, 5/16"	1.660"	C163006-0103 Std.	C-30615-3	RA164-30615-3
	Three, 5/16"	1.890"	C163006-0102 HD	C-30615-2	RA164-30615-2
182, F182 R182, FR182, TR182	Three, 5/16"	1.515"	C163006-0101 C163006-0103	C-30615-1	RA164-30615-1
	Three, 5/16"	1.660"	C163006-0103	C-30615-3	RA164-30615-3
185	Six, 5/16"	2.155"	C163004-0103	C-30414	RA164-30414
	Six, 5/16"	2.335"	C163004-0101	C-30388	RA164-30388
	Three, 5/16"	1.660"	C163006-0103 Std.	C-30615-3	RA164-30615-3
	Three, 5/16"	1.890"	C163006-0102 HD	C-30615-2	RA164-30615-2
U206, TU206	Six, 5/16"	2.100"	C163004-0102	C-30398	RA164-30398
	Six, 5/16"	2.335"	C163004-0101	C-30388	RA164-30388
	Three, 5/16"	1.660"	C163006-0103 Std.	C-30615-3	RA164-30615-3
	Three, 5/16"	1.890"	C163006-0102 HD	C-30615-2	RA164-30615-2
210, T210, P210	Six, 5/16"	2.100"	C163006-0103	C-30398	RA164-30398
	Three, 5/16"	1.660"	C163006-0103	C-30615-3	RA164-30615-3

For reference only.

111320



RAPCO inc. BRAKE COMPONENT CROSS REFERENCE with Minimum Wear Thickness Specifications

FAA-PMA Approved

Brake Discs, Linings, Overhaul Kits, Rivets, Mounting Pins, Pressure Plates, Shim Insulators, Drive Keys
Drive Keys and Pressure Plate Assemblies

Brake Discs

RAPCO	Cleveland		McCauley	Piper	Bolt Holes Quantity - Size	Slotted Disc	Minimum Wear Thickness In./mm
	Current	Superseded					
RA164-00206	164-00206	164-2F		754-650	3 - 1/4"		***
RA164-00300	164-00300	164-3			3 - 5/16"		0.205" / 5.207 mm
RA164-00400	164-00400	164-4			3 - 1/4"		0.162" / 4.115 mm
RA164-00500	164-00500	164-5		754-518 758-517	3 - 1/4"		0.157" / 3.988 mm
RA164-00700	164-00700	164-7			3 - 1/4"		0.345" / 8.763 mm
RA164-00806	164-00806	164-8F			9 - 1/4"		0.334" / 8.484 mm
RA164-00900	164-00900 164-00100	164-9 164-1		754-530	3 - 1/4"		0.227" / 5.766 mm
RA164-01000	164-01000	164-10		754-831	6 - 1/4"		0.345" / 8.763 mm
RA164-01300	164-01300	164-13		754-528	3 - 1/4"		0.227" / 5.764 mm
RA164-01406	164-01406	164-14F			9 - 1/4"		0.334" / 8.484 mm
RA164-01501	164-01501	164-15A			3 - 5/16"		0.327" / 8.306 mm
RA164-01506	164-01506	164-15F			3 - 5/16"		0.327" / 8.306 mm
RA164-01600	164-01600	164-16			3 - 5/16"		0.157" / 3.988 mm
RA164-01700	164-01700	164-17		754-617	3 - 1/4"		0.167" / 4.242 mm
RA164-01900	164-01900	164-19		754-545	3 - 5/16"		0.227" / 5.766 mm
RA164-02000	164-02000	164-20		754-535	3 - 5/16"		0.205" / 5.207 mm
RA164-02201	164-02201	164-22A		754-554	3 - 5/16"		0.345" / 8.763 mm
RA164-02300	164-02300	164-23		754-643	3 - 5/16"		0.345" / 8.763 mm
RA164-02504	164-02504 164-02501	164-25A			3 - 5/16"		0.445" / 11.303 mm
RA164-02505	164-02505 164-02503 164-02502	164-25C 164-25B			3 - 5/16"		0.445" / 11.303 mm
RA164-02601	164-02601	164-26A			3 - 5/16"		0.205" / 5.207 mm
RA164-02706	164-02706	164-27F			6 - 5/16"		0.330" / 8.382 mm
RA164-02707	164-02707	164-27G			6 - 5/16"		0.330" / 8.382 mm
RA164-02800	164-02800	164-28			6 - 1/4"		0.227" / 5.766 mm
RA164-03006	164-03006	164-30F			9 - 1/4"		0.282" / 7.163 mm
RA164-03106	164-03106	164-31F			9 - 1/4"		0.163" / 4.140 mm
RA164-03206	164-03206	164-32F		754-651 760-538	3 - 1/4"		***
RA164-03300	164-03300	164-33		754-562	3 - 5/16"		0.235" / 5.969 mm
RA164-03506	164-03506	164-35F			9 - 1/4"		0.260" / 6.604 mm
RA164-03601	164-03601 164-03600	164-36A 164-36			3 - 5/16"		0.327" / 8.306 mm
RA164-03906	164-03906 164-03900	164-39F 164-39			9 - 5/16"		0.600" / 15.240 mm
RA164-04000	164-04000	164-40			3 - 1/4"		0.205" / 5.207 mm
RA164-04300	164-04300	164-43			3 - 1/4"		0.205" / 5.207 mm
RA164-04406	164-04406	164-44F			9 - 1/4"		0.334" / 8.484 mm
RA164-04800 *	164-04800	164-48			3 - 5/16"		0.327" / 8.306 mm
RA164-05006	164-05006 164-05000	164-50F 164-50		456-818	6 - 5/16"		0.475" / 12.065 mm
RA164-05500	164-05500 164-07600	164-55 164-76			9 - 5/16"	Slotted	0.492" / 12.497 mm
RA164-05700	164-05700	164-57		754-612	3 - 1/4"		0.525" / 13.335 mm
RA164-05806	164-05806	164-58F			9 - 5/16"		0.395" / 10.033 mm
RA164-06106	164-06106	164-61F			6 - 5/16"	Slotted	0.475" / 12.065 mm
RA164-06306	164-06306	164-63F			9 - 5/16"	Slotted	0.465" / 11.811 mm
RA164-06406	164-06406	164-64F			9 - 1/4"	Slotted	0.465" / 11.811 mm
RA164-06506	164-06506	164-65F			6 - 5/16"		0.240" / 6.096 mm
RA164-06700	164-06700	164-67			6 - 1/4"		0.220" / 5.588 mm
RA164-06900	164-06900	164-69			3 - 5/16"		0.205" / 5.207 mm
RA164-07200	164-07200	164-72			8 - 3/8"	Slotted	0.492" / 12.497 mm
RA164-07400	164-07400	164-74			8 - 5/16"	Slotted	0.492" / 12.497 mm
RA164-07500 *	164-07500	164-75			3 - 5/16"		0.205" / 5.207 mm
RA164-07700	164-07700	164-77		754-642	9 - 5/16"	Slotted	0.470" / 11.938 mm
RA164-07800	164-07800	164-78			6 - 5/16"	Slotted	0.450" / 11.43 mm

* Indicates a disc part number for use on experimental aircraft.

*** For minimum wear thickness on Piper Aztec brake disc RA164-00206 or RA164-03206 perform the following procedure. First measure the linings to make sure they are each above the minimum wear of 0.100 inch or (0.76 mm) thick, if not replace. Next measure the cumulative thickness of the two linings, the pressure plate and the brake disc. If the cumulative thickness of these four items is less than 1.00 inch (25.40 mm) the disc is considered to be below minimum wear thickness and should be replaced. **For reference only.**



Section 5 - Cross Reference Brake Discs

RAPCO	Cleveland		McCauley	Piper	Bolt Holes Quantity - Size	Slotted Disc	Minimum Wear Thickness In./mm
	Current	Superseded					
RA164-07906	164-07906 164-05200	164-79F 164-52			9 - 1/4"	Slotted	0.465" / 11.811 mm
RA164-08100 *	164-08100	164-81			6 - 5/16"	Slotted	0.450" / 11.430 mm
RA164-08200	164-08200	164-82			6 - 5/16"	Slotted	0.327" / 8.306 mm
RA164-08300	164-08300	164-83			6 - 5/16"		0.327" / 8.306 mm
RA164-08406	164-08406	164-84F			6 - 5/16"	Slotted	0.330" / 8.302 mm
RA164-08500	164-08500	164-85			3 - 1/4"		0.325" / 8.255 mm
RA164-09100	164-09100	164-91			9 - 5/16"	Slotted	0.492" / 12.497 mm
RA164-09900 *	164-09900	164-99			3 - 1/4"		0.275" / 6.985 mm
RA164-20206	164-20206	164-202F			9 - 5/16"		0.334" / 8.484 mm
RA164-20306	164-20306	164-203F			6 - 5/16"	Slotted	0.465" / 11.811 mm
RA164-20500	164-20500	164-205			6 - 5/16"	Slotted	0.525" / 13.335 mm
RA164-20600	164-20600	164-206		754-658	8 - 5/16"	Slotted	0.455" / 11.557 mm
RA164-20700	164-20700	164-207			8 - 5/16"	Slotted	0.410" / 10.414 mm
RA164-20806	164-20806	164-208F			6 - 5/16"	Slotted	0.475" / 12.065 mm
RA164-20900	164-20900	164-209			8 - 3/8"	Slotted	0.410" / 10.414 mm
RA164-21000	164-21000	164-210			6 - 3/8"	Slotted	0.436" / 11.074 mm
RA164-21100 *	164-21100	164-211			9 - 5/16"	Slotted	0.492" / 12.497 mm
RA164-21200 *	164-21200	164-212			9 - 5/16"		0.327" / 8.306 mm
RA164-21600	164-21600	164-216		754-686	6 - 5/16"	Slotted	0.405" / 10.287 mm
RA164-21900	164-21900	164-219			9 - 5/16"	Slotted	0.590" / 14.986 mm
RA164-22000	164-22000	164-220			8 - 3/8"	Slotted	0.360" / 9.144 mm
RA164-22201	164-22201	164-222A			9 - 5/16"	Slotted	0.537" / 13.640 mm
RA164-22202	164-22202	164-222B			9 - 1/4"	Slotted	0.537" / 13.640 mm
RA164-22400	164-22400	164-224			9 - 3/8"	Slotted	0.385" / 9.779 mm
RA164-22900	164-22900	164-229			8 - 3/8"	Slotted	0.410" / 10.414 mm
RA164-23000	164-23000	164-230			9 - 3/8"	Slotted	0.565" / 14.351 mm
RA164-23001	164-23001				9 - 3/8"	Slotted	0.582" / 14.783 mm
RA164-23002	164-23002				9 - 3/8"	Slotted	0.582" / 14.783 mm
RA164-24200	164-24200	164-242			3 - 1/4"		0.167" / 4.242 mm
RA164-24400	164-24400	164-244			3 - 5/16"		0.290" / 7.366 mm
RA164-30195	164-30195	164-09300 164-93	B-30195		6 - 5/16"		0.190" / 4.826 mm
RA164-30388	164-30388	164-09700 164-97	C-30388		6 - 5/16"		0.325" / 8.255 mm
RA164-30398	164-30398	164-09600 164-96	C-30398		6 - 5/16"		0.325" / 8.255 mm
RA164-30414	164-30414	164-09500 164-95	C-30414		6 - 5/16"		0.325" / 8.255 mm
RA164-30440	164-30440	164-09200 164-92	B-30440		6 - 5/16"		0.190" / 4.826 mm
RA164-30615-1	164-30615-1	164-08800 164-88	C-30615-1 C-30615-4		3 - 5/16"		0.190" / 4.826 mm
RA164-30615-2	164-30615-2	164-08900 164-89	C-30615-2		3 - 5/16"		0.330" / 8.382 mm
RA164-30615-3	164-30615-3	164-09000 164-90	C-30615-3		3 - 5/16"		0.330" / 8.382 mm

* Asterisks denotes that the particular disc is for an experimental aircraft and not FAA approved for installation on US TC'd aircraft.

*** For minimum wear thickness on Piper Aztec brake disc RA164-00206 or RA164-03206 perform the following procedure.

First measure the linings to make sure they are each above the minimum wear of 0.100 inch or (0.76 mm) thick, if not replace.

Next measure the cumulative thickness of the two linings, the pressure plate and the brake disc.

If the cumulative thickness of these four items is less than 1.00 inch (25.4 mm) the disc is considered to be below minimum wear thickness and should be replaced. For reference only.



Section 5 - Cross Reference Linings

Linings

For Minimum Wear Thickness see notation below.

RAPCO		Cleveland		McCauley	Beechcraft	Cessna	Piper	# Rivet Holes or Mounting Holes	Rivets & Mounting Pins
Current P/N	Superseded	Current P/N	Superseded						
Metallic (Sintered Steel)									
RA066-02200	RA66-22	066-02200	66-22			66-22	579-467	2 Mounting Holes	RA177-00300
RA066-03300	RA66-33	066-03300	66-33			66-33	752-363	2 Mounting Holes	RA177-00300, or RA177-00400
RA066-04400	RA66-44	066-04400	66-44					2 Mounting Holes	RA177-00300
RA066-06200	RA66-62 RA66-19 RA66-105M	066-06200	66-62 66-19			66-36	761-197 752-336	2 Mounting Holes 2 Mounting Holes	RA177-00300
RA066-06400		066-06400	66-64					2 Mounting Holes	RA177-01600
RA066-06500	RA66-65 RA66-15 **	066-06500	66-65 66-15 **				761-196 752-335 **	2 Mounting Holes 4 Mounting Holes	RA177-00300
RA066-06600	RA66-66	066-06600	66-66				761-211	2 Mounting Holes	RA177-01600
RA066-06700		066-06700						2 Mounting Holes	RA177-00300
RA066-06800	RA66-68	066-06800	66-68				761-212	2 Mounting Holes	RA177-01600
RA066-07300		066-07300	66-73					3 Mounting Holes	RA177-01600
RA066-09000		066-09000	66-90 66-79					3 Mounting Holes & 1 Rivet Holes	RA177-01600 & RA105-00200
RA066-09100		066-09100	66-91					Direct Mounting	None
RA066-09200		066-09200	66-92					Direct Mounting	None
RA066-09700		066-09700	66-97					2 Mounting Holes	RA177-00300
RA066-10000		066-10000	66-100					3 Mounting Holes & 1 Rivet Holes	RA177-01600 & RA105-00200
RA066-15300		066-15300						2 Mounting Holes	RA177-00300
Organic (Semi Metallic)									
RA066-10500	RA66-105	066-10500	066-03000 66-105 66-55 (HD) 66-30		36-8001-23	66-30	752-342	2 Rivet Holes	RA105-00200
RA066-10600	RA66-106	066-10600	66-106 66-57 (HD) ** 66-56 (HD) 66-3 ** 66-2			3007 ** 3006	752-309 ** 752-308 ** 761-202	3 Rivet Holes 6 Rivet Holes 3 Rivet Holes 6 Rivet Holes 3 Rivet Holes	RA105-00200 RA105-00200
RA066-10800	RA66-108	066-10800	66-108 66-59 (HD) 66-35			66-35		2 Rivet Holes	RA105-00200
RA066-11000		066-11000	66-110 66-39					2 Rivet Holes	RA105-00200
RA066-11100	RA66-111	066-11100	66-111 66-58 (HD) 66-4		35-204	35-204	752-338	3 Rivet Holes	RA105-00200
RA066-11200	RA66-112	066-11200	66-112 66-71 (HD)				761-239	2 Rivet Holes	RA105-00200
RA066-13100		066-13100						3 Rivet Holes	RA105-06700
RA066-14100		066-14100						3 Rivet Holes	RA105-00200
RA066-14800		066-14800						3 Rivet Holes	RA105-00200
RA066-30026	RA66-109	066-30026	66-109 66-88 (HD) 66-87	B-30026		B30026		2 Rivet Holes	RA105-00200

** Obsolete double length lining replaced by two each of the current part number.

(HD) Heavy Duty

Minimum Wear Thickness for organic or metallic linings, except the RA066-09100 and RA066-09200, is 0.100 inch (2.54 mm) thick.

For the RA066-09100 and RA066-09200 linings, the minimum wear thickness of the sintered lining material by itself is 0.030 inch (0.76mm) thick.

For reference only.



30 plus years and over 50,000 Brake Overhaul Kits produced: Experience... The Rapco/RFS advantage

Pilatus Aircraft, Ltd: Pilatus PC-12, PC-12/45, PC-12/47 and PC-12/47E
equipped with 30-244 Brake Assemblies

RA199-575A Brake Kit Contents:

- | | |
|-----------------|---------------------|
| 1 - RA095-01100 | WASHER |
| 6 - RA107-03700 | WIPER |
| 6 - RA101-02500 | PISTON O-RING |
| 2 - RA101-00700 | BLEEDER PORT O-RING |
| 3 - RA159-07400 | ROTATING DISC |
| 72- RA109-03000 | WEAR PAD |
| 55- RA105-08701 | RIVET |
| 55- RA105-02401 | RIVET |

*Pilatus Aircraft, Ltd.: Pilatus PC-12,
Pilatus PC-12/45,
Pilatus PC-12/47 and
Pilatus PC-12/47E*



RAPCO,inc. 
REPLACEMENT AIRCRAFT PARTS CO.
www.rapcoinc.com

Fuel Pumps
Vacuum Pumps
Filters & Gaskets
Brake Components
De-Ice Components
...All FAA-PMA approved



Rivets & Mounting Pins

RAPCO PN		Cleveland PN		Head Diameter	Shank Diameter	Overall Length
Current	Superseded	Current	Superseded			
Rivets						
RA105-00200	RA105-002	105-00200	105-2, 561	5/16	5/32	9/32
RA105-06700		105-06700		5/16	3/16	9/32
Mounting Pin PN						
RA177-00300	RABP001	177-00300	177-3	5/16	5/32	7/32
RA177-00400		177-00400	177-4	5/16	3/16	7/32
RA177-01600		177-01600	177-16	3/8	3/16	7/32

Shims Insulators

RAPCO P/N	Cleveland PN
RA068-01100	068-01100
RA068-01600	068-01600
RA068-01700	068-01700
RA068-02700	068-02700
RA068-02800	068-02800
RA068-02900	068-02900
RA068-03100	068-03100
RA068-04100	068-04100
RA068-04600	068-04600

For reference only.

Grease Seal - Molded

RAPCO PN	Cleveland PN
RA154-03000	154-03000

Drive Keys

RAPCO PN	Cleveland PN
RA205-02900	205-02900
RA205-05201	205-05201

Pressure Plates and Assemblies

RAPCO PN	Cleveland PN
RA063-01100	063-01100
RA063-01200	063-01200
RA063-01300	063-01300
RA063-02500	063-02500
RA063-30025	063-30025
RA073-02600	073-02600
RA073-08500	073-08500
RA073-08502	073-08502

Wear Pads

Description	RAPCO PN	Cleveland PN
Wear Pad	RA109-00200	109-00200
Wear Pad	RA109-00201	109-00201
Wear Pad	RA109-01500	109-01500

Brake Overhaul Kit

Description	RAPCO PN	Cleveland PN	Minimum Wear
PC-12 w/30-244 Brake Assy.			
Brake Overhaul Kit	RA199-575A	199-575A	
Washer - Seal	RA095-01100	095-01100	
O-Ring	RA101-00700	101-00700	
O-Ring (MS58775-220)	RA101-02500	101-02500	
Rivet	RA105-02401	105-02401	
Rivet	RA105-08701	105-08701	
Wiper	RA107-03700	107-03700	
Wear Pad	RA109-03000	109-03000	Refer to: CM30-244
Rotor Disc	RA159-07400	159-07400	Refer to: CM30-244

For reference only.

REPLACEMENT Brake Lining Kits



APPLICATION GUIDE

- * **FAA-PMA Approved parts**
- * **Replacements for Cleveland and McCauley Brake Assemblies**
- * **Complete with all needed parts for one brake change**

RAPCO,inc.

REPLACEMENT AIRCRAFT PARTS CO.

445 Cardinal Lane

Hartland, Wisconsin 53029 USA

For a list of Distributors, please click on the document on the home screen or visit www.rapcoinc.com





REPLACEMENT AIRCRAFT PARTS CO.

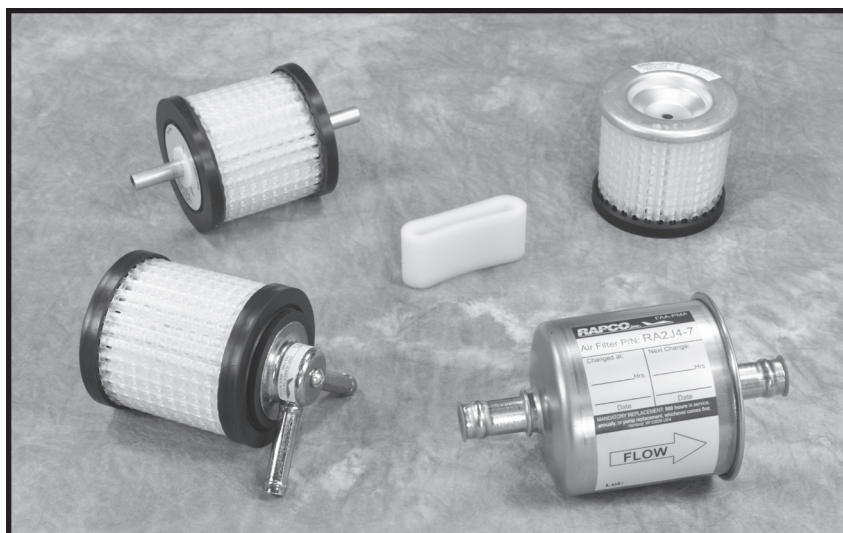
AIRCRAFT MFG / MODEL	BRAKE ASSY.	RAPCO KIT#
AERO COMMANDER		
100	30-56F	RA066-10500-4K
112	30-79	RA066-10500-4K
BEECHCRAFT		
Musketeer 23, 24 Series	30-75B	RA066-10500-4K
	30-79A	RA066-10500-4K
Debonair 33	30-1	RA066-11100-4K
	30-24	RA066-10600-8K
Bonanza 33	30-54	RA066-10500-8K
35 & 36	30-54A	RA066-10500-8K
A36, B36TC	30-54C	RA066-10500-8K
BELLANCA		
Citabria & Scout	30-19A	RA066-10600-4K
Champ	30-9	RA066-10600-4K
Scout	30-32B	RA066-10600-8K
Viking	30-52M	RA066-10500-8K
Aries	30-52	RA066-10500-8K
CESSNA		
120,140,170 (Conversion)	30-63A	RA066-10500-4K
150	30-63	RA066-10500-4K
150 (5.00 x 5 Wheels)	30-9	RA066-10600-4K
	30-40	RA066-10600-4K
152	C30018-5	RA066-30026-4K
172 (Before 1977)	30-56	RA066-10500-4K
	30-75A	RA066-10500-4K
172, R172 (1977 and after)	C30018	RA066-30026-4K
	C30018-2	RA066-30026-4K
	C30018-4	RA066-30026-4K
	C30018-6	RA066-30026-4K
172RG	C30018	RA066-30026-4K
	C30018-4	RA066-30026-4K
175	30-63	RA066-10500-4K
177	30-63	RA066-10500-4K
	30-75	RA066-10500-4K
177, 177RG (1976 and after)	C30018-4	RA066-30026-4K
	C30018-5	RA066-30026-4K
182 (Before 1976)	30-56	RA066-10500-4K
	30-75	RA066-10500-4K
182 (1976 and after)	C30018-4	RA066-30026-4K
	C30018-5	RA066-30026-4K
R182, TR182	C30018-3	RA066-30026-4K
	C30018-4	RA066-30026-4K
180	30-21	RA066-10600-8K
180, 185	30-52	RA066-10500-8K
188 (8.50 x 10 Wheels)	30-67A, C	RA066-10800-8K
188, 205	30-52	RA066-10500-8K
205, 205A	30-35	RA066-10600-8K
206, 207, 210	30-52	RA066-10500-8K
180, 185 (1975 and after)	D30118-5	RA066-30026-4K
	D30118-6	RA066-30026-4K
210	30-45	RA066-11100-4K
206, 210 (1976 and after)	D30118-3	RA066-30026-4K
	D30118-4	RA066-30026-4K
EDO AIRE FLOATS		
	30-51	RA066-10600-8K
GRUMMAN AMERICAN		
AA-1, AA-5	30-55B	RA066-10500-4K
	30-56B	RA066-10500-4K
G-164A AG CAT	30-67	RA066-10800-8K

AIRCRAFT MFG / MODEL	BRAKE ASSY.	RAPCO KIT#
MAULE		
M4, M5	30-63E	RA066-10500-4K
MOONEY		
M20	30-5	RA066-11100-4K
	30-56A	RA066-10500-4K
M10	30-63	RA066-10500-4K
M22 Mustang	30-56A	RA066-10500-4K
201, 231	30-56A	RA066-10500-4K
252	30-56D	RA066-10500-4K
PARTENAVIA		
P22C, P64B	30-18	RA066-10600-4K
P68C-160, P66T	30-55	RA066-10500-4K
P68S	30-61E	RA066-10500-8K
PIPER		
PA-11, -12, -16, -18	30-60	RA066-10600-4K
RA-20, -22	30-18	RA066-10600-4K
	30-41	RA066-10600-8K
	30-60	RA066-10600-4K
PA-23-150, -160	30-13	RA066-10600-8K
PA-24-180, -260	30-12	RA066-10600-8K
	30-41	RA066-10600-8K
PA-25-235 Pawnee	30-12	RA066-10600-8K
	30-41	RA066-10600-8K
PA-28-140, -150, -151, -161, -180	30-18	RA066-10600-4K
	30-34	RA066-11100-4K
	30-55	RA066-10500-4K
PA-28-235	30-55	RA066-10500-4K
PA-28-236	30-65	RA066-10500-8K
PA-28R-180, -200	30-41	RA066-10600-8K
	30-55	RA066-10500-4K
PA-28R-200, -201, -201T	30-55	RA066-10500-4K
PA-32-260, -300	30-65	RA066-10500-8K
PITTS		
S1, S2	30-9	RA066-10600-4K
SOCATA		
Ralleye	30-63J	RA066-10500-4K
TS9, 10, 20, 21	30-41B	RA066-10600-8K
TAYLORCRAFT		
F21, 21A	30-55	RA066-10500-4K
VARGA		
2150A, 2180	30-63E	RA066-10500-4K
WACO		
Meteor	30-63A	RA066-10500-4K
MISC. HOME BUILT		
NOTE: Please refer to	30-9	RA066-10600-4K
Brake Assy. Number	30-63	RA066-10500-4K
For Reference Only		110520

Pneumatic Filters

FAA-PMA APPROVED REPLACEMENTS FOR AIRBORNE ASSEMBLIES

- * **High Quality**
- * **Non-restrictive Air Flow**
- * **Avoid expensive instrument replacement**
- * **Superior filtration with 0.3 micron media**
- * **Inline & Central filters**
- * **Meets Industry standards**



RAPCO,inc.

REPLACEMENT AIRCRAFT PARTS CO.

445 Cardinal Lane

Hartland, Wisconsin 53029 USA

For a list of Distributors, please click on the document on the home screen or visit www.rapcoinc.com



RECOMMENDED REPLACEMENT TIMES

■ **Vacuum Instrument Central Gyro Filters:**

Replace at least every 500 flight hours, annually, or at each pump change whichever comes first.

■ **Vacuum Relief and Pump Inlet Foam Garter Filters:**

Replace at least every 100 flight hours, annually, or at each pump change whichever comes first.


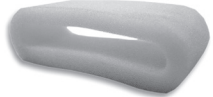

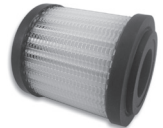

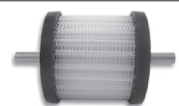

■ **Pressure / Vacuum System Inlet Filters:**

Replace at least every 100 flight hours, annually, or at each pump change whichever comes first.

■ **Inline Filters for Pressure Systems:**

Replace at least every 500 flight hours, annually, or at pump change whichever comes first.

IDENTIFICATION PART NO. DESCRIPTION

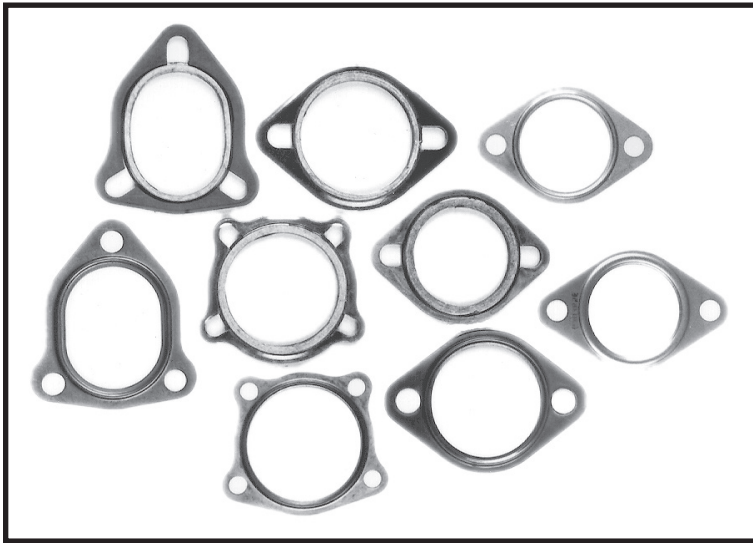
	RA1J7-1	Vacuum Instrument Central Gyro Air Filter assy: 0.3 Micron pleated paper element with two $\frac{3}{8}$ " beaded installation tubes. Overall - $3\frac{3}{4}$ " long x $2\frac{7}{8}$ " dia. RAD9-18-1 Element: $3\frac{1}{4}$ " long x $2\frac{7}{8}$ " dia.
	RA-B3-5-1	Garter Filter Element used on Airborne 133 & 2H3 series regulators and 1J1 series filter assemblies. Polyurethane foam 1" x $1\frac{3}{4}$ " diam.
	RA-D9-14-3	Replacement element used in Airborne 1J2-2 Inlet Filter. $2\frac{3}{16}$ " long x $2\frac{15}{16}$ " dia.
	RA-D-9-14-5	Replacement element used in Airborne 1J2 Series Inlet Filter (Except 1J2-2). $2\frac{5}{8}$ " long x $2\frac{15}{16}$ " dia.
	RA-D9-18-1	Replacement element used in RAPCO 1J7-1 Vacuum Instrument Central Gyro Air Filter Assembly. $3\frac{1}{4}$ " long x $2\frac{7}{8}$ " dia.
	RA2J4-4	Line Mounted Filter - Two $\frac{1}{2}$ " beaded tubes. Overall length $5\frac{3}{4}$ " long x $3\frac{1}{8}$ " dia.
	RA2J4-6	Line Mounted Filter - Two $\frac{5}{8}$ " beaded tubes. Overall length $6\frac{3}{4}$ " long x $3\frac{1}{8}$ " dia.
	RA2J4-7	Line Mounted Filter - Two $\frac{5}{8}$ " beaded tubes. Overall length $5\frac{1}{2}$ " long x $3\frac{1}{8}$ " dia.
	RA1J10-1	Line Mounted Filter - Two $\frac{3}{8}$ " non-beaded tubes. Overall length $5\frac{1}{4}$ " long x 3" dia.
	RA101-524009-0163	Rudder Boost Filter - Two $\frac{5}{8}$ " beaded tubes. Overall length $5\frac{1}{2}$ " long x $3\frac{1}{4}$ " dia.

INTERCHANGEABILITY CHART

RAPCO P/N	Airborne P/N	Cessna P/N	Beech P/N	Piper P/N
RA1J4-4	1J4-4	200441 / 201442/ J-158444	92-301-126 92-301-127	460-857 / 460-888 460-866 / 560-689
RA1J4-6	1J4-6			
RA1J4-7	1J4-7			460-888
RA1J7-1	1J7-1			
RA1J10-1	1J10-1	C294502-0101		
RA-B3-5-1	B3-5-1	C482001-0202		751-815
RA-D9-14-3	D9-14-3		8398136-05-0H	
RA-D-9-14-5	D9-14-5	C294501-0103		
RA-D9-18-1	D9-18-1	C294502-0201/ J518317		757-899
RA101-524009-0163			101-524009-0163 101-524009-0161 101-524009-091	

EXHAUST GASKETS

**FAA-PMA APPROVED REPLACEMENTS FOR
CONTINENTAL & LYCOMING ENGINES**



- * **High quality**
- * **Economical Stainless and Copper beaded Gaskets**
- * **Extra Thick spiral wound style available - “ Blow Proof”**

RAPCO,inc.

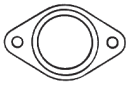

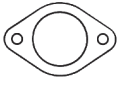

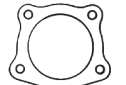

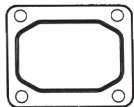





REPLACEMENT AIRCRAFT PARTS CO.

445 Cardinal Lane

Hartland, Wisconsin 53029 USA

For a list of Distributors, please click on the document on the home screen or visit www.rapcoinc.com



Style	RAPCO P/N	Use as Replacement For:			Use on These Engine Models
		OEM P/N	Airborne P/N	Superior P/N	
Solid 	RA630365	630365	N/A	SA630365	IO-360-A, C, D, G, H, J, K
Spiral Wound 	RA970	N/A	N/A	N/A	IO-360-A, C, D TSIO-360-A, B
Solid 	RA632837	632837 21493	157	SA632837	A-65 A-75 C-85-12F C-90-8F, -12F, -14F, -16F E-165, E-185, E-225 O-200-A, B O-300-A, C, D O-470-A, E, J
Spiral Wound 	RA627429	627429 652459	999	SA627429	
Solid 	RA631544	631544 537379	158	SA631544	O-470-B, G, K, L, M, P, R, S, U
Spiral Wound 	RA628260	628260 652458	972	SA628260	O-470-B, G, K, L, M, P, R, S, U IO-470-D, U, V TSIO-470-B TSIO-520-B, C, D GTSIO-520-C, D
Turbo Charger Gasket 	RA636465	636465	N/A	SA636465	TSIO-520: -A to -E, -G, -H, -J to N, -P, -R, -T, -U, -AE, -AF, -BB, -BE, -CE, -DB, -EB, -JB, -KB, -LB, -NB, -UB, -VB, -WB LTSIO-520-AE
Solid 	RA75118	75118 73720 67196 65321	160	N/A	O-290, O-320, IO-320, O-340, O-360, HO-360-B, IO-360-A, -B, -C, HIO-360-A, -B, -C, VO-435, TVO-435, GO-480, GSO-480, ISGO-480, O-540-A, -B, -E, -G, IO-540-A, -C, -D, -G, -J, -K, IGO-540-A, IGSO-540-A, IO-720-A
Spiral Wound 	RA77611	77611	1000	SL77611	
Solid 	RALW15619	LW15619 74756	161	SL15619	TIO-541
Spiral Wound 	RALW15486	LW15486	971	SL15486	
Solid 	RA985	3503	N/A	N/A	R-985-AN-1, -3, -4, -6, -6B, -10, -12, -12B, -14B

CONTINENTAL

LYCOMING

PRATT

INSTALLATION TIPS:

- Be sure that exhaust stack & cylinder flanges are flat
- Install solid gaskets with raised bead facing the exhaust stack flange -- These may be used in pairs with raised beads interlocked, if desired.
- Torque exhaust nuts to specifications from OEM manual -- Re-Torque after a hot run.



FAA-PMA - Exhaust and Turbo Charger Gaskets Standard Part - Dry Air Pump Gasket and Prop Governor Gasket

This Application Guide is to be used for reference only.

When selecting a part for installation consult the appropriate aircraft maintenance manual, parts catalogue, or equipment list for optional installation.

To convert an original equipment part number to a RAPCO part number, add RA to the beginning of the number.

Refer to the FAA-PMA Supplement for installation eligibility.

Type Gasket	Application	RAPCO PN.	OEM	Airborne	Superior	Standard Part
Exhaust Gasket Solid Stainless Steel, 2 Hole	Continental IO-360-A, -C, -D, -G, -H, -J, -K	RA630365	630365		630365	
Exhaust Gasket Spiral Wound, 2 Hole	Continental IO-360-A, -C, -D, TSIO-360-A, -B	RA970				
Exhaust Gasket Solid Stainless Steel, 2 Hole	Continental A-65, A-75 C-85-12F, C-90-8F, -12F, -14F, -16F E-165, E-185, E-225 O-200-A, -B O-300-A, -C, -D O-470-A, -E, -J	RA632837	632837 21493 649428	157	SA632837	
Exhaust Gasket Spiral Wound, 2 Hole	Continental A-65, A-75 C-85-12F, C-90-8F, -12F, -14F, -16F E-165, E-185, E-225 O-200-A, -B O-300-A, -C, -D O-470-A, -E, -J	RA627429	627429 652459	999	SA627429	
Exhaust Gasket Solid Stainless Steel, 4 Hole	Continental O-470-B, -G, -K, -L, -M, -P, -R, -S, -U	RA631544	652458 631544 537379		SA631544	
Exhaust Gasket Spiral Wound, 4 Hole	Continental O-470-B, -G, -K, -L, -M, -P, -R, -S, -U IO-470-D, -U, -V TSIO-470-B TSIO-520-B, -C, -D GTSIO-520-C, -D	RA628260	628260 652458 629427 628216 537379	158	SA628260	
Turbo Charger Gasket Solid Stainless Steel, 4 Hole	Continental TSIO-520-A thru -E, -G, -H, -J to -N, P, -R, -T, -U, -AE, -AF, -BB, -BE, -CE, -DB, -EB, -JB, -KB, -LB, -NB, -UB, -VB, -WB LTSIO-520-AE	RA636465	636465		SA636465	
Exhaust Gasket Solid Copper, 2 Hole	Lycoming O-290, O-320, IO-320, O-340 O-360, HO-360-B, IO-360-A, -B, -C HIO360-A, -B, -C, VO-435, TVO-435, GO-480, GSO-480, ISGO-480, O-540-A, -B, -E, -G, IO-540-A, -C, -D, -G, -J, -K IGO-540-A, IGSO-540-A, IO-720-A	RA75118	LW-19296 75118 73720 67196 65321 61259	160		
Exhaust Gasket Spiral Wound, 2 Hole	Lycoming O-290, O-320, IO-320, O-340, O-360, HO-360-B, IO-360-A, -B, -C HIO360-A, -B, -C, VO-435, TVO-435, GO-480, GSO-480, ISGO-480 O-540-A, -B, -E, -G, IO-540-A, -C, -D, -G, -J, -K IGO-540-A, IGSO-540-A, IO-720-A	RA77611	77611		SL77611	
Exhaust Gasket Solid Stainless Steel, 3 Hole	Lycoming TIO-541	RALW15619	LW15619 74756	161	SL15619	
Exhaust Gasket Spiral Wound, 3 Hole	Lycoming TIO-541	RALW15486	LW15486	971	SL15486	
Exhaust Gasket Solid Stainless Steel, 3 Hole	Pratt & Whitney R-985-AN-1, -3, -4, -6, -6B, -10, -12, -12B, -14B	RA985	3503			
Dry Air Pump Mounting Flange Gasket	Continental and Lycoming engines with accessory mounting pad PN. AND20000	AS3491-01	653487 653152 8313			MS9134-01 AN4045-1 AS3491-01
Prop Governor Gasket	Prop governor gasket for Continental and Lycoming piston engines.	MS9144-01	B-1104 B-20024 209217 57354 531083			AMS7283 MS1000009 MS9144 MS9144-01

Installation Notes: Make sure cylinder and exhaust stack flanges are flat. Check aircraft maintenance manual for proper installation.

In most cases solid gaskets should be installed in pairs with raised beads interlocked and facing away from the cylinder.

Also check maintenance manual for exhaust nut torque spec. Re-torque after a hot run.

For reference only. For installation eligibility refer to the FAA-PMA Supplement.

FUEL PUMPS

Electric

- New - FAA-PMA Approved with Warranty
- Overhauled – FAA and EASA Approved with Warranty and FAA Form 8130-3

RAPCO offers both new and overhauled electric fuel pumps and cartridges for replacement of Airborne and Dukes models.

New RAPCO fuel pumps are FAA-PMA approved as direct replacement assemblies. They incorporate modern design, materials, and manufacturing processes to provide a high quality fuel pump at a great price. They come with a full warranty.



Overhauled fuel pumps are produced in accordance with FAA process specifications by our Fleet Support Services division. FAA approved repair station, # NE5D64N with EASA certificate # 145.5230. Many of the upgraded components that go into our new pumps are also included in the production of overhauled assemblies, offering reliability and value backed by warranty.

RAPCO,inc.

REPLACEMENT AIRCRAFT PARTS CO.

445 Cardinal Lane

Hartland, Wisconsin 53029 USA

For a list of Distributors, please click on the document on the home screen or visit www.rapcoinc.com

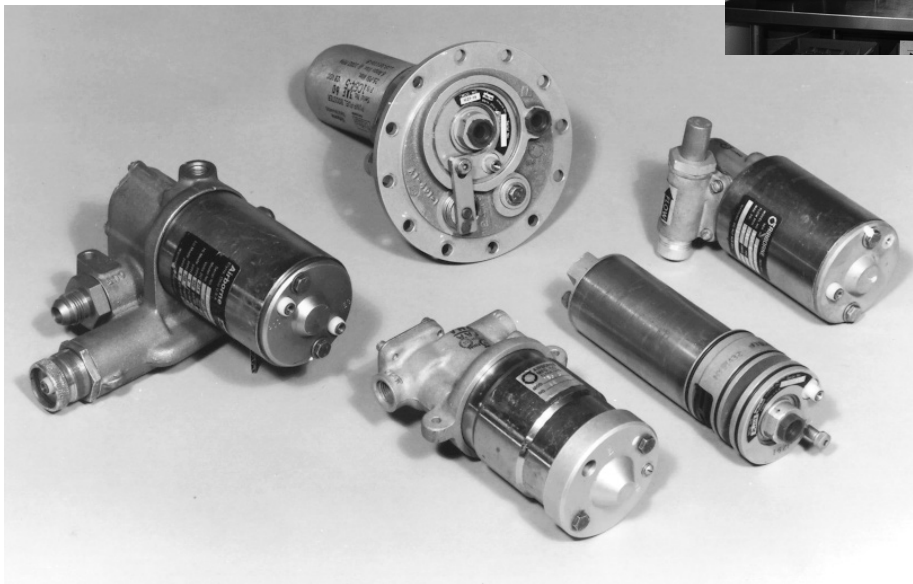


Replacement

Fuel Pumps

- * FAA-approved process specification to overhaul fuel pumps
- * Warranty same as OEM
- * Worldwide Distribution
- * Guaranteed pump performance
- * Thoroughly tested

Fuel Pump Test Cell



Overhauled - FAA Approved Fuel Pumps with Warranty and FAA Form 8130-3

New - FAA-PMA Approved Fuel Pumps with Warranty

Section 1: Airborne Fuel Pumps Overhauled by Fleet Support Services and RAPCO New Replacement pumps

Section 2: Dukes Fuel Pumps Overhauled by Fleet Support Services

This Application Guide is to be used for reference only. When selecting a part for installation consult the appropriate aircraft maintenance manual, parts catalogue, or equipment list for optional installations. To convert an original equipment part number to a RAPCO part number, add RA to the beginning of the number. Refer to the FAA-PMA Supplement for installation eligibility.

RAPCO,inc.

REPLACEMENT AIRCRAFT PARTS CO.

445 Cardinal Lane

Hartland, Wisconsin 53029 USA

For a list of Distributors, please click on the document on the home screen or visit www.rapcoinc.com



FUEL PUMP APPLICATION GUIDE

Section 1: Airborne - Overhauled Fuel Pump & Rapco New

RAPCO INC. FUEL PUMP APPLICATION GUIDE

For Electric Fuel Pumps

Overhauled Exchange Fuel Pumps

New Exchange Fuel Pumps

FAA / EASA Approved with FAA / EASA Dual Release on FAA Form 8130-3

This Application Guide is to be used for reference only.

When selecting a part for installation consult the appropriate aircraft maintenance manual, parts catalogue, or equipment list.

To convert an original equipment part number to a RAPCO part number, add RA to the beginning of the number.

Refer to the FAA-PMA Supplement for installation eligibility of new products.

Section 1: Airborne Fuel Pumps Overhauled Exchange by Fleet Support Services and RAPCO New Replacement pumps

Section 2: Dukes Fuel Pumps Overhauled by Fleet Support Services

Section 1:

Airborne - Overhauled Exchange or Customer Property Overhaul Fuel Pumps

RAPCO - New Exchange or Overhaul Exchange Replacement Fuel Pumps

Aircraft Manufacturer & Model	Overhauled Airborne PN.	New or OH RAPCO	Aircraft Mfg. PN.
Aero Commander / Rockwell / Gulfstream / Twin Commander			
500B, 500S, 500V	1C15-1		630160-509
680T, 680V, 680 W, 681, 690, 690A, 690B	1D3-4		630309-503
690C, 690D, 695, 695A, 695B	3B7-4		630390-503
700	1C6-17 2B7-35 2B6-38 (SS to 2B7-35)		
Aerospatiale - see Eurocopter France			
Aerostar / Ted Smith Aerostar / Piper			
Aerostar 600, 601, 601P	2B6-6		481 813
PA-60-602P	2B6-73		481 833
PA-60-700P	2B6-75		481 836
Agusta			
A109, A109A, A109All , A109C, A109K2, A1090E, A119	2C35-3 (Cartridge only, see below) 1C27-11 (Cartridge for 2C35-3)	RA1C27-11	109-0611-53-1
Beech / Beechcraft / Raytheon / Hawker Beechcraft / Textron			
A36TC, B36TC	2B7-34		36-920001-603
56TC, A56TC, 58P, 58TC Baron, B60 Duke	1D1-6		60-389010-15
65, A65, 65B80, A65-8200,	1D1-8		50-389041-9



Aircraft Manufacturer & Model	Overhauled Airborne PN.	New or OH RAPCO	Aircraft Mfg. PN.
C90 King Air	1C12-1		50-389094-5
E90 King Air	1D2-13	RA1D2-13	50-380177-7
C90, C90A, C90GT, C90GTi, E90, 99, 99A, A99A, B99, C99, 100, A100, A100A, A100C, B100, 200, 200C, 200CT, 200T, B200, B200C, B200CT, B200CGT, B200GT	1D2-12	RA1D2-12	50-380177-5
300, 300LW, B300, B300C	1D2-13	RA1D2-13	50-380177-7
1900, 1900 (C-12), 1900C, 1900D, Airliner	1C64-5 (Also see below) 1C27-18 (Cartridge for 1C64-5)	RA1C27-18	118-389006-5
Model 400 Beechjet	1C7-15 1C7-9		45AS48015-2 45AS48015-3
MU-300	1C7-15 1C7-9		45AS48015-2 45AS48015-3
HS, 125-700A, BAE 125-800A Premier I	2B6-72 (APU Fuel Pump) 1C64-12 (Also see below) 1C27-21 (Cart. for 1C64-12)		118-389006-7
Bell			
205A 205A-1, 205A-1, 212, 412	2C12-1 w/ 2C27-3 Cartridge 1C64-1 w/ 2C27-3 Cartridge 2C27-3 (Cartridge for 1C64-1)	RA2C27-3	205-060-606-3 206-062-687-101
206B Jet Ranger	1C38-1 (Also see below) 1C27-10 (Cartridge for 1C38-1) 1C35-1 (Also see Below) 1C27-10 (Cartridge for 1C35-1) 2C27-1 (Opt. Cartridge for 1C38-1) 1C36-1 (Also see Below) 2C27-1 (Cartridge for 1C36-1)	RA1C27-10 RA1C27-10 RA2C27-1	206-062-681-101 411523478-00 206-063-602-001 411523478-00
206B, 206L, 206L-1 206B, 206L, 206L-1 206L, 206L-1 Long Ranger 206B, 206L, 206L-1, 206L-3, 206L-4			
Gemini ST	1C45-7 (Cartridge only, see below) 1C45-6 (Cartridge for 1C45-7)		
407	1C36-4 (Cartridge only, see below) 1C27-10 Cartridge for 1C36-4	RA1C27-10	
407T	1C45-6		
412, 412EP, 412CF		RA2C27-3	
427	1C39-2 (Cartridge only see Below) 1C27-10 (Cartridge for 1C39-2)	RA1C27-10	427-366-104-101
Bellanca			
17-30A Viking w/ TCM Engine 17-31A Viking, 17-31ATC w/ Lycoming Engine	2B6-9 2B6-47		
Bombardier - see de Havilland			
California Helicopter			
S58T	3B7-4		
CASA - see EADS			

FUEL PUMP APPLICATION GUIDE

Aircraft Manufacturer & Model	Overhauled Airborne PN.	New or OH RAPCO	Aircraft Mfg. PN.
Cessna / Textron			
208, 208A Caravan	2C6-8		
310, 320, 340 (Tip Tank Models)	1C6-10		
401, 402, 414, 421 (Tip Tank Models)	1C6-10		
402C Business Liner, 404 Titan	2B7-29 2B7-51		9910202-1 thru -4 9910202-1
406F Reims Caravan II	1C12-17		9910288-8
411	1C6-10		
414 (Aux wing tank)	1B5-8		
414A Chancellor	2B7-29 2B7-51 (Superceded to 2B7-29)		9910202-1 thru -4 9910202-1
421, 421A, 421B (Tip tank)	1C6-10		
421, 421A, 421B (Aux wing tank)	1B5-8		
421C	2B7-29 2B7-51 (Superceded to 2B7-29)		9910202-1 thru -4 9910202-1
425 Corsair/ Conquest I	2C6-3		
441 Conquest, Conquest II	1C12-17		9910288-8
500 Citation I, 550 Citation II, S550, 552 (T-47)	1C7-12		9912017-3
500 Citation I, 550 Citation II (British), 525 Citation Jet	1C7-13		9912017-4
560 Citation V	1C7-23		9912553-1
650 Citation III, VI, VII	1C56-2 (Cartridge only see below) 1C27-14 (Cart.for 1C56-2)	RA1C27-14	
Daher / Socata / EADS			
TBM 700	1B9-5		Z00.N6097727224
de Havilland / Bombardier / Viking Air Limited			
DHC-6-100, -200, -300 Twin Otter	1D2-17 1D2-14	RA1D2-17	C6SC1005-5
DHC-6-300 Twin Otter	2B7-1		
Dornier - see Fairchild			
EADS / CASA			
C-212	2C37-2 2C27-2 (Cartridge for 2C37-2))		AC520251
CN-235	1C12-34		AC510007B
EADS - see Daher			
Embraer / Empresa Brasileira de Aeronautica SA.			
EMB-110P1	2C37-1 (See below)		
P2 Bandeirante	2C27-2 (Cartridge for 2C37-1)		
EMB-120 Brasilia	1C7-17		



Aircraft Manufacturer & Model	Overhauled Airborne PN.	New or OH RAPCO	Aircraft Mfg. PN.
Eurocopter Deutschland / M.B.B.			
BO-105	1C64-2 (Also see Below) 2C27-3 (Cartridge for 1C64-2)		
BK-117, A1, A3, A4, B1, B2, C1 BO-105, CB, CBS	1C64-7 (Also see below) 1C27-19 (Cartridge for 1C64-7)	RA1C27-19	
BO-105A, C, S, LS A1, LS A-3		RA2C27-3	
MBB-BK 117 A-1, A-3, A-4, B-1, B-2, C-1, C-2		RA1C27-5	
Eurocopter France / Aerospatiale			
AS-350D Astar	1C45-3 (Pump for 1C45-2)		
AS350B, B1, B2, BA, C, D, D1	1C45-5 (Pump for 1C45-4)		
SA360C Dauphin	1C44-1		
Twin Star, AS355E, AS335F AS355F1, AS355F2, AS355N SA365N/N1, AS365N2, AS365N3	1C64-15 (See below) 1C27-20 (Cartridge for 1C64-15)	RA1C27-20	
AS332L & L1, Super Puma	1C64-8 (Cartridge only see below) 1C27-20 (Cartridge for 1C64-8)	RA1C27-20	
Fairchild / Swearingen			
SA226-T, -AT, -TC, -T(B) SA227-AC, -AT, -TT Metro & Merlin	1C49-5 (3 pin connector) 1C49-3 (2 pin connector) 1D2-9 (2 pin connector)		
F27, F27A, B, F, G, J, M FH-227, B Thru -E	1C42-1 (Also see Below) 1C27-5 (Cartg. For 1C42-1)	RA1C27-5	
Fairchild - Dornier			
DO-228D-DO 28-D1	1C12-23		
DO-228-100, -101, -200, -201	1C12-32		
Fokker			
F27 Mark 50, 100-700	1C42-1 (Also see Below) 1C27-5 (Cart. for 1C42-1)	RA1C27-5	
F.27 Mark 100, 200, 300, 400, 500, 600, 700 F-27, -27A, B, F, G, J, M, FH-227B, C, D, E	1C27-19	RA1C27-19	
GAF - (Australia) Nomad			
Nomad N22, N24	2B6-34		
Nomad N22B, N24A	2C6-2		
Gulfstream - see Aero Commander			
Harbin			
Y12-IV	2C37-5 (Cartridge only see below) 2C27-2 (Cart. for 2C37-5)		

FUEL PUMP APPLICATION GUIDE

Aircraft Manufacturer & Model	Overhauled Airborne PN.	New or OH RAPCO	Aircraft Mfg. PN.
Hawker Beechcraft - see Beechcraft			
Hiller			
UH-12D	2B6-52		
UH-1D, 12E	2B6-69 (Turbine)		
Hughes - see McDonnell Douglas			
Jetstream			
Jetstream 3100	2C6-5		
Jetstream 3200 and 41	2C37-3, -4, -6 (Cart. Only see below) 2C27-4 (Cartridge for 2C37-3, -4, -6)		
Kamen			
KMAX 1200	1C64-9 (Cart. only see below) 2C27-3 (Cartridge for 1C64-9)		
Seasprite SH-2F, SH-26	1C64-1 1C64-6 (Cart. only see below) 2C27-3 (Cartridge for 1C64-6)		
Machen			
Aerostar, Bonanza Conversions	2B6-84		
McDonnell Douglas / Hughes			
369A, D, HE, HM, HS (500)	1C3-4		369A8143
500N, 600N		RA1C27-10	
Mitsubishi			
MU-2B-26A, -40, -60 (Except SN. 356 & 700)	1C12-3		035A948426-1
MU-300	1C7-9		45AS48015-3
(Beech Model 400)	1C7-15		45AS48015-2
M.M.B - see Eurocopter Deutschland			
Piaggio			
P-180	1C12-43		
Piper			
PA-31-350 Chieftain T1020	2B6-63 2B6-50 2B6-64 2B6-51		481 802 481 801
PA-31P Navajo	1C6-9		481 755
PA-31P-350 Mojave (4 mounting holes)	2C6-7		481 840
PA-31T, PA31T2, PA31T3, PA-42 Cheyenne	1C54-1		481 844



Aircraft Manufacturer & Model	Overhauled Airborne PN.	New or OH RAPCO	Aircraft Mfg. PN.
PA-32-300, PA32-301, PA-32R-301, PA32RT-301	1B5-6		481 708
PA-34-200 Seneca	1B5-6		481 708
PA-34-200 & PA34-200T SN. 34-7570309 & up	2B6-44		481 776
PA-34-220T SN.34-4480001 & up	2B6-86		461 724
PA-34-220T	2B6-88		461 749
PA-36-285 Pawnee Brave	2B6-16		481 748
PA-36-300 Pawnee Brave	2B6-36		481 768
PA-46-310P Malibu (6 mounting holes)	1C15-7		481 854
(Inline)	1B9-4		481875
PA-46-350P (Inline)	1B9-4		481875
(Submerged, with 6 mounting holes)	2C6-7		84100-003
PA-600, -700 Series - see Aerostar			
Raytheon - see Beechcraft			
Rockwell - see Aero Commander			
Schaefer			
PA-31P-135 Commanchero, PA-31P-350 Commanchero 500	2B7-40		
Socata see Daher			
Soloy Hiller			
UH-12D, 12E	2B6-69		
Ted Smith Aerostar - see Aerostar			
Textron - see Beech or Cessna			
Twin Commander - see Aero Commander			
Viking Air Limited - see de Havilland			
For reference only. Refer to the FAA-PMA Supplement for installation eligibility.			30221

FUEL PUMP APPLICATION GUIDE

Section 2: Dukes Overhauls

Section 2: Dukes - Overhauled Exchange Fuel Pump Application Guide

Aircraft Manufacturer & Model	Dukes Overhaul PN.	Aircraft Mfg. PN.
Cessna		
R172K SN. R172000 thru R1722724	4140-00-17	C291504-0101
R172K SN. R1722725 & up	4140-00-15	C291504-0201
FR172E, G, H, J, K, up to SN. FR17200620	4140-00-17	C291504-0101
FR172K, up to SN. FR17200621 & up	4140-00-15	C291504-0201
R182/TR182 SN. R18200584 thru R18201628	4140-00-15	C291504-0201
177RG SN. 177RG0001 thru 177RG1266	4140-00-17	C291504-0101
177RG SN. 177RG1267 thru 177RG1366	4140-00-15	C291504-0201
F177RG SN. F177RG0063 thru F177RG0177	4140-00-17	C291504-0101
R182/TR182 SN. R18200584 thru R18201628	4140-00-15	C291504-0201
185, 185A, C, D, E SN.18502091 thru 18503458	4140-00-17	C291504-0101
A185E, A185F SN.18502091 thru 18503458	4140-00-17	C291504-0101
A185F SN.18503459 & up	4140-00-15	C291504-0201
188, A188, 188A, A188A, 188B, A188B	4140-00-17	C291504-0101
206	4140-00-17	C291504-0101
P206, P206A, P206B, P206C, P206D, P206E	4140-00-17	C291504-0101
TP206A, B, C, D, E	4140-00-17	C291504-0101
U206A, B, C, D, E, F, G	4140-00-17	C291504-0101
207, T207, 207A/T207A up to SN.20700414	4140-00-17	C291504-0101
207/T207 SN.20700228 & up, 207A/T207A	4140-00-15	C291504-0201
210-5, 210-5A, 210, 210A, B, C, D, E, F, G, H	4140-00-17	C291504-0101
210H, J, K, L, M, N, R	4140-00-15	C291504-0201
T210F, T210G, T210H	4140-00-17	C291504-0101
T210H, J, K, L, M, N, R	4140-00-15	C291504-0201
P210N, P210R	4140-00-15	C291504-0201
303	1515-00-1	C291504-0301
303 with SK303-43	1515-00-3	C291504-0302
310 Series (Wing Locker Tank)	4140-00-153	
320 Series (Wing Locker Tank)	4140-00-153	
335 (Wing Locker Tank)	4140-00-153	
336	4140-00-15	C291504-0201
337 Series	4140-00-15	C291504-0201
340 (Wing Locker Tank)	4140-00-153	
401 (Wing Locker Tank)	4140-00-153	
402, 402A, 402B (Wing Locker Tank)	4140-00-153	
414 (Wing Locker Tank)	4140-00-153	
421, 421A, 421B 421C (Wing Locker Tank)	4140-00-153	
Gipsland Aeronautics		
GA6	4140-00-17	
Mooney - Be Sure to check Mooney AD status for proper Fuel Pump part number changes. Like part number cores must be returned for core credit.		
M20D	4140-00-21A	
M20E, M20F, M20J (with filter) Click here to view AD 80-13-03	4140-00-19A	610-153-501
M20E, M20F, M20J (no filter)	1499-00-19	
M20K	4140-00-19A	610-153-501
Navion		
H-Model	4140-00-17N	
Piper		
PA24-250 Comanche (Fuel Injected)	4140-00-218	
PA24-260 Comanche (Fuel Injected)	4140-00-218	

FUEL PUMP CROSS REFERENCE

RAPCO INC. FUEL PUMP CROSS REFERENCE GUIDE - Electric

New - RAPCO FAA-PMA Approved Fuel Pumps. Overhauled - RAPCO FAA Approved Fuel Pumps come with FAA Form 8130-3

RAPCO INC. FUEL PUMP CROSS REFERENCE GUIDE

Electric Fuel Pumps

Airborne - Overhauled Exchange or Customer Property Overhaul

RAPCO - New Exchange & Overhauled Exchange

Dukes - Overhauled Exchange

FAA/EASA Approved Data with FAA/EASA Dual Release on FAA Form 8130-3

RAPCO - New Replacements for Airborne Fuel Pumps

RAPCO PN.	Airborne	Description
RA1C27-5	1C27-5	Fuel Pump Cartridge - New
RA1C27-10	1C27-10	Fuel Pump Cartridge - New
RA1C27-11	1C27-11	Fuel Pump Cartridge - New
RA1C27-14	1C27-14	Fuel Pump Cartridge - New
RA1C27-18	1C27-18	Fuel Pump Cartridge - New
RA1C27-19	1C27-19	Fuel Pump Cartridge - New
RA1C27-20	1C27-20	Fuel Pump Cartridge - New
RA1D2-12	1D2-12	Fuel Pump - New
RA1D2-13	1D2-13	Fuel Pump - New
RA1D2-17	1D2-17	Fuel Pump - New
RA2C27-1	2C27-1	Fuel Pump Cartridge - New
RA2C27-3	2C27-3	Fuel Pump Cartridge - New

RAPCO - Overhauled Exchange Replacements for Airborne Fuel Pumps

RAPCO PN.	Airborne	Description
RA1C27-5-OH	1C27-5	Fuel Pump Cartridge - Overhauled Exchange
RA1C27-10-OH	1C27-10	Fuel Pump Cartridge - Overhauled Exchange
RA1C27-11-OH	1C27-11	Fuel Pump Cartridge - Overhauled Exchange
RA1C27-14-OH	1C27-14	Fuel Pump Cartridge - Overhauled Exchange
RA1C27-18-OH	1C27-18	Fuel Pump Cartridge - Overhauled Exchange
RA1C27-19-OH	1C27-19	Fuel Pump Cartridge - Overhauled Exchange
RA1C27-20-OH	1C27-20	Fuel Pump Cartridge - Overhauled Exchange
RA1D2-12-OH	1D2-12	Fuel Pump - Overhauled Exchange
RA1D2-13-OH	1D2-13	Fuel Pump - Overhauled Exchange
RA1D2-17-OH	1D2-17	Fuel Pump - Overhauled Exchange
RA2C27-1-OH	2C27-1	Fuel Pump Cartridge - Overhauled Exchange
RA2C27-3-OH	2C27-3	Fuel Pump Cartridge - Overhauled Exchange

Airborne - Overhauled Exchange and Customer Property Overhaul, and RAPCO (RA) New & Overhauled

Airborne PN.	Beechcraft	Cessna	Piper	OEM	RAPCO	Description
1B5-6			481 708		1B5-6	Fuel Pump - Overhauled Exchange
1B5-8					1B5-8	Fuel Pump - Overhauled Exchange
1B9-4			481 875		1B9-4	Fuel Pump - Overhauled Exchange
1B9-5					1B9-5	Fuel Pump - Overhauled Exchange
1C3-4				369A8143	1C3-4	Fuel Pump - Overhauled Exchange
1C6-1					1C6-1	Fuel Pump - CPO (Replaced by 1C6-10)
1C6-2					1C6-2	Fuel Pump - CPO (Replaced by 1C6-9)
1C6-9			481 755		1C6-9	Fuel Pump - Overhauled Exchange
1C6-10					1C6-10	Fuel Pump - Overhauled Exchange
1C6-17					1C6-17	Fuel Pump - Customer Property Overhaul
1C7-3		9912017-1			1C7-3	Fuel Pump - Overhauled Exchange
1C7-5					1C7-5	Fuel Pump - Overhauled Exchange
1C7-9				45AS48015-3	1C7-9	Fuel Pump - Overhauled Exchange
1C7-12		9912017-3			1C7-12	Fuel Pump - Overhauled Exchange
1C7-13		9912017-4			1C7-13	Fuel Pump - Overhauled Exchange
1C7-15				45AS48015-2	1C7-15	Fuel Pump - Overhauled Exchange (PA-46-310P only)
1C7-17					1C7-17	Fuel Pump - Overhauled Exchange
1C7-23					1C7-23	Fuel Pump - Customer Property Overhaul
1C12-1	50-389094-5				1C12-1	Fuel Pump - Overhauled Exchange
1C12-3					1C12-3	Fuel Pump - Customer Property Overhaul
1C12-17		9910288-8			1C12-17	Fuel Pump - Customer Property Overhaul
1C12-23					1C12-23	Fuel Pump - Customer Property Overhaul
1C12-32					1C12-32	Fuel Pump - Customer Property Overhaul
1C12-34				AC510007B	1C12-34	Fuel Pump - Customer Property Overhaul
1C12-43					1C12-43	Fuel Pump - Customer Property Overhaul
1C15-1				630160-509	1C15-1	Fuel Pump - Overhauled Exchange
1C15-7			481 854		1C15-7	Fuel Pump - Overhauled Exchange
1C27-5					1C27-5	Fuel Pump Cartridge Overhaul Exchange
					RA1C27-5	Fuel Pump Cartridge FAA-PMA New Exc. or OH. Exc.
1C27-10				9518809	1C27-10	Fuel Pump Cart. - OH Exc. (Replaces 1C27-4)
					RA1C27-10	Fuel Pump Cartridge FAA-PMA New Exc. or OH. Exc.
1C27-11					1C27-11	Fuel Pump Cartridge Overhaul Exchange
					RA1C27-11	Fuel Pump Cartridge FAA-PMA New Exc. or OH. Exc.
1C27-14					1C27-14	Fuel Pump Cart. - CPO. (Replaces 1C27-9, 1C27-12)
					RA1C27-14	Fuel Pump Cartridge FAA-PMA New Exc. or OH. Exc.
1C27-18				9518810	1C27-18	Fuel Pump Cartridge - Overhaul Exchange
					RA1C27-18	Fuel Pump Cartridge FAA-PMA New Exc. or OH. Exc.
1C27-19					1C27-19	Fuel Pump Cartridge - Customer Property Overhaul
					RA1C27-19	Fuel Pump Cartridge FAA-PMA New Exc. or OH. Exc.
1C27-20					1C27-20	Fuel Pump Cartridge - Customer Property Overhaul
					RA1C27-20	Fuel Pump Cartridge FAA-PMA New Exc. or OH. Exc.
1C27-21					1C27-21	Fuel Pump Cartridge - Customer Property Overhaul
1C33-1					1C33-1	Fuel Pump - Customer Property Overhaul
1C35-1				206-062-673-001	1C35-1	Fuel Pump Assy. - OH Exc.w/1C27-10 Cart (SS by 1C38-1)
1C36-1				206-063-602-001	1C36-1	Fuel Pump Assy. - OH Exc. w/ 2C27-1 Cart.
1C38-1				206-062-681-101	1C38-1	Fuel Pump Assy. - OH Exc. 1C38-1/w 1C27-10 Cartridge

FUEL PUMP CROSS REFERENCE

Airborne PN.	Beechcraft	Cessna	Piper	OEM	RAPCO	Description
1C38-5				206-062-681-105	1C38-5	Fuel Pump Assy. - CPO w/1C27-10 Cart (Replaces1C38-1)
1C42-1					1C42-1	Fuel Pump Cartridge - Customer Property Overhaul
1C44-1			C11BC0031		1C44-1	Fuel Pump Cartridge - Customer Property Overhaul
1C44-2			C11BC0031		1C44-2	Fuel Pump Cartridge - Customer Property Overhaul
1C45-3					1C45-3	Fuel Pump Cartridge - Customer Property Overhaul
1C45-5					1C45-5	Fuel Pump Cartridge - Customer Property Overhaul
1C45-6					1C45-6	Fuel Pump Cartridge - Customer Property Overhaul
1C49-3					1C49-3	Fuel Pump - Overhauled Exchange (Replaced by 1C49-5)
1C49-5					1C49-5	Fuel Pump - Overhauled Exchange
1C54-1			481 844		1C54-1	Fuel Pump - Customer Property Overhaul
1C64-1				206-062-687-101	1C64-1	Fuel Pump Assembly - CPO w/ 2C27-3 Cart.
1C64-2					1C64-2	Fuel Pump Assembly - Customer Property Overhaul
1C64-5				118-389006-5	1C64-5	Fuel Pump Assembly - Customer Property Overhaul
1C64-7				117-64151-01, -03	1C64-7	Fuel Pump Assembly - Customer Property Overhaul
1C64-12				118-389006-7	1C64-12	Fuel Pump Assembly - Customer Property Overhaul
1D1-6	60-389010-15				1D1-6	Fuel Pump - Overhauled Exchange
1D1-8	50-389041-9				1D1-8	Fuel Pump - Overhauled Exchange
1D2-6					1D2-6	Fuel Pump - CPO (Replaced by RA1D2-12)
					RA1D2-12	Fuel Pump Cartridge FAA-PMA New Exc. or OH. Exc.
1D2-7					1D2-7	Fuel Pump - CPO (Replaced by RA1D2-13)
					RA1D2-13	Fuel Pump Cartridge FAA-PMA New Exc. or OH. Exc.
1D2-9					1D2-9	Fuel Pump - Overhauled Exchange
1D2-12	50-380177-5				1D2-12	Fuel Pump - Overhauled Exchange (Replaces 1D2-6)
					RA1D2-12	Fuel Pump Cartridge FAA-PMA New Exc. or OH. Exc.
1D2-13	50-380177-7				1D2-13	Fuel Pump - Overhauled Exchange
					RA1D2-13	Fuel Pump Cartridge FAA-PMA New Exc. or OH. Exc.
1D2-14					1D2-14	Fuel Pump - CPO (Replaced by RA1D2-17)
1D2-16					1D2-16	Fuel Pump - CPO (Replaced by RA1D2-12)
1D2-17				C6SC1005-5	1D2-17	Fuel Pump - Overhauled Exchange
					RA1D2-17	Fuel Pump Cartridge FAA-PMA New Exc. or OH. Exc.
1D3-1					1D3-1	Fuel Pump - Customer Property Overhaul
1D3-4				630309-503	1D3-4	Fuel Pump - Overhauled Exchange
2B6-6			481 813		2B6-6	Fuel Pump - Customer Property Overhaul
2B6-9					2B6-9	Fuel Pump - Customer Property Overhaul
2B6-16			481 748		2B6-16	Fuel Pump - Overhauled Exchange
2B6-26			757 431		2B6-26	Fuel Pump - Customer Property Overhaul
2B6-28			481 756		2B6-28	Fuel Pump - CPO (Replaced by 2B6-44)
2B6-32			481 757		2B6-32	Fuel Pump - Customer Property Overhaul (SS by 2B6-63)
2B6-33			481 758		2B6-33	Fuel Pump - Customer Property Overhaul (SS by 2B6-64)
2B6-34					2B6-34	Fuel Pump - Customer Property Overhaul
2B6-36			481 768		2B6-36	Fuel Pump - Customer Property Overhaul
2B6-38					2B6-38	Fuel Pump - CPO (Replaced by 2B7-35)
2B6-44			481 776		2B6-44	Fuel Pump - Overhauled Exchange
2B6-47					2B6-47	Fuel Pump - Customer Property Overhaul
2B6-50			481 783		2B6-50	Fuel Pump - Customer Property Overhaul (SS by 2B6-63)
2B6-51			481 782		2B6-51	Fuel Pump - Customer Property Overhaul (SS by 2B6-64)
2B6-52					2B6-52	Fuel Pump - Customer Property Overhaul
2B6-63			481 802		2B6-63	Fuel Pump - Overhauled Exchange
2B6-64			481 801		2B6-64	Fuel Pump - Overhauled Exchange
2B6-69					2B6-69	Fuel Pump - Customer Property Overhaul
2B6-72					2B6-72	Fuel Pump - Overhauled Exchange (APU)
2B6-73			481 833		2B6-73	Fuel Pump - Overhauled Exchange
2B6-74					2B6-74	Fuel Pump - Customer Property Overhaul
2B6-75			481 836		2B6-75	Fuel Pump - Customer Property Overhaul
2B6-81				215T64111-2	2B6-81	Fuel Pump - Customer Property Overhaul
2B6-82					2B6-82	Fuel Pump - Customer Property Overhaul
2B6-84					2B6-84	Fuel Pump - Overhauled Exchange
2B6-86			461 724		2B6-86	Fuel Pump - Customer Property Overhaul
2B6-88			461 749		2B6-88	Fuel Pump - Customer Property Overhaul
2B7-1					2B7-1	Fuel Pump - Customer Property Overhaul
2B7-29		9910202-1, -2, -3, -4			2B7-29	Fuel Pump - Overhauled Exchange
2B7-34					2B7-34	Fuel Pump - Overhauled Exchange
2B7-35					2B7-35	Fuel Pump - Customer Property Overhaul
2B7-38					2B7-38	Fuel Pump - Customer Property Overhaul
2B7-40					2B7-40	Fuel Pump - Customer Property Overhaul
2B7-44					2B7-44	Fuel Pump - Customer Property Overhaul
2B7-45					2B7-45	Fuel Pump - Customer Property Overhaul
2B7-51					2B7-51	Fuel Pump - Customer Property Overhaul
2C6-2					2C6-2	Fuel Pump - Customer Property Overhaul
2C6-3					2C6-3	Fuel Pump - Customer Property Overhaul
2C6-5					2C6-5	Fuel Pump - Customer Property Overhaul
2C6-7			481 840 84100-003		2C6-7	Fuel Pump - Overhauled Exchange (4 hole base) (6 hole base)
2C6-8					2C6-8	Fuel Pump - Customer Property Overhaul
2C7-1					2C7-1	Fuel Pump - Customer Property Overhaul
2C7-4					2C7-4	Fuel Pump - Customer Property Overhaul
2C12-1				205-060-606-3	2C12-1	Fuel Pump - Customer Property Overhaul
2C12-7					2C12-7	Fuel Pump - Customer Property Overhaul
2C27-1				411523487-00 411523487-00	2C27-1 RA2C27-1	Fuel Pump Cartridge - Overhauled Exchange Fuel Pump Cartridge FAA-PMA New Exc. or OH. Exc.
2C27-2				AC520251	2C27-2	Fuel Pump Cartridge - Customer Property Overhaul
2C27-3				118-389006-3	2C27-3 RA2C27-3	Fuel Pump Cartridge - Overhauled Exchange Fuel Pump Cartridge FAA-PMA New Exc. or OH. Exc.
2C27-4					2C27-4	Fuel Pump Cartridge - Customer Property Overhaul
2C37-1					2C37-1	Fuel Pump Cartridge - Customer Property Overhaul
2C37-2					2C37-2	Fuel Pump - Customer Property Overhaul
3B7-1					3B7-1	Fuel Pump - Customer Property Overhaul
3B7-4				630390-503	3B7-4	Fuel Pump - Customer Property Overhaul
3B7-17					3B7-17	Fuel Pump - Customer Property Overhaul

For Reference Only



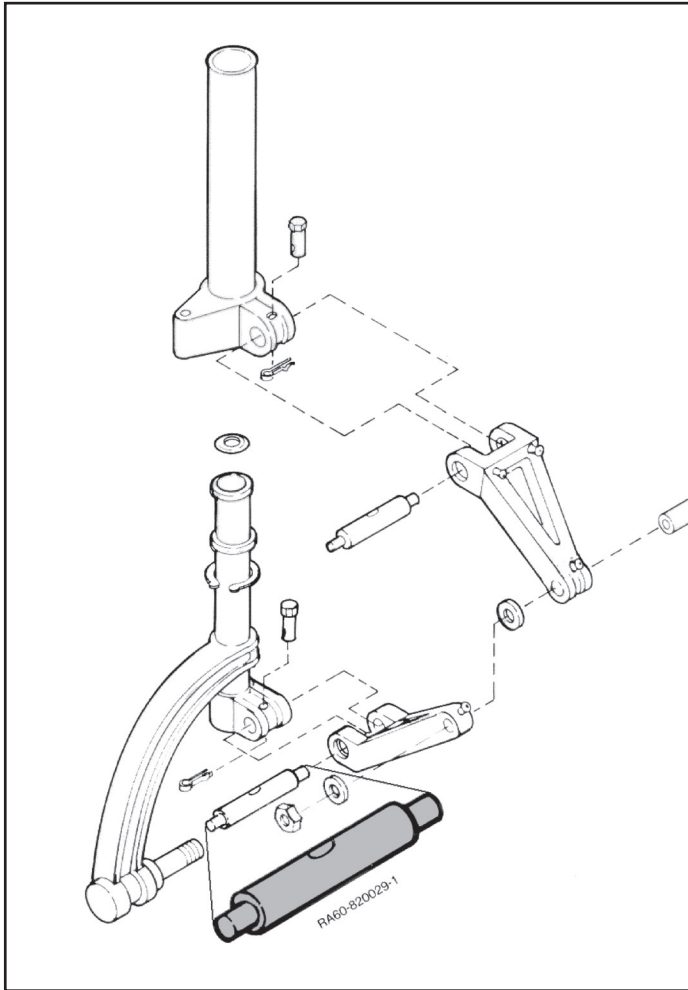
Dukes Fuel Pump Cross Reference

Dukes - Overhaul Exchange

Dukes PN.	RAPCO	Description
1171-00-1	1171-00-1	Fuel Pump Overhaul Exchange
1184-00-1	1184-00-1	Fuel Pump Overhaul Exchange
1184-00-3	1184-00-3	Fuel Pump Overhaul Exchange
1296-00-1	1296-00-1	Fuel Pump Overhaul Exchange
1420-00-1	1420-00-1	Fuel Pump Overhaul Exchange
1429-00-1	1429-00-1	Fuel Pump Overhaul Exchange
1458-00-1	1458-00-1	Fuel Pump Overhaul Exchange
1471-00-3	1471-00-3	Fuel Pump Overhaul Exchange
1499-00-19	1499-00-19	Fuel Pump Overhaul Exchange
1499-00-21	1499-00-21	Fuel Pump Overhaul Exchange
1500-00-22	1500-00-22	Fuel Pump Overhaul Exchange
1500-00-35	1500-00-35	Fuel Pump Overhaul Exchange
1500-00-38	1500-00-38	Fuel Pump Overhaul Exchange
1500-00-65	1500-00-65	Fuel Pump Overhaul Exchange
1500-00-67	1500-00-67	Fuel Pump Overhaul Exchange
1515-00-1	1515-00-1	Fuel Pump Overhaul Exchange
1521-00-1	1521-00-1	Fuel Pump Overhaul Exchange
1521-00-3	1521-00-3	Fuel Pump Overhaul Exchange
1816-00-1	1816-00-1	Fuel Pump Overhaul Exchange
4140-00	4140-00	Fuel Pump Overhaul Exchange
4140-00-1	4140-00-1	Fuel Pump Overhaul Exchange
4140-00-7	4140-00-7	Fuel Pump Overhaul Exchange
4140-00-11	4140-00-11	Fuel Pump Overhaul Exchange
4140-00-15	4140-00-15	Fuel Pump Overhaul Exchange
4140-00-17	4140-00-17	Fuel Pump Overhaul Exchange
4140-00-17N	4140-00-17N	Fuel Pump Overhaul Exchange
4140-00-19A	4140-00-19A	Fuel Pump Overhaul Exchange
4140-00-21A	4140-00-21A	Fuel Pump Overhaul Exchange
4140-00-39	4140-00-39	Fuel Pump Overhaul Exchange
4140-00-47	4140-00-47	Fuel Pump Overhaul Exchange
4140-00-57	4140-00-57	Fuel Pump Overhaul Exchange
4140-00-103	4140-00-103	Fuel Pump Overhaul Exchange
4140-00-153	4140-00-153	Fuel Pump Overhaul Exchange
4140-00-191	4140-00-191	Fuel Pump Overhaul Exchange
4140-00-218	4140-00-218	Fuel Pump Overhaul Exchange
4140-00-220	4140-00-220	Fuel Pump Overhaul Exchange
4140-00-301	4140-00-301	Fuel Pump Overhaul Exchange
4140-00-311	4140-00-311	Fuel Pump Overhaul Exchange
4150-00	4150-00	Fuel Pump Customer Property OH
4150-00-1	4150-00-1	Fuel Pump Customer Property OH
4258-00-15	4258-00-15	Fuel Pump Overhaul Exchange
4404-00-7	4404-00-7	Fuel Pump Overhaul Exchange
4404-00-8	4404-00-8	Fuel Pump Overhaul Exchange
4613-00-1	4613-00-1	Fuel Pump Overhaul Exchange
4613-00-3	4613-00-3	Fuel Pump Overhaul Exchange
4613-00-5	4613-00-5	Fuel Pump Overhaul Exchange

TOW PIN

RA60-820029-1



Replaces: Beechcraft P/N:
60-820029-1

FAA-PMA APPROVED INSTALLATION ELIGIBILITY

Debonair: 35-A33, 35-B33, 35-C33,
35-C33A, E33, F33

Bonanza: G33, E33A, F33A, F33C,
N35, P35, S35, V35, V35A,
V35B, 36, A36, A36TC,
B36TC

Baron: 95-55, 95-A55, 95-B55,
95-C55, D55, E55, 56TC,
A56TC, 58, 58TC, 58P

Duke: B60

- **Nickel Plated**
- **Heat Treated**

Designed to help protect against
damage to nose gear during towing
operations

RAPCO, inc.

REPLACEMENT AIRCRAFT PARTS CO.

445 Cardinal Lane

Hartland, Wisconsin 53029 USA

For a list of Distributors, please click on the document on the
home screen or visit www.rapcoinc.com





Master Parts Cross Reference

RAPCO INC. MASTER CROSS REFERENCE

Original Part Number	RAPCO Part Number	Description	Availability
156	RA105-00200	Rivet	Normally Stocked
157	RA632837	Exhaust Gasket	Normally Stocked
158	RA628260	Exhaust Gasket	Normally Stocked
160	RA75118	Exhaust Gasket	Normally Stocked
161	RALW15619	Exhaust Gasket	Normally Stocked
561	RA105-00200	Rivet	Normally Stocked
971	RALW15486	Exhaust Gasket	Normally Stocked
3006	RA066-10600	Brake Lining	Normally Stocked
3007	RA066-10600	Brake Lining	Normally Stocked
3503	RA985	Exhaust Gasket	Normally Stocked
6638	RA2171-2	Wire Harness	Normally Stocked
6834	RA2192-4	Wire Harness	Normally Stocked
6871	RA1989-4	Wire Harness	Normally Stocked
6881	RA2117-4	Wire Harness	Normally Stocked
6887	RA2192-2	Wire Harness	Normally Stocked
6905	RA1288-7	Propeller De-icer	Normally Stocked
6941	RA2469-2	Wire Harness	Normally Stocked
6951	RA2117-8	Wire Harness	Normally Stocked
6952	RA2192-3	Wire Harness	Normally Stocked
6953	RA2192-5	Wire Harness	Normally Stocked
6954	RA2192-6	Wire Harness	Normally Stocked
6955	RA2194-1	Wire Harness	Normally Stocked
6956	RA2194-2	Wire Harness	Normally Stocked
6959	RA1989-3	Wire Harness	Normally Stocked
6960	RA2150	Wire Harness	Normally Stocked
6961	RA2150-2	Wire Harness	Normally Stocked
6962	RA2067-1	Wire Harness Kit	Normally Stocked
6963	RA2067-2	Wire Harness Kit	Normally Stocked
6964	RA2067-3	Wire Harness Kit	Normally Stocked
6965	RA2067-4	Wire Harness Kit	Normally Stocked
6982	RA1314-3	Propeller De-icer	Normally Stocked
6987	RA2469-1	Wire Harness	Normally Stocked
6992	RA40387	Wire Harness	Normally Stocked
6993	RA2194-3	Wire Harness	Normally Stocked
7021	RA1989-2	Wire Harness	Normally Stocked
7022	RA2192-1	Wire Harness	Normally Stocked
21493	RA632837	Exhaust Gasket	Normally Stocked
37572	RA38572	Propeller Alcohol Feed Shoe	Normally Stocked
57354	MS9144-01	Propeller Governor Gasket	Normally Stocked
61259	RA75118	Exhaust Gasket	Normally Stocked
65321	RA75118	Exhaust Gasket	Normally Stocked
67196	RA75118	Exhaust Gasket	Normally Stocked
73720	RA75118	Exhaust Gasket	Normally Stocked
74756	RALW15619	Exhaust Gasket	Normally Stocked
75118	RA75118	Exhaust Gasket	Normally Stocked
77611	RA77611	Exhaust Gasket	Normally Stocked
103351	RA2056-4	Propeller De-icer	Normally Stocked
103359	RA2252-4	Propeller De-icer	Normally Stocked
103763	RA40330	Wire Harness	Normally Stocked
103765	RA40531	Wire Harness	Normally Stocked
103766	RA40585	Wire Harness	Normally Stocked
103767	RA-C165013-0604	Wire Harness	Normally Stocked
200441	RA2J4-4	Inline Air Filter	Normally Stocked
201442	RA2J4-4	Inline Air Filter	Normally Stocked
209217	MS9144-01	Propeller Governor Gasket	Normally Stocked
531083	MS9144-01	Propeller Governor Gasket	Normally Stocked
537379	RA628260	Exhaust Gasket	Normally Stocked
627429	RA627429	Exhaust Gasket	Normally Stocked
628260	RA628260	Exhaust Gasket	Normally Stocked
628261	RA628260	Exhaust Gasket	Normally Stocked
629427	RA628260	Exhaust Gasket	Normally Stocked
630365	RA630365	Exhaust Gasket	Normally Stocked
631544	RA631544	Exhaust Gasket	Normally Stocked
632837	RA632837	Exhaust Gasket	Normally Stocked
632884	RA636465	Turbocharger Wastegate Gasket	Normally Stocked



Master Parts Cross Reference

Original Part Number	RAPCO Part Number	Description	Availability
636465	RA636465	Turbocharger Wastegate Gasket	Normally Stocked
649428	RA627429	Exhaust Gasket	Normally Stocked
652458	RA628260	Exhaust Gasket	Normally Stocked
652459	RA627429	Exhaust Gasket	Normally Stocked
4000365	RA5009212	Brake Puck - Helicopter Rotor	Normally Stocked
5009212	RA5009212	Brake Puck - Helicopter Rotor	Normally Stocked
9518809	1C27-10	Fuel Pump Cart. - OH Exc. (Replaces 1C27-4)	4 day
9518810	1C27-18	Fuel Pump Cartridge - Overhauled Exchange	4 day
063-01100	RA063-01100	Pressure Plates	Normally Stocked
063-01200	RA063-01200	Pressure Plates	Normally Stocked
063-01300	RA063-01300	Pressure Plates	Normally Stocked
063-02500	RA063-02500	Pressure Plates	Normally Stocked
063-30025	RA063-30025	Pressure Plates	Normally Stocked
066-00200	RA066-10600	Brake Lining	Normally Stocked
066-00300	RA066-10600	Brake Lining	Normally Stocked
066-00400	RA066-11100	Brake Lining	Normally Stocked
066-01500	RA066-06500	Brake Lining	Normally Stocked
066-01900	RA066-06200	Brake Lining	Normally Stocked
066-02200	RA066-02200	Brake Lining	Normally Stocked
066-03000	RA066-10500	Brake Lining	Normally Stocked
066-03300	RA066-03300	Brake Lining	Normally Stocked
066-03500	RA066-10800	Brake Lining	Normally Stocked
066-04400	RA066-04400	Brake Lining	Normally Stocked
066-05500 (HD)	RA066-10500	Brake Lining	Normally Stocked
066-05600 (HD)	RA066-10600	Brake Lining	Normally Stocked
066-05700 (HD)	RA066-10600	Brake Lining	Normally Stocked
066-05800 (HD)	RA066-11100	Brake Lining	Normally Stocked
066-06200	RA066-06200	Brake Lining	Normally Stocked
066-06400	RA066-06400	Brake Lining	Normally Stocked
066-06500	RA066-06500	Brake Lining	Normally Stocked
066-06600	RA066-06600	Brake Lining	Normally Stocked
066-06700	RA066-06700	Brake Lining	Normally Stocked
066-06800	RA066-06800	Brake Lining	Normally Stocked
066-07300	RA066-07300	Brake Lining	Normally Stocked
066-07900	RA066-09000	Brake Lining	Normally Stocked
066-08700 (HD)	RA066-30026	Brake Lining	Normally Stocked
066-08800 (HD)	RA066-30026	Brake Lining	Normally Stocked
066-09000	RA066-09000	Brake Lining	Normally Stocked
066-09100	RA066-09100	Brake Lining	Normally Stocked
066-09200	RA066-09200	Brake Lining	Normally Stocked
066-09400	RA066-10600	Brake Lining	Normally Stocked
066-09500	RA066-10500	Brake Lining	Normally Stocked
066-09700	RA066-09700	Brake Lining	Normally Stocked
066-10000	RA066-10000	Brake Lining	Normally Stocked
066-10500	RA066-10500	Brake Lining	Normally Stocked
066-10500	RA066-10500-4K	Brake Lining Kit	Normally Stocked
066-10500	RA066-10500-8K	Brake Lining Kit	Normally Stocked
066-10600	RA066-10600	Brake Lining	Normally Stocked
066-10600	RA066-10600-4K	Brake Lining Kit	Normally Stocked
066-10600	RA066-10600-8K	Brake Lining Kit	Normally Stocked
066-10800	RA066-10800	Brake Lining	Normally Stocked
066-10800	RA066-10800-12K	Brake Lining Kit	Normally Stocked
066-10800	RA066-10800-8K	Brake Lining Kit	Normally Stocked
066-10900	RA066-30026	Brake Lining	Normally Stocked
066-11000	RA066-11000	Brake Lining	Normally Stocked
066-11100	RA066-11100	Brake Lining	Normally Stocked
066-11100	RA066-11100-4K	Brake Lining Kit	Normally Stocked
066-11200	RA066-11200	Brake Lining	Normally Stocked
066-11200	RA066-11200-4K	Brake Lining Kit	Normally Stocked
066-13100	RA066-13100	Brake Lining	Normally Stocked
066-14100	RA066-14100	Brake Lining	Normally Stocked
066-14800	RA066-14800	Brake Lining	Normally Stocked
066-14800	RA066-14800	Brake Lining	Normally Stocked
066-15300	RA066-15300	Brake Lining	Normally Stocked
066-30026	RA066-30026	Brake Lining	Normally Stocked
066-30026	RA066-30026-4K	Brake Lining Kit	Normally Stocked
066-30026	RA066-30026-8K	Brake Lining Kit	Normally Stocked
068-01100	RA068-01100	Shims Insulators	Normally Stocked
068-01600	RA068-01600	Shims Insulators	Normally Stocked



Master Parts Cross Reference

Original Part Number	RAPCO Part Number	Description	Availability
068-01700	RA068-01700	Shims Insulators	Normally Stocked
068-02700	RA068-02700	Shims Insulators	Normally Stocked
068-02800	RA068-02800	Shims Insulators	Normally Stocked
068-02900	RA068-02900	Shims Insulators	Normally Stocked
068-03100	RA068-03100	Shims Insulators	Normally Stocked
068-04100	RA068-04100	Shims Insulators	Normally Stocked
068-04600	RA068-04600	Shims Insulators	Normally Stocked
073-02600	RA073-02600	Pressure Plate Assembly	Normally Stocked
073-08500	RA073-08500	Pressure Plate Assembly	Normally Stocked
073-08502	RA073-08502	Pressure Plate Assembly	Normally Stocked
101-524009-0161	RA101-524009-0163	Rudder Boost Filter	Normally Stocked
101-524009-0163	RA101-524009-0163	Rudder Boost Filter	Normally Stocked
101-524009-91	RA101-524009-0163	Rudder Boost Filter	Normally Stocked
105-00200	RA105-00200	Rivet	Normally Stocked
105-06700	RA105-06700	Rivet	Normally Stocked
105-2	RA105-00200	Rivet	Normally Stocked
109-00200	RA109-00200	Wear Pad	Normally Stocked
109-00201	RA109-00201	Wear Pad	Normally Stocked
109-01500	RA109-01500	Wear Pad	Normally Stocked
1171-00-1	1171-00-1	Fuel Pump - Overhauled Exchange	3 day
118-389006-3	2C27-3	Fuel Pump Cartridge - Overhauled Exchange	4 day
118-389006-5	1C64-5	Fuel Pump Assembly - Customer Property Overhaul	4 day
118-389006-7	1C64-12	Fuel Pump Assembly - Customer Property Overhaul	4 day
1184-00-1	1184-00-1	Fuel Pump - Overhauled Exchange	3 day
1184-00-3	1184-00-3	Fuel Pump - Overhauled Exchange	3 day
1296-00-1	1296-00-1	Fuel Pump - Overhauled Exchange	3 day
133A16	RA2H3-12	Pneumatic Vacuum Regulator	Normally Stocked
133A3	RA2H3-2	Pneumatic Vacuum Regulator	Normally Stocked
133A4	RA2H3-23	Pneumatic Vacuum Regulator	Normally Stocked
133B3	RA2H3-6	Pneumatic Vacuum Regulator	Normally Stocked
133C1	RA2H3-5	Pneumatic Vacuum Regulator	Normally Stocked
134A3	RA1K1-4-6	Pneumatic Instrument Fitting	Normally Stocked
1420-00-1	1420-00-1	Fuel Pump - Overhauled Exchange	3 day
1429-00-1	1429-00-1	Fuel Pump - Overhauled Exchange	3 day
1458-00-1	1458-00-1	Fuel Pump - Overhauled Exchange	3 day
1471-00-3	1471-00-3	Fuel Pump - Overhauled Exchange	3 day
1499-00-19	1499-00-19	Fuel Pump - Overhauled Exchange	3 day
1499-00-21	1499-00-21	Fuel Pump - Overhauled Exchange	3 day
1500-00-22	1500-00-22	Fuel Pump - Overhauled Exchange	3 day
1500-00-35	1500-00-35	Fuel Pump - Overhauled Exchange	3 day
1500-00-38	1500-00-38	Fuel Pump - Overhauled Exchange	3 day
1500-00-65	1500-00-65	Fuel Pump - Overhauled Exchange	3 day
1500-00-67	1500-00-67	Fuel Pump - Overhauled Exchange	3 day
1515-00-1	1515-00-1	Fuel Pump - Overhauled Exchange	3 day
1521-00-1	1521-00-1	Fuel Pump (2 Speed) - Customer Property Overhaul	Call* 3 day
1521-00-3	1521-00-3	Fuel Pump (2 Speed) - Customer Property Overhaul	Call* 3 day
154-03000	RA154-03000	Molded Grease Seal	Normally Stocked
164-001	RA164-00900	Brake Disc	Normally Stocked
164-00100	RA164-00900	Brake Disc	Normally Stocked
164-00206	RA164-00206	Brake Disc	Normally Stocked
164-00300	RA164-00300	Brake Disc	Normally Stocked
164-00400	RA164-00400	Brake Disc	Normally Stocked
164-00500	RA164-00500	Brake Disc	Normally Stocked
164-00700	RA164-00700	Brake Disc	Normally Stocked
164-00806	RA164-00806	Brake Disc	Normally Stocked
164-00900	RA164-00900	Brake Disc	Normally Stocked
164-01000	RA164-01000	Brake Disc	Normally Stocked
164-01300	RA164-01300	Brake Disc	Normally Stocked
164-01406	RA164-01406	Brake Disc	Normally Stocked
164-01501	RA164-01501	Brake Disc	Normally Stocked
164-01506	RA164-01506	Brake Disc	Normally Stocked
164-01600	RA164-01600	Brake Disc	Normally Stocked
164-01700	RA164-01700	Brake Disc	Normally Stocked
164-01900	RA164-01900	Brake Disc	Normally Stocked
164-02000	RA164-02000	Brake Disc	Normally Stocked
164-02201	RA164-02201	Brake Disc	Normally Stocked
164-02300	RA164-02300	Brake Disc	Normally Stocked
164-02501	RA164-02504	Brake Disc	Normally Stocked
164-02502	RA164-02505	Brake Disc	Normally Stocked



Master Parts Cross Reference

Original Part Number	RAPCO Part Number	Description	Availability
164-02503	RA164-02505	Brake Disc	Normally Stocked
164-02504	RA164-02504	Brake Disc	Normally Stocked
164-02505	RA164-02505	Brake Disc	Normally Stocked
164-02601	RA164-02601	Brake Disc	Normally Stocked
164-02706	RA164-02706	Brake Disc	Normally Stocked
164-02707	RA164-02707	Brake Disc	Normally Stocked
164-02800	RA164-02800	Brake Disc	Normally Stocked
164-03006	RA164-03006	Brake Disc	Normally Stocked
164-03106	RA164-03106	Brake Disc	Normally Stocked
164-03206	RA164-03206	Brake Disc	Normally Stocked
164-03300	RA164-03300	Brake Disc	Normally Stocked
164-03506	RA164-03506	Brake Disc	Normally Stocked
164-03600	RA164-03601	Brake Disc	Normally Stocked
164-03601	RA164-03601	Brake Disc	Normally Stocked
164-03900	RA164-03906	Brake Disc	Normally Stocked
164-03906	RA164-03906	Brake Disc	Normally Stocked
164-04000	RA164-04000	Brake Disc	Normally Stocked
164-04300	RA164-04300	Brake Disc	Normally Stocked
164-04406	RA164-04406	Brake Disc	Normally Stocked
164-04800	RA164-04800	Brake Disc	Normally Stocked
164-05000	RA164-05006	Brake Disc	Normally Stocked
164-05006	RA164-05006	Brake Disc	Normally Stocked
164-05500	RA164-05500	Brake Disc	Normally Stocked
164-05500	RA164-09100	Brake Disc	Normally Stocked
164-05700	RA164-05700	Brake Disc	Normally Stocked
164-05806	RA164-05806	Brake Disc	Normally Stocked
164-06106	RA164-06106	Brake Disc	Normally Stocked
164-06306	RA164-06306	Brake Disc	Normally Stocked
164-06406	RA164-06406	Brake Disc	Normally Stocked
164-06506	RA164-06506	Brake Disc	Normally Stocked
164-06700	RA164-06700	Brake Disc	Normally Stocked
164-06900	RA164-06900	Brake Disc	Normally Stocked
164-07200	RA164-07200	Brake Disc	Normally Stocked
164-07400	RA164-07400	Brake Disc	Normally Stocked
164-07500	RA164-07500	Brake Disc	Normally Stocked
164-07700	RA164-07700	Brake Disc	Normally Stocked
164-07800	RA164-07800	Brake Disc	Normally Stocked
164-07906	RA164-07906	Brake Disc	Normally Stocked
164-08100	RA164-08100	Brake Disc	Normally Stocked
164-08200	RA164-08200	Brake Disc	Normally Stocked
164-08300	RA164-08300	Brake Disc	Normally Stocked
164-08406	RA164-08406	Brake Disc	Normally Stocked
164-08500	RA164-08500	Brake Disc	Normally Stocked
164-08800	RA164-30615-1	Brake Disc	Normally Stocked
164-08900	RA164-30615-2	Brake Disc	Normally Stocked
164-09000	RA164-30615-3	Brake Disc	Normally Stocked
164-09100	RA164-09100	Brake Disc	Normally Stocked
164-09200	RA164-30440	Brake Disc	Normally Stocked
164-09300	RA164-30195	Brake Disc	Normally Stocked
164-09500	RA164-30414	Brake Disc	Normally Stocked
164-09600	RA164-30398	Brake Disc	Normally Stocked
164-09700	RA164-30388	Brake Disc	Normally Stocked
164-09900	RA164-09900	Brake Disc	Normally Stocked
164-10	RA164-01000	Brake Disc	Normally Stocked
164-13	RA164-01300	Brake Disc	Normally Stocked
164-14F	RA164-01406	Brake Disc	Normally Stocked
164-15A	RA164-01501	Brake Disc	Normally Stocked
164-15F	RA164-01506	Brake Disc	Normally Stocked
164-16	RA164-01600	Brake Disc	Normally Stocked
164-17	RA164-01700	Brake Disc	Normally Stocked
164-19	RA164-01900	Brake Disc	Normally Stocked
164-20	RA164-02000	Brake Disc	Normally Stocked
164-20206	RA164-20206	Brake Disc	Normally Stocked
164-202F	RA164-20206	Brake Disc	Normally Stocked
164-20306	RA164-20306	Brake Disc	Normally Stocked
164-203F	RA164-20306	Brake Disc	Normally Stocked
164-205	RA164-20500	Brake Disc	Normally Stocked
164-20500	RA164-20500	Brake Disc	Normally Stocked
164-206	RA164-20600	Brake Disc	Normally Stocked



Master Parts Cross Reference

Original Part Number	RAPCO Part Number	Description	Availability
164-20600	RA164-20600	Brake Disc	Normally Stocked
164-207	RA164-20700	Brake Disc	Normally Stocked
164-20700	RA164-20700	Brake Disc	Normally Stocked
164-20806	RA164-20806	Brake Disc	Normally Stocked
164-208F	RA164-20806	Brake Disc	Normally Stocked
164-209	RA164-20900	Brake Disc	Normally Stocked
164-20900	RA164-20900	Brake Disc	Normally Stocked
164-210	RA164-21000	Brake Disc	Normally Stocked
164-21000	RA164-21000	Brake Disc	Normally Stocked
164-211	RA164-21100	Brake Disc	Normally Stocked
164-21100	RA164-21100	Brake Disc	Normally Stocked
164-212	RA164-21200	Brake Disc	Normally Stocked
164-21200	RA164-21200	Brake Disc	Normally Stocked
164-216	RA164-21600	Brake Disc	Normally Stocked
164-21600	RA164-21600	Brake Disc	Normally Stocked
164-219	RA164-21900	Brake Disc	Normally Stocked
164-21900	RA164-21900	Brake Disc	Normally Stocked
164-220	RA164-22000	Brake Disc	Normally Stocked
164-22000	RA164-22000	Brake Disc	Normally Stocked
164-22201	RA164-22201	Brake Disc	Normally Stocked
164-22202	RA164-22202	Brake Disc	Normally Stocked
164-222A	RA164-22201	Brake Disc	Normally Stocked
164-222B	RA164-22202	Brake Disc	Normally Stocked
164-224	RA164-22400	Brake Disc	Normally Stocked
164-22400	RA164-22400	Brake Disc	Normally Stocked
164-229	RA164-22900	Brake Disc	Normally Stocked
164-22900	RA164-22900	Brake Disc	Normally Stocked
164-22A	RA164-02201	Brake Disc	Normally Stocked
164-23	RA164-02300	Brake Disc	Normally Stocked
164-230	RA164-23000	Brake Disc	Normally Stocked
164-23000	RA164-23000	Brake Disc	Normally Stocked
164-23001	RA164-23001	Brake Disc	Normally Stocked
164-23002	RA164-23002	Brake Disc	Normally Stocked
164-24200	RA164-24200	Brake Disc	Normally Stocked
164-24400	RA164-24400	Brake Disc	Normally Stocked
164-25A	RA164-02504	Brake Disc	Normally Stocked
164-25B	RA164-02505	Brake Disc	Normally Stocked
164-25C	RA164-02505	Brake Disc	Normally Stocked
164-26A	RA164-02601	Brake Disc	Normally Stocked
164-27F	RA164-02706	Brake Disc	Normally Stocked
164-27G	RA164-02707	Brake Disc	Normally Stocked
164-28	RA164-02800	Brake Disc	Normally Stocked
164-2F	RA164-00206	Brake Disc	Normally Stocked
164-3	RA164-00300	Brake Disc	Normally Stocked
164-30195	RA164-30195	Brake Disc	Normally Stocked
164-30388	RA164-30388	Brake Disc	Normally Stocked
164-30398	RA164-30398	Brake Disc	Normally Stocked
164-30414	RA164-30414	Brake Disc	Normally Stocked
164-30440	RA164-30440	Brake Disc	Normally Stocked
164-30615-1	RA164-30615-1	Brake Disc	Normally Stocked
164-30615-2	RA164-30615-2	Brake Disc	Normally Stocked
164-30615-3	RA164-30615-3	Brake Disc	Normally Stocked
164-30615-4	RA164-30615-1	Brake Disc	Normally Stocked
164-30F	RA164-03006	Brake Disc	Normally Stocked
164-31F	RA164-03106	Brake Disc	Normally Stocked
164-32F	RA164-03206	Brake Disc	Normally Stocked
164-33	RA164-03300	Brake Disc	Normally Stocked
164-35F	RA164-03506	Brake Disc	Normally Stocked
164-36	RA164-03601	Brake Disc	Normally Stocked
164-36A	RA164-03601	Brake Disc	Normally Stocked
164-39	RA164-03906	Brake Disc	Normally Stocked
164-39F	RA164-03906	Brake Disc	Normally Stocked
164-4	RA164-00400	Brake Disc	Normally Stocked
164-40	RA164-04000	Brake Disc	Normally Stocked
164-43	RA164-04300	Brake Disc	Normally Stocked
164-44F	RA164-04406	Brake Disc	Normally Stocked
164-48	RA164-04800	Brake Disc	Normally Stocked
164-5	RA164-00500	Brake Disc	Normally Stocked
164-50	RA164-05006	Brake Disc	Normally Stocked



Master Parts Cross Reference

Original Part Number	RAPCO Part Number	Description	Availability
164-50F	RA164-05006	Brake Disc	Normally Stocked
164-55	RA164-05500	Brake Disc	Normally Stocked
164-55	RA164-09100	Brake Disc	Normally Stocked
164-57	RA164-05700	Brake Disc	Normally Stocked
164-58F	RA164-05806	Brake Disc	Normally Stocked
164-61F	RA164-06106	Brake Disc	Normally Stocked
164-63F	RA164-06306	Brake Disc	Normally Stocked
164-64F	RA164-06406	Brake Disc	Normally Stocked
164-65F	RA164-06506	Brake Disc	Normally Stocked
164-67	RA164-06700	Brake Disc	Normally Stocked
164-69	RA164-06900	Brake Disc	Normally Stocked
164-7	RA164-00700	Brake Disc	Normally Stocked
164-72	RA164-07200	Brake Disc	Normally Stocked
164-74	RA164-07400	Brake Disc	Normally Stocked
164-75	RA164-07500	Brake Disc	Normally Stocked
164-77	RA164-07700	Brake Disc	Normally Stocked
164-78	RA164-07800	Brake Disc	Normally Stocked
164-79F	RA164-07906	Brake Disc	Normally Stocked
164-81	RA164-08100	Brake Disc	Normally Stocked
164-82	RA164-08200	Brake Disc	Normally Stocked
164-83	RA164-08300	Brake Disc	Normally Stocked
164-84F	RA164-08406	Brake Disc	Normally Stocked
164-85	RA164-08500	Brake Disc	Normally Stocked
164-88	RA164-30615-1	Brake Disc	Normally Stocked
164-89	RA164-30615-2	Brake Disc	Normally Stocked
164-8F	RA164-00806	Brake Disc	Normally Stocked
164-9	RA164-00900	Brake Disc	Normally Stocked
164-90	RA164-30615-3	Brake Disc	Normally Stocked
164-91	RA164-09100	Brake Disc	Normally Stocked
164-92	RA164-30440	Brake Disc	Normally Stocked
164-93	RA164-30195	Brake Disc	Normally Stocked
164-95	RA164-30414	Brake Disc	Normally Stocked
164-96	RA164-30398	Brake Disc	Normally Stocked
164-97	RA164-30388	Brake Disc	Normally Stocked
164-99	RA164-09900	Brake Disc	Normally Stocked
177-00300	RA177-00300	Mounting Pin	Normally Stocked
177-00400	RA177-00400	Mounting Pin	Normally Stocked
177-01600	RA177-01600	Mounting Pin	Normally Stocked
177-16	RA177-01600	Mounting Pin	Normally Stocked
177-3	RA177-00300	Mounting Pin	Normally Stocked
177-4	RA177-00400	Mounting Pin	Normally Stocked
1816-00-1	1816-00-1	Fuel Pump - Overhauled Exchange	3 day
199-575A	RA199-575A	Brake Overhaul Kit (PC-12, 30-244)	Normally Stocked
199-579	RA825	Rivet Tool Kit	Normally Stocked
1B5-6	1B5-6	Fuel Pump - Overhauled Exchange	4 day
1B5-8	1B5-8	Fuel Pump - Overhauled Exchange	4 day
1B9-4	1B9-4	Fuel Pump - Overhauled Exchange	4 day
1B9-5	1B9-5	Fuel Pump - Overhauled Exchange	4 day
1C12-1	1C12-1	Fuel Pump - Overhauled Exchange	4 day
1C12-17	1C12-17	Fuel Pump - Customer Property Overhaul	4 day
1C12-23	1C12-23	Fuel Pump - Customer Property Overhaul	4 day
1C12-3	1C12-3	Fuel Pump - Overhauled Exchange	4 day
1C12-32	1C12-32	Fuel Pump - Customer Property Overhaul	4 day
1C12-34	1C12-34	Fuel Pump - Customer Property Overhaul	4 day
1C12-43	1C12-43	Fuel Pump - Customer Property Overhaul	4 day
1C15-1	1C15-1	Fuel Pump - Overhauled Exchange	4 day
1C15-7	1C15-7	Fuel Pump - Overhauled Exchange	4 day
1C27-10	1C27-10	Fuel Pump Cart. - OH Exc. (Replaces 1C27-4)	4 day
1C27-10	RA1C27-10	Fuel Pump Cartridge - New Exchange	Normally Stocked
1C27-10	RA1C27-10-OH	Fuel Pump Cartridge - Overhauled Exchange	4 day
1C27-11	1C27-11	Fuel Pump Cartridge - Overhauled Exchange	4 day
1C27-11	RA1C27-11	Fuel Pump Cartridge - New Exchange	Normally Stocked
1C27-11	RA1C27-11-OH	Fuel Pump Cartridge - Overhauled Exchange	4 day
1C27-14	1C27-14	Fuel Pump Cart. - CPO. (Replaces 1C27-9, 1C27-12)	4 day
1C27-14	RA1C27-14	Fuel Pump Cartridge - New Exchange	Normally Stocked
1C27-14	RA1C27-14-OH	Fuel Pump Cartridge - Overhauled Exchange	4 day
1C27-18	1C27-18	Fuel Pump Cartridge - Overhauled Exchange	4 day
1C27-18	RA1C27-18	Fuel Pump Cartridge - New Exchange	Normally Stocked
1C27-18	RA1C27-18-OH	Fuel Pump Cartridge - Overhauled Exchange	4 day



Master Parts Cross Reference

Original Part Number	RAPCO Part Number	Description	Availability
1C27-19	1C27-19	Fuel Pump Cartridge - Customer Property Overhaul	4 day
1C27-19	RA1C27-19	Fuel Pump Cartridge - New Exchange	Normally Stocked
1C27-19	RA1C27-19-OH	Fuel Pump Cartridge - Overhauled Exchange	4 day
1C27-20	1C27-20	Fuel Pump Cartridge - Customer Property Overhaul	4 day
1C27-20	RA1C27-20	Fuel Pump Cartridge - New Exchange	Normally Stocked
1C27-20	RA1C27-20-OH	Fuel Pump Cartridge - Overhauled Exchange	4 day
1C27-21	1C27-21	Fuel Pump Cartridge - Customer Property Overhaul	4 day
1C27-5	1C27-5	Fuel Pump Cartridge - Overhauled Exchange	4 day
1C27-5	RA1C27-5	Fuel Pump Cartridge - New Exchange	Normally Stocked
1C27-5	RA1C27-5-OH	Fuel Pump Cartridge - Overhauled Exchange	4 day
1C33-1	1C33-1	Fuel Pump - Customer Property Overhaul	4 day
1C3-4	1C3-4	Fuel Pump - Overhauled Exchange	4 day
1C35-1	1C35-1	Fuel Pump Assy. - OH Exc/w1C27-10 Cart. (SS by 1C38-1)	4 day
1C36-1	1C36-1	Fuel Pump Assy. - OH Exc./w 2C27-1 Carts.	4 day
1C38-1	1C38-1	Fuel Pump Assy. - OH Exc./w 1C27-10 Cart.	4 day
1C38-5	1C38-5	Fuel Pump - CPO 1C38-5 w/1C27-10 Cart(Replaces1C38-1)	4 day
1C42-1	1C42-1	Fuel Pump Cartridge - Customer Property Overhaul	4 day
1C44-1	1C44-1	Fuel Pump Cartridge - Customer Property Overhaul	4 day
1C44-2	1C44-2	Fuel Pump Cartridge - Customer Property Overhaul	4 day
1C45-3	1C45-3	Fuel Pump Cartridge - Customer Property Overhaul	4 day
1C45-5	1C45-5	Fuel Pump Cartridge - Customer Property Overhaul	4 day
1C45-6	1C45-6	Fuel Pump Cartridge - Customer Property Overhaul	4 day
1C49-3	1C49-3	Fuel Pump - Overhauled Exchange (Replaced by 1C49-5)	4 day
1C49-5	1C49-5	Fuel Pump - Overhauled Exchange	4 day
1C54-1	1C54-1	Fuel Pump - Customer Property Overhaul	4 day
1C6-1	1C6-1	Fuel Pump - CPO (Replaced by 1C6-10)	4 day
1C6-10	1C6-10	Fuel Pump - Overhauled Exchange	4 day
1C6-17	1C6-17	Fuel Pump - Customer Property Overhaul	4 day
1C6-2	1C6-2	Fuel Pump - CPO (Replaced by 1C6-9)	4 day
1C64-1	1C64-1	Fuel Pump - Overhaul Exchange w/ 2C27-3 Cartridge	4 day
1C64-12	1C64-12	Fuel Pump Assembly - Customer Property Overhaul	4 day
1C64-2	1C64-2	Fuel Pump - Overhauled Exchange	4 day
1C64-5	1C64-5	Fuel Pump Assembly - Customer Property Overhaul	4 day
1C64-7	1C64-7	Fuel Pump Assembly - Customer Property Overhaul	4 day
1C64-7	1C64-7	Fuel Pump Assembly - Customer Property Overhaul	4 day
1C6-9	1C6-9	Fuel Pump - Overhauled Exchange	4 day
1C7-12	1C7-12	Fuel Pump - Overhauled Exchange	4 day
1C7-13	1C7-13	Fuel Pump - Overhauled Exchange	4 day
1C7-15	1C7-15	Fuel Pump - Overhauled Exchange	4 day
1C7-17	1C7-17	Fuel Pump - Overhauled Exchange	4 day
1C7-23	1C7-23	Fuel Pump - Customer Property Overhaul	4 day
1C7-3	1C7-3	Fuel Pump - Overhauled Exchange	4 day
1C7-5	1C7-5	Fuel Pump - Overhauled Exchange	4 day
1C7-9	1C7-9	Fuel Pump - Overhauled Exchange	4 day
1D1-6	1D1-6	Fuel Pump - Overhauled Exchange	4 day
1D1-8	1D1-8	Fuel Pump - Overhauled Exchange	4 day
1D2-12	1D2-12	Fuel Pump - Overhauled Exchange	4 day
1D2-12	RA1D2-12	Fuel Pump - New Exchange	Normally Stocked
1D2-12	RA1D2-12-OH	Fuel Pump - Overhauled Exchange	4 day
1D2-13	1D2-13	Fuel Pump - Overhauled Exchange	4 day
1D2-13	RA1D2-13	Fuel Pump - New Exchange	Normally Stocked
1D2-13	RA1D2-13-OH	Fuel Pump - Overhauled Exchange	4 day
1D2-14	1D2-14	Fuel Pump - OH Exc. (Replaced by RA1D2-17)	4 day
1D2-16	1D2-16	Fuel Pump - OH Exc. (Replaced by RA1D2-12)	4 day
1D2-17	1D2-17	Fuel Pump - Overhauled Exchange	4 day
1D2-17	RA1D2-17	Fuel Pump - New Exchange	Normally Stocked
1D2-17	RA1D2-17-OH	Fuel Pump - Overhauled Exchange	4 day
1D2-6	1D2-6	Fuel Pump - CPO (Replaced by RA1D2-12)	4 day
1D2-7	1D2-7	Fuel Pump - CPO (Replaced by RA1D2-13)	4 day
1D2-9	1D2-9	Fuel Pump - Overhauled Exchange	4 day
1D3-1	1D3-1	Fuel Pump - Customer Property Overhaul	4 day
1H5-1	RA1H5-1	Manifold Check Valve - New	Normally Stocked
1J10-1	RA1J10-1	Central Air Filter Assembly	Normally Stocked
1J4-4	RA2J4-4	Inline Air Filter	Normally Stocked
1J4-6	RA2J4-6	Inline Air Filter	Normally Stocked
1J4-7	RA2J4-7	Inline Air Filter	Normally Stocked
1K10-4-6	RA1K10-4-6	Pneumatic Instrument Fitting	Normally Stocked
1K10-6-10	RA1K10-6-10	Pneumatic Pump Fitting	Normally Stocked
1K1-4-6	RA1K1-4-6	Pneumatic Instrument Fitting	Normally Stocked



Master Parts Cross Reference

Original Part Number	RAPCO Part Number	Description	Availability
1K1-6-10	RA1K1-6-10	Pneumatic Pump Fitting	Normally Stocked
1K31-4-6-4	RA1K31-4-6-4	Pneumatic Instrument Fitting	Normally Stocked
1K8-6-10	RA1K8-6-10	Pneumatic Pump Fitting	Normally Stocked
200CC	RAP215CC	Dry Air Pump	Normally Stocked
200CC-9	RAP215CC-9	Dry Air Pump	Normally Stocked
200CW	RAP216CW	Dry Air Pump	Normally Stocked
201CC	RAP215CC	Dry Air Pump	Normally Stocked
203CC	RAP215CC	Dry Air Pump	Normally Stocked
204CW	RAP216CW	Dry Air Pump	Normally Stocked
205-02900	RA205-02900	Drive Key	Normally Stocked
205-05201	RA205-05201	Drive Key	Normally Stocked
205-060-606-3	2C12-1	Fuel Pump - Customer Property Overhaul	4 day
206-062-681-101	1C38-1	Fuel Pump Assy. - OH Exc./w 1C27-10 Cart.	4 day
206-062-687-101	1C64-1	Fuel Pump - Overhaul Exchange w/ 2C27-3 Cartridge	4 day
206-063-602-001	1C36-1	Fuel Pump Assy. - OH Exc./w 2C27-1 Carts.	4 day
211CC	211CC	Dry Air Pump Overhauled	Normally Stocked
211CC	RAP215CC	Dry Air Pump	Normally Stocked
211CC-9	211CC-9	Dry Air Pump Customer Property Overhaul	Normally Stocked
211CC-9	RAP215CC-9	Dry Air Pump	Normally Stocked
212CW	212CW	Dry Air Pump Overhauled	Normally Stocked
212CW	RAP216CW	Dry Air Pump	Normally Stocked
212CW	RAP216CW	Dry Air Pump	Normally Stocked
212CW-6	212CW-6	Dry Air Pump Customer Property Overhaul (Call)	CPO (Call) 1 Day
215CC	215CC	Dry Air Pump Overhauled	Normally Stocked
215CC	RAP215CC	Dry Air Pump	Normally Stocked
215CC-9	215CC-9	Dry Air Pump Customer Property Overhaul	Normally Stocked
215CC-9	RAP215CC-9	Dry Air Pump	Normally Stocked
215CC-9KIT	RAVAC-K9	Vacuum System Kit w/215CC-9	Normally Stocked
215CCHK	RAVAC-K1	Vacuum System Kit w/215CC	Normally Stocked
216CW	216CW	Dry Air Pump Overhauled	Normally Stocked
216CW	RAP216CW	Dry Air Pump	Normally Stocked
216CW	RAP216CW	Dry Air Pump	Normally Stocked
216WHK	RAVAC-K2	Vacuum System Kit w/216CW	Normally Stocked
231CC	RAP241CC	Dry Air Pump	Normally Stocked
232CW	RAP242CW	Dry Air Pump	Normally Stocked
241CC	241CC	Dry Air Pump Overhauled	Normally Stocked
241CC	RAP241CC	Dry Air Pump	Normally Stocked
241CC-13	241CC-13	Dry Air Pump Overhauled	Normally Stocked
241CC-13	RAP241CC-13	Dry Air Pump	Normally Stocked
241CC-15	241CC-15	Dry Air Pump Overhauled	Normally Stocked
241CC-15	RAP241CC-15	Dry Air Pump	Normally Stocked
242CW	242CW	Dry Air Pump Overhauled	Normally Stocked
242CW	RAP242CW	Dry Air Pump	Normally Stocked
242CW-10	242CW-10	Dry Air Pump Overhauled	Normally Stocked
242CW-10	RAP242CW-10	Dry Air Pump	Normally Stocked
242CW-4	242CW-4	Dry Air Pump Overhauled	Normally Stocked
242CW-4	RAP242CW-4	Dry Air Pump	Normally Stocked
26740-009	RAP441CC-7	Dry Air Pump	Normally Stocked
26749-007	RAP215CC	Dry Air Pump	Normally Stocked
26749-008	RAP216CW	Dry Air Pump	Normally Stocked
26749-010	RAP442CW-6	Dry Air Pump	Normally Stocked
2B6-16	2B6-16	Fuel Pump - Overhauled Exchange	4 day
2B6-26	2B6-26	Fuel Pump - Customer Property Overhaul	4 day
2B6-28	2B6-28	Fuel Pump - Overhauled Exchange (Replaced by 2B6-44)	4 day
2B6-32	2B6-32	Fuel Pump - Customer Property Overhaul (SS by 2B6-63)	4 day
2B6-33	2B6-33	Fuel Pump - Customer Property Overhaul	4 day
2B6-34	2B6-34	Fuel Pump - Overhauled Exchange	4 day
2B6-36	2B6-36	Fuel Pump - Overhauled Exchange	4 day
2B6-38	2B6-38	Fuel Pump - Overhauled Exchange (Replaced by 2B7-35)	4 day
2B6-44	2B6-44	Fuel Pump - Overhauled Exchange	4 day
2B6-44	2B6-44	Fuel Pump - Overhauled Exchange	4 day
2B6-47	2B6-47	Fuel Pump - Overhauled Exchange	4 day
2B6-50	2B6-50	Fuel Pump - Customer Property Overhaul (SS by 2B6-63)	4 Day
2B6-51	2B6-51	Fuel Pump - Customer Property Overhaul (SS by 2B6-64)	4 day
2B6-52	2B6-52	Fuel Pump - Customer Property Overhaul	4 day
2B6-63	2B6-63	Fuel Pump - Overhauled Exchange	4 day
2B6-64	2B6-64	Fuel Pump - Overhauled Exchange	4 day
2B6-69	2B6-69	Fuel Pump - Overhauled Exchange	4 day
2B6-72	2B6-72	Fuel Pump - Overhauled Exchange (APU)	4 day



Master Parts Cross Reference

Original Part Number	RAPCO Part Number	Description	Availability
2B6-73	2B6-73	Fuel Pump - Overhauled Exchange	4 day
2B6-74	2B6-74	Fuel Pump - Overhauled Exchange	4 day
2B6-75	2B6-75	Fuel Pump - Overhauled Exchange	4 day
2B6-81	2B6-81	Fuel Pump - Customer Property Overhaul	4 day
2B6-82	2B6-82	Fuel Pump - Customer Property Overhaul	4 day
2B6-84	2B6-84	Fuel Pump - Overhauled Exchange	4 day
2B6-86	2B6-86	Fuel Pump - Customer Property Overhaul	4 day
2B6-88	2B6-88	Fuel Pump - Customer Property Overhaul	4 day
2B6-9	2B6-9	Fuel Pump - Overhauled Exchange	4 day
2B7-1	2B7-1	Fuel Pump - Customer Property Overhaul	4 day
2B7-29	2B7-29	Fuel Pump - Overhauled Exchange	4 day
2B7-34	2B7-34	Fuel Pump - Overhauled Exchange	4 day
2B7-35	2B7-35	Fuel Pump - Customer Property Overhaul	4 day
2B7-38	2B7-38	Fuel Pump - Customer Property Overhaul	4 day
2B7-40	2B7-40	Fuel Pump - Customer Property Overhaul	4 day
2B7-44	2B7-44	Fuel Pump - Customer Property Overhaul	4 day
2B7-45	2B7-45	Fuel Pump - Customer Property Overhaul	4 day
2B7-51	2B7-51	Fuel Pump - Customer Property Overhaul	4 day
2C12-1	2C12-1	Fuel Pump - Customer Property Overhaul	4 day
2C12-7	2C12-7	Fuel Pump - Customer Property Overhaul	4 day
2C27-1	2C27-1	Fuel Pump Cartridge - Overhauled Exchange	4 day
2C27-1	RA2C27-1	Fuel Pump Cartridge - New Exchange	Normally Stocked
2C27-1	RA2C27-1-OH	Fuel Pump Cartridge - Overhauled Exchange	4 day
2C27-2	2C27-2	Fuel Pump Cartridge - Customer Property Overhaul	4 day
2C27-3	2C27-3	Fuel Pump Cartridge - Overhauled Exchange	4 day
2C27-3	RA2C27-3	Fuel Pump Cartridge - New Exchange	Normally Stocked
2C27-3	RA2C27-3-OH	Fuel Pump Cartridge - Overhauled Exchange	4 day
2C27-4	2C27-4	Fuel Pump Cartridge - Customer Property Overhaul	4 day
2C37-1	2C37-1	Fuel Pump Cartridge - Customer Property Overhaul	4 day
2C37-2	2C37-2	Fuel Pump - Customer Property Overhaul	4 day
2C6-2	2C6-2	Fuel Pump - Overhauled Exchange	4 day
2C6-3	2C6-3	Fuel Pump - Overhauled Exchange	4 day
2C6-5	2C6-5	Fuel Pump - Customer Property Overhaul	4 day
2C6-8	2C6-8	Fuel Pump - Customer Property Overhaul	4 day
2C7-1	2C7-1	Fuel Pump - Customer Property Overhaul	4 day
2C7-4	2C7-4	Fuel Pump - Customer Property Overhaul	4 day
2E1260	RA1360	Nylon Spacer - Module Terminal	Normally Stocked
2E1940-1	RA2040-1	Wear Strip - Brush Block	Normally Stocked
2H3-11	RA2H3-11	Pneumatic Vacuum Regulator	Normally Stocked
2H3-12	RA2H3-12	Pneumatic Vacuum Regulator	Normally Stocked
2H3-15	RA2H3-15	Pneumatic Vacuum Regulator	Normally Stocked
2H3-16	RA2H3-12	Pneumatic Vacuum Regulator	Normally Stocked
2H3-19	RA2H3-19	Pneumatic Vacuum Regulator	Normally Stocked
2H3-2	RA2H3-2	Pneumatic Vacuum Regulator	Normally Stocked
2H3-23	RA2H3-23	Pneumatic Vacuum Regulator	Normally Stocked
2H3-48	RA2H3-48	Pneumatic Vacuum Regulator	Normally Stocked
2H3-5	RA2H3-5	Pneumatic Vacuum Regulator	Normally Stocked
2H3-6	RA2H3-6	Pneumatic Vacuum Regulator	Normally Stocked
2J4-4	RA2J4-4	Inline Air Filter	Normally Stocked
2J4-6	RA2J4-6	Inline Air Filter	Normally Stocked
2J4-7	RA2J4-7	Inline Air Filter	Normally Stocked
35-204	RA066-11100	Brake Lining	Normally Stocked
35-204	RA066-11100	Brake Lining	Normally Stocked
36-8001-23	RA066-10500	Brake Lining	Normally Stocked
3B7-1	3B7-1	Fuel Pump - Customer Property Overhaul	4 day
3B7-17	3B7-17	Fuel Pump - Customer Property Overhaul	4 day
3B7-4	3B7-4	Fuel Pump - Customer Property Overhaul	4 day
3B7-4	3B7-4	Fuel Pump - Customer Property Overhaul	4 day
3E1206-1	RA1306-1	De-ice Brush	Normally Stocked
3E1206-2	RA1306-2	De-ice Brush	Normally Stocked
3E1206-3	RA1306-3	De-ice Brush	Normally Stocked
3E1443-1	RA1543-1	De-ice Brush	Normally Stocked
3E1443-2	RA1543-2	De-ice Brush	Normally Stocked
3E1443-4	RA1543-5	De-ice Brush Kit	Normally Stocked
3E1443-5	RA1543-5	De-ice Brush	Normally Stocked
3E1443-6	RA1543-7	De-ice Brush Kit - Rodded	Normally Stocked
3E1443-7	RA1543-7	De-ice Brush	Normally Stocked
3E1549	RA1649	Hub Extender - Wire	Normally Stocked
3E1556	RA1656	Hub Extender - Wire	Normally Stocked



Master Parts Cross Reference

Original Part Number	RAPCO Part Number	Description	Availability
3E2011-1	RA2111U	Brush Module - Universal	Normally Stocked
3E2011-1	RA2111U-ROD	Brush Module - Universal	Normally Stocked
3E2011-10	RA2111U-ROD	Brush Module - Universal Rodded	Normally Stocked
3E2011-2	RA2111U	Brush Module - Universal	Normally Stocked
3E2011-2	RA2111U-ROD	Brush Module - Universal	Normally Stocked
3E2011-3	RA2111U	Brush Module - Universal	Normally Stocked
3E2011-3	RA2111U-ROD	Brush Module - Universal	Normally Stocked
3E2011-4	RA2111U	Brush Module - Universal	Normally Stocked
3E2011-4	RA2111U-ROD	Brush Module - Universal	Normally Stocked
3E2011-5	RA2111U	Brush Module - Universal	Normally Stocked
3E2011-5	RA2111U-ROD	Brush Module - Universal	Normally Stocked
3E2011-6	RA2111U	Brush Module - Universal	Normally Stocked
3E2011-8	RA2111U	Brush Module - Universal	Normally Stocked
3E2017-4	RA2117-4	Wire Harness	Normally Stocked
3E2017-8	RA2117-8	Wire Harness	Normally Stocked
3E2042-1	RA2142-1	Modular Brush Assembly	Normally Stocked
3E2042-2	RA2142-2	Modular Brush Assembly	Normally Stocked
3E2044-1	RA2144-1	Modular Brush Assembly	Normally Stocked
3E2044-2	RA2144-2	Modular Brush Assembly	Normally Stocked
3E2046-1	RA2146-1	Modular Brush Assembly	Normally Stocked
3E2046-2	RA2146-2	Modular Brush Assembly	Normally Stocked
3E2046-3	RA2146-3	Modular Brush Assembly	Normally Stocked
3E2050	RA2150	Wire Harness	Normally Stocked
3E2050-2	RA2150-2	Wire Harness	Normally Stocked
3E2062-1	RA2162-1	Modular Brush Assembly	Normally Stocked
3E2062-2	RA2162-2	Modular Brush Assembly	Normally Stocked
3E2071	RA2171	Modular Brush Assembly	Normally Stocked
3E2090-1	RA2190-1	Modular Brush Assembly	Normally Stocked
3E2090-2	RA2190-2	Modular Brush Assembly	Normally Stocked
3E2090-3	RA2190-3	Modular Brush Assembly	Normally Stocked
3E2092-1	RA2192-1	Wire Harness	Normally Stocked
3E2092-2	RA2192-2	Wire Harness	Normally Stocked
3E2092-3	RA2192-3	Wire Harness	Normally Stocked
3E2092-4	RA2192-4	Wire Harness	Normally Stocked
3E2092-5	RA2192-5	Wire Harness	Normally Stocked
3E2092-6	RA2192-6	Wire Harness	Normally Stocked
3E2094-1	RA2194-1	Wire Harness	Normally Stocked
3E2094-2	RA2194-2	Wire Harness	Normally Stocked
3E2094-3	RA2194-3	Wire Harness	Normally Stocked
3E2293-1	RA40387	Wire Harness	Normally Stocked
3E2326-1	RA2426-2	De-ice Brush Kit	Normally Stocked
3E2326-2	RA2426-2	De-ice Brush Kit	Normally Stocked
3E2360-4	RA2460-4	Wire Harness Kit w/ Clamps	Normally Stocked
3E2360-4	RA2460-4HD	Wire Harness	Normally Stocked
3E2369-1	RA2469-1	Wire Harness	Normally Stocked
3E2522-1	RA2620-1	De-ice Brush Kit	Normally Stocked
3H2092-1	RA2192-1	Wire Harness	Normally Stocked
3H2092-5	RA2192-5	Wire Harness	Normally Stocked
411523487-00	2C27-1	Fuel Pump Cartridge - Overhauled Exchange	4 day
411523487-00	RA2C27-1	Fuel Pump Cartridge - New Exchange	Normally Stocked
4140-00	4140-00	Fuel Pump - Overhauled Exchange	3 day
4140-00-1	4140-00-1	Fuel Pump - Overhauled Exchange	3 day
4140-00-103	4140-00-103	Fuel Pump - Overhauled Exchange	3 day
4140-00-11	4140-00-11	Fuel Pump - Overhauled Exchange	3 day
4140-00-15	4140-00-15	Fuel Pump - Overhauled Exchange	3 day
4140-00-153	4140-00-153	Fuel Pump - Overhauled Exchange	3 day
4140-00-17	4140-00-17	Fuel Pump - Overhauled Exchange	3 day
4140-00-17N	4140-00-17N	Fuel Pump - Overhauled Exchange	3 day
4140-00-191	4140-00-191	Fuel Pump - Overhauled Exchange	3 day
4140-00-19A	4140-00-19A	Fuel Pump - Overhauled Exchange	3 day
4140-00-218	4140-00-218	Fuel Pump - Overhauled Exchange	3 day
4140-00-21A	4140-00-21A	Fuel Pump - Overhauled Exchange	3 day
4140-00-220	4140-00-220	Fuel Pump - Overhauled Exchange	3 day
4140-00-301	4140-00-301	Fuel Pump - Overhauled Exchange	3 day
4140-00-311	4140-00-311	Fuel Pump - Overhauled Exchange	3 day
4140-00-39	4140-00-39	Fuel Pump - Overhauled Exchange	3 day
4140-00-47	4140-00-47	Fuel Pump - Overhauled Exchange	3 day
4140-00-57	4140-00-57	Fuel Pump - Overhauled Exchange	3 day
4140-00-7	4140-00-7	Fuel Pump - Overhauled Exchange	3 day



Master Parts Cross Reference

Original Part Number	RAPCO Part Number	Description	Availability
4150-00	4150-00	Fuel Pump (2 Speed) - Customer Property Overhaul	Call* 3 day
4150-00-1	4150-00-1	Fuel Pump (2 Speed) - Customer Property Overhaul	Call* 3 day
4258-00-15	4258-00-15	Fuel Pump - Overhaul Exchange	3 day
431CC	RAP441CC	Dry Air Pump	Normally Stocked
431CC-7	RAP441CC-7	Dry Air Pump	Normally Stocked
431CC-9	RAP441CC-9	Dry Air Pump	Normally Stocked
432CW	RAP442CW	Dry Air Pump	Normally Stocked
432CW-12	RAP442CW-12	Dry Air Pump	Normally Stocked
432CW-6	RAP442CW-6	Dry Air Pump	Normally Stocked
432CW-8	RAP442CW-8	Dry Air Pump	Normally Stocked
4404-00-7	4404-00-7	Fuel Pump (2 Speed) - Overhauled Exchange	3 day
4404-00-8	4404-00-8	Fuel Pump (2 Speed) - Overhauled Exchange	3 day
441CC	441CC	Dry Air Pump Overhauled	Normally Stocked
441CC	RAP441CC	Dry Air Pump	Normally Stocked
441CC-11	441CC-11	Dry Air Pump Overhauled	Normally Stocked
441CC-17	441CC-17	Dry Air Pump Overhauled	Normally Stocked
441CC-17	RAP441CC-17	Dry Air Pump	Normally Stocked
441CC-23	441CC-23	Dry Air Pump Overhauled	Normally Stocked
441CC-23	RAP441CC-23	Dry Air Pump	Normally Stocked
441CC-3	441CC-3	Dry Air Pump Overhauled	Normally Stocked
441CC-3	RAP441CC-3	Dry Air Pump	Normally Stocked
441CC-7	441CC-7	Dry Air Pump Overhauled	Normally Stocked
441CC-7	RAP441CC-7	Dry Air Pump	Normally Stocked
441CC-9	441CC-9	Dry Air Pump Overhauled	Normally Stocked
441CC-9	RAP441CC-9	Dry Air Pump	Normally Stocked
442CW	442CW	Dry Air Pump Overhauled	Normally Stocked
442CW	RAP442CW	Dry Air Pump	Normally Stocked
442CW-10	442CW-10	Dry Air Pump Overhauled	Normally Stocked
442CW-12	442CW-12	Dry Air Pump Overhauled	Normally Stocked
442CW-12	RAP442CW-12	Dry Air Pump	Normally Stocked
442CW-14	442CW-14	Dry Air Pump Overhauled	Normally Stocked
442CW-14	RAP442CW-14	Dry Air Pump	Normally Stocked
442CW-20	442CW-20	Dry Air Pump Overhauled	Normally Stocked
442CW-20	RAP442CW-20	Dry Air Pump	Normally Stocked
442CW-4	442CW-4	Dry Air Pump Overhauled	Normally Stocked
442CW-4	RAP442CW-4	Dry Air Pump	Normally Stocked
442CW-6	442CW-6	Dry Air Pump Overhauled	Normally Stocked
442CW-6	RAP442CW-6	Dry Air Pump	Normally Stocked
442CW-8	442CW-8	Dry Air Pump Overhauled	Normally Stocked
442CW-8	RAP442CW-8	Dry Air Pump	Normally Stocked
451-939	RA1K10-4-6	Pneumatic Instrument Fitting	Normally Stocked
456-818	RA164-05006	Brake Disc	Normally Stocked
458-945	RA1K1-4-6	Pneumatic Instrument Fitting	Normally Stocked
458-958	RA1K1-6-10	Pneumatic Pump Fitting	Normally Stocked
45AS48015-2	1C7-15	Fuel Pump - Overhauled Exchange	4 day
45AS48015-3	1C7-9	Fuel Pump - Overhauled Exchange	4 day
460-857	RA2J4-4	Inline Air Filter	Normally Stocked
460-866	RA2J4-6	Inline Air Filter	Normally Stocked
460-888	RA2J4-4	Inline Air Filter	Normally Stocked
461 724	2B6-86	Fuel Pump - Customer Property Overhaul	4 day
4613-00-1	4613-00-1	Fuel Pump (2 Speed) - Overhauled Exchange	3 day
4613-00-3	4613-00-3	Fuel Pump (2 Speed) - Overhauled Exchange	3 day
4613-00-5	4613-00-5	Fuel Pump (2 Speed) - Overhauled Exchange	3 day
481 702	2B6-51	Fuel Pump - Customer Property Overhaul (SS by 2B6-64)	4 day
481 708	1B5-6	Fuel Pump - Overhauled Exchange	4 day
481 708	2B6-44	Fuel Pump - Overhauled Exchange	4 day
481 737	1D3-1	Fuel Pump - Customer Property Overhaul	4 day
481 755	1C6-9	Fuel Pump - Overhauled Exchange	4 day
481 757	2B6-32	Fuel Pump - Customer Property Overhaul (SS by 2B6-63)	4 day
481 758	2B6-33	Fuel Pump - Customer Property Overhaul SS by 2B6-64)	4 day
481 776	2B6-44	Fuel Pump - Overhauled Exchange	4 day
481 783	2B6-50	Fuel Pump - Customer Property Overhaul (SS by 2B6-63)	4 Day
481 786	2B6-36	Fuel Pump - Overhauled Exchange	4 day
481 801	2B6-64	Fuel Pump - Overhauled Exchange	4 day
481 802	2B6-63	Fuel Pump - Overhauled Exchange	4 day
481 813	2B6-6	Fuel Pump - Overhauled Exchange	4 day
481 833	2B6-73	Fuel Pump - Overhauled Exchange	4 day
481 836	2B6-75	Fuel Pump - Overhauled Exchange	4 day
481 840	2C6-7	Fuel Pump - Overhauled Exchange	4 day



Master Parts Cross Reference

Original Part Number	RAPCO Part Number	Description	Availability
481 844	1C54-1	Fuel Pump - Customer Property Overhaul	4 day
481 854	1C15-7	Fuel Pump - Overhauled Exchange	4 day
481 875	1B9-4	Fuel Pump - Overhauled Exchange	4 day
481-692	RAP215CC	Dry Air Pump	Normally Stocked
481-720	RAP441CC-7	Dry Air Pump	Normally Stocked
481-732	RAP216CW	Dry Air Pump	Normally Stocked
481-738	RAP215CC	Dry Air Pump	Normally Stocked
481-742	RAP442CW-6	Dry Air Pump	Normally Stocked
481753VRB	RAP215CC	Dry Air Pump	Normally Stocked
481754VRB	RAP216CW	Dry Air Pump	Normally Stocked
481764PLH	RAP215CC	Dry Air Pump	Normally Stocked
481765PLH	RAP216CW	Dry Air Pump	Normally Stocked
481-769	RAP441CC-7	Dry Air Pump	Normally Stocked
481-770	RAP442CW-6	Dry Air Pump	Normally Stocked
481-777	RAP441CC-7	Dry Air Pump	Normally Stocked
481-778	RAP442CW-6	Dry Air Pump	Normally Stocked
481-811	RAP441CC-17	Dry Air Pump	Normally Stocked
481-841	RAP442CW-20	Dry Air Pump	Normally Stocked
492-056	RA2H3-23	Pneumatic Vacuum Regulator	Normally Stocked
492-240	RA2H3-19	Pneumatic Vacuum Regulator w/Sw.	Normally Stocked
492-272	RA2H3-23	Pneumatic Vacuum Regulator	Normally Stocked
4E1188-7	RA1288-7	Propeller De-icer	Normally Stocked
4E1214-3	RA1314-3	Propeller De-icer	Normally Stocked
4E1889-2	RA1989-2	Wire Harness	Normally Stocked
4E1889-3	RA1989-3	Wire Harness	Normally Stocked
4E1889-4	RA1989-4	Wire Harness	Normally Stocked
4E1956-4	RA2056-4	Propeller De-icer	Normally Stocked
4E1967-1	RA2067-1	Wire Harness Kit	Normally Stocked
4E1967-2	RA2067-2	Wire Harness Kit	Normally Stocked
4E1967-3	RA2067-3	Wire Harness Kit	Normally Stocked
4E1967-4	RA2067-4	Wire Harness Kit	Normally Stocked
4E2071-1	RA-C165013-0602	Wire Harness	Normally Stocked
4E2071-2	RA2171-2	Wire Harness	Normally Stocked
4E2071-3	RA-C165013-0604	Wire Harness	Normally Stocked
4E2152-2	RA2252-2	Propeller De-icer	Normally Stocked
4E2152-4	RA2252-4	Propeller De-icer	Normally Stocked
4E2218-3	RA2318-3	Spacer - Brush Module	Normally Stocked
4E2218-4	RA2318-4	Spacer - Brush Module	Normally Stocked
4E2218-5	RA2318-5	Spacer - Brush Module	Normally Stocked
4E2218-6	RA2318-6	Spacer - Brush Module	Normally Stocked
4E2369-2	RA2469-2	Wire Harness	Normally Stocked
4E2526-1	RA2626-1	Wire Harness	Normally Stocked
4H1188-7	RA1288-7	Propeller De-icer	Normally Stocked
4H1214-3	RA1314-3	Propeller De-icer	Normally Stocked
4H2071-2	RA2171-2	Wire Harness	Normally Stocked
50-380177-5	1D2-12	Fuel Pump - Overhauled Exchange	4 day
50-380177-5	RA1D2-12	Fuel Pump - New Exchange	Normally Stocked
50-380177-7	RA1D2-13	Fuel Pump - New Exchange	Normally Stocked
50-38094-5	1C12-1	Fuel Pump - Overhauled Exchange	4 day
50-389041-9	1D1-8	Fuel Pump - Overhauled Exchange	4 day
50-389094-5	1C12-1	Fuel Pump - Overhauled Exchange	4 day
560-689	RA2J4-6	Inline Air Filter	Normally Stocked
560-810	RA1K8-6-10	Pneumatic Pump Fitting	Normally Stocked
560-835	RA1K31-4-6-4	Pneumatic Instrument Fitting	Normally Stocked
578-175	RA1543-1	De-ice Brush	Normally Stocked
584-324	RA2H3-6	Pneumatic Vacuum Regulator	Normally Stocked
5855BSW	RA2056-4	Propeller De-icer	Normally Stocked
60-389010-15	1D1-6	Fuel Pump - Overhauled Exchange	4 day
60-820029-1	RA60-820029-1	Tow Pin (Beechcraft Style)	Normally Stocked
6260SW-1	RA-C165013-0602	Wire Harness	Normally Stocked
630160-509	1C15-1	Fuel Pump - Overhauled Exchange	4 day
630309-503	1D3-4	Fuel Pump - Overhauled Exchange	4 day
630390-503	3B7-4	Fuel Pump - Customer Property Overhaul	4 day
6479SW	RA-C165013-0604	Wire Harness	Normally Stocked
6553SW	RA2252-4	Propeller De-icer	Normally Stocked
66-100	RA066-10000	Brake Lining	Normally Stocked
66-105	RA066-10500	Brake Lining	Normally Stocked
66-106	RA066-10600	Brake Lining	Normally Stocked
66-108	RA066-10800	Brake Lining	Normally Stocked



Master Parts Cross Reference

Original Part Number	RAPCO Part Number	Description	Availability
66-109	RA066-30026	Brake Lining	Normally Stocked
66-110	RA066-11000	Brake Lining	Normally Stocked
66-111	RA066-11100	Brake Lining	Normally Stocked
66-112	RA066-11200	Brake Lining	Normally Stocked
66-15	RA066-06500	Brake Lining	Normally Stocked
6615SW	RA2056-4	Propeller De-icer	Normally Stocked
66-19	RA066-06200	Brake Lining	Normally Stocked
66-2	RA066-10600	Brake Lining	Normally Stocked
66-22	RA066-02200	Brake Lining	Normally Stocked
66-3	RA066-10600	Brake Lining	Normally Stocked
66-30	RA066-10500	Brake Lining	Normally Stocked
66-30	RA066-10500	Brake Lining	Normally Stocked
66-33	RA066-03300	Brake Lining	Normally Stocked
66-35	RA066-10800	Brake Lining	Normally Stocked
66-36	RA066-06200	Brake Lining	Normally Stocked
66-39	RA066-11000	Brake Lining	Normally Stocked
66-3900	RA066-11000	Brake Lining	Normally Stocked
66-4	RA066-11100	Brake Lining	Normally Stocked
66-44	RA066-04400	Brake Lining	Normally Stocked
66-55 (HD)	RA066-10500	Brake Lining	Normally Stocked
66-56 (HD)	RA066-10600	Brake Lining	Normally Stocked
66-57 (HD)	RA066-10600	Brake Lining	Normally Stocked
66-58 (HD)	RA066-11100	Brake Lining	Normally Stocked
66-59 (HD)	RA066-10800	Brake Lining	Normally Stocked
66-62	RA066-06200	Brake Lining	Normally Stocked
66-64	RA066-06400	Brake Lining	Normally Stocked
66-65	RA066-06500	Brake Lining	Normally Stocked
66-66	RA066-06600	Brake Lining	Normally Stocked
66-68	RA066-06800	Brake Lining	Normally Stocked
66-71 (HD)	RA066-11200	Brake Lining	Normally Stocked
66-73	RA066-07300	Brake Lining	Normally Stocked
66-79	RA066-09000	Brake Lining	Normally Stocked
66-87	RA066-30026	Brake Lining	Normally Stocked
66-88	RA066-30026	Brake Lining	Normally Stocked
66-90	RA066-09000	Brake Lining	Normally Stocked
66-91	RA066-09100	Brake Lining	Normally Stocked
66-92	RA066-09200	Brake Lining	Normally Stocked
66-94	RA066-10600	Brake Lining	Normally Stocked
66-95	RA066-10500	Brake Lining	Normally Stocked
66-97	RA066-09700	Brake Lining	Normally Stocked
6719SW	RA40330	Wire Harness	Normally Stocked
6936SW	RA2252-2	Propeller De-icer	Normally Stocked
751-815	RA-B3-5-1	Garter Filter Element	Normally Stocked
752-308	RA066-10600	Brake Lining	Normally Stocked
752-309	RA066-10600	Brake Lining	Normally Stocked
752-335	RA066-06500	Brake Lining	Normally Stocked
752-336	RA066-06200	Brake Lining	Normally Stocked
752-338	RA066-11100	Brake Lining	Normally Stocked
752-342	RA066-10500	Brake Lining	Normally Stocked
752-363	RA066-03300	Brake Lining	Normally Stocked
753-427	RA1306-1	De-ice Brush	Normally Stocked
754-518	RA164-00500	Brake Disc	Normally Stocked
754-528	RA164-01300	Brake Disc	Normally Stocked
754-530	RA164-00900	Brake Disc	Normally Stocked
754-535	RA164-02000	Brake Disc	Normally Stocked
754-545	RA164-01900	Brake Disc	Normally Stocked
754-554	RA164-02201	Brake Disc	Normally Stocked
754-562	RA164-03300	Brake Disc	Normally Stocked
754-612	RA164-05700	Brake Disc	Normally Stocked
754-615	RA164-06700	Brake Disc	Normally Stocked
754-617	RA164-01700	Brake Disc	Normally Stocked
754-642	RA164-07700	Brake Disc	Normally Stocked
754-643	RA164-02300	Brake Disc	Normally Stocked
754-650	RA164-00206	Brake Disc	Normally Stocked
754-651	RA164-03206	Brake Disc	Normally Stocked
754-658	RA164-20600	Brake Disc	Normally Stocked
754-686	RA164-21600	Brake Disc	Normally Stocked
754-831	RA164-01000	Brake Disc	Normally Stocked
757-899	RA-D-9-14-5	Inlet Air Filter Element	Normally Stocked



Master Parts Cross Reference

Original Part Number	RAPCO Part Number	Description	Availability
757-899	RA-D9-18-1	Inlet Air Filter Element	Normally Stocked
758-102	RA1360	Nylon Spacer - Module Terminal	Normally Stocked
758-102	RA1360	Nylon Spacer - Module Terminal	Normally Stocked
758-517	RA164-00500	Brake Disc	Normally Stocked
760-538	RA164-03206	Brake Disc	Normally Stocked
761-197	RA066-06200	Brake Lining	Normally Stocked
761-212	RA066-06800	Brake Lining	Normally Stocked
7931-172004	RATA1720SS4T	Wire Harness Clamp	Normally Stocked
7931-3E2360-4	RA2460-4HD	Wire Harness	Normally Stocked
7931-3E2360-4	RA2460-4HD	Wire Harness	Normally Stocked
82-00067	RA03-002	Shear Shaft/ Coupler	Normally Stocked
82-06768	RA-Shear Coupler Kit	Shear Coupler Service Kit	Normally Stocked
82-501222A6TK	RA- Vac Measure Kit	Dry Air Pump Inspection Kit	Normally Stocked
8398136-05-0H	RA-D-9-14-5	Inlet Air Filter Element	Normally Stocked
92-301-126	RA2J4-6	Inline Air Filter	Normally Stocked
92-301-127	RA2J4-7	Inline Air Filter	Normally Stocked
92-410-795	RAP215CC	Dry Air Pump	Normally Stocked
92-410-908	RAP216CW	Dry Air Pump	Normally Stocked
92-410-911	RAP215CC	Dry Air Pump	Normally Stocked
92-411-500	RAP242CW	Dry Air Pump	Normally Stocked
92-414-844	RAP242CW	Dry Air Pump	Normally Stocked
92-414-845	RAP242CW-4	Dry Air Pump	Normally Stocked
92-428-121	RAP441CC-9	Dry Air Pump	Normally Stocked
92-428-122	RAP442CW	Dry Air Pump	Normally Stocked
92-428-126	RAP441CC	Dry Air Pump	Normally Stocked
92-428-127	RAP442CW	Dry Air Pump	Normally Stocked
92-428-128	RAP442CW-12	Dry Air Pump	Normally Stocked
92-428-129	RAP442CW-4	Dry Air Pump	Normally Stocked
92-428-131	RAP441CC-9	Dry Air Pump	Normally Stocked
92-428-132	RAP442CW-14	Dry Air Pump	Normally Stocked
9910202-1	2B7-29	Fuel Pump - Overhauled Exchange	4 day
9910202-2	2B7-29	Fuel Pump - Overhauled Exchange	4 day
9910202-3	2B7-29	Fuel Pump - Overhauled Exchange	4 day
9910202-4	2B7-29	Fuel Pump - Overhauled Exchange	4 day
9910288-8	1C12-17	Fuel Pump - Customer Property Overhaul	4 day
9912017-1	1C7-3	Fuel Pump - Overhauled Exchange	4 day
9912017-3	1C7-12	Fuel Pump - Overhauled Exchange	4 day
9912017-4	1C7-13	Fuel Pump - Overhauled Exchange	4 day
AA1J4-4	RA2J4-4	Inline Air Filter	Normally Stocked
AA1J4-6	RA2J4-6	Inline Air Filter	Normally Stocked
AA1J4-7	RA2J4-7	Inline Air Filter	Normally Stocked
AA1K10-4-6	RA1K10-4-6	Pneumatic Instrument Fitting	Normally Stocked
AA1K10-6-10	RA1K10-6-10	Pneumatic Pump Fitting	Normally Stocked
AA1K1-4-6	RA1K1-4-6	Pneumatic Instrument Fitting	Normally Stocked
AA1K1-6-10	RA1K1-6-10	Pneumatic Pump Fitting	Normally Stocked
AA1K31-4-6-4	RA1K31-4-6-4	Pneumatic Instrument Fitting	Normally Stocked
AA1K8-6-10	RA1K8-6-10	Pneumatic Pump Fitting	Normally Stocked
AA211CC	RAP215CC	Dry Air Pump	Normally Stocked
AA211CC-9	RAP215CC-9	Dry Air Pump	Normally Stocked
AA212CW	RAP216CW	Dry Air Pump	Normally Stocked
AA215CC	RAP215CC	Dry Air Pump	Normally Stocked
AA215CC-9	RAP215CC-9	Dry Air Pump	Normally Stocked
AA216CW	RAP216CW	Dry Air Pump	Normally Stocked
AA241CC	RAP241CC	Dry Air Pump	Normally Stocked
AA241CC-13	RAP241CC-13	Dry Air Pump	Normally Stocked
AA241CC-15	RAP241CC-15	Dry Air Pump	Normally Stocked
AA242CW	RAP242CW	Dry Air Pump	Normally Stocked
AA242CW-10	RAP242CW-10	Dry Air Pump	Normally Stocked
AA242CW-4	RAP242CW-4	Dry Air Pump	Normally Stocked
AA2H3-12	RA2H3-12	Pneumatic Vacuum Regulator	Normally Stocked
AA2H3-2	RA2H3-2	Pneumatic Vacuum Regulator	Normally Stocked
AA2H3-23	RA2H3-23	Pneumatic Vacuum Regulator	Normally Stocked
AA2H3-48	RA2H3-48	Pneumatic Vacuum Regulator	Normally Stocked
AA2H3-5	RA2H3-5	Pneumatic Vacuum Regulator	Normally Stocked
AA2H3-6	RA2H3-6	Pneumatic Vacuum Regulator	Normally Stocked
AA2J4-4	RA2J4-4	Inline Air Filter	Normally Stocked
AA2J4-6	RA2J4-6	Inline Air Filter	Normally Stocked
AA2J4-7	RA2J4-7	Inline Air Filter	Normally Stocked
AA3215CC	RAP215CC	Dry Air Pump	Normally Stocked



Master Parts Cross Reference

Original Part Number	RAPCO Part Number	Description	Availability
AA3215CC	RAP215CC	Dry Air Pump	Normally Stocked
AA3215CC-9	RAP215CC-9	Dry Air Pump	Normally Stocked
AA3215CCHK	RAVAC-K1	Vacuum System Kit w/215CC	Normally Stocked
AA3216CW	RAP216CW	Dry Air Pump	Normally Stocked
AA3225CC-9	RAP215CC-9	Dry Air Pump	Normally Stocked
AA3226CW	RAP216CW	Dry Air Pump	Normally Stocked
AA441CC-3	RAP441CC-3	Dry Air Pump	Normally Stocked
AA441CC-7	RAP441CC-7	Dry Air Pump	Normally Stocked
AA441CC-9	RAP441CC-9	Dry Air Pump	Normally Stocked
AA442CW	RAP442CW	Dry Air Pump	Normally Stocked
AA442CW-12	RAP442CW-12	Dry Air Pump	Normally Stocked
AA442CW-14	RAP442CW-14	Dry Air Pump	Normally Stocked
AA442CW-20	RAP442CW-20	Dry Air Pump	Normally Stocked
AA442CW-4	RAP442CW-4	Dry Air Pump	Normally Stocked
AA442CW-6	RAP442CW-6	Dry Air Pump	Normally Stocked
AA442CW-8	RAP442CW-8	Dry Air Pump	Normally Stocked
AA716	RA716	Wrench 7/16 - Dry Air Pump	Normally Stocked
AAB3-5-1	RA-B3-5-1	Garter Filter Element	Normally Stocked
AAD9-14-3	RA-D9-14-3	Inlet Air Filter Element	Normally Stocked
AAD9-14-5	RA-D-9-14-5	Inlet Air Filter Element	Normally Stocked
AAD9-18-1	RA-D9-18-1	Inlet Air Filter Element	Normally Stocked
AC510007B	1C12-34	Fuel Pump - Customer Property Overhaul	4 day
AC520251	2C27-2	Fuel Pump Cartridge - Customer Property Overhaul	4 day
AMST7283	MS9144-01	Propeller Governor Gasket	Normally Stocked
AS3491-01	AS3491-01	Dry Air Pump Gasket	Normally Stocked
B-1104	MS9144-01	Propeller Governor Gasket	Normally Stocked
B-20024	MS9144-01	Propeller Governor Gasket	Normally Stocked
B-30026	RA066-30026	Brake Lining	Normally Stocked
B3005A1	RA-B3-5-1	Garter Filter Element	Normally Stocked
B-30195	RA164-30195	Brake Disc	Normally Stocked
B-30440	RA164-30440	Brake Disc	Normally Stocked
B3-5-1	RA-B3-5-1	Garter Filter Element	Normally Stocked
B-40012	RAB40012	Brush and Holder Assy.	Normally Stocked
B-40046	RAB40046	Brush and Holder Assy.	Normally Stocked
B-40183-05	RA2252-2	Propeller De-icer	Normally Stocked
B-40183-06	RA2252-4	Propeller De-icer	Normally Stocked
B-40189	RAB40189	Brush and Holder Assy.	Normally Stocked
B-40193	RAB40193	Brush and Holder Assy.	Normally Stocked
B-40276	RA-C165013-0602	Wire Harness	Normally Stocked
B-40330	RA40330	Wire Harness	Normally Stocked
B-40332	RAB40332	Brush and Holder Assy.	Normally Stocked
B-40387	RA40387	Wire Harness	Normally Stocked
B-40387	RA40387	Wire Harness	Normally Stocked
B-40531	RA40531	Wire Harness	Normally Stocked
B-40585	RA40585	Wire Harness	Normally Stocked
B-5051	RA-C165013-0604	Wire Harness	Normally Stocked
C11BC0031	1C44-1	Fuel Pump Cartridge - Customer Property Overhaul	4 day
C11BC0031	1C44-2	Fuel Pump Cartridge - Customer Property Overhaul	4 day
C165013-0601	RA2056-4	Propeller De-icer	Normally Stocked
C165013-0602	RA-C165013-0602	Wire Harness	Normally Stocked
C165013-0604	RA-C165013-0604	Wire Harness	Normally Stocked
C294501-0103	RA-D-9-14-5	Inlet Air Filter Element	Normally Stocked
C294502-0101	RA1J10-1	Central Air Filter Assembly	Normally Stocked
C294502-0201	RA-D9-18-1	Inlet Air Filter Element	Normally Stocked
C-30388	RA164-30388	Brake Disc	Normally Stocked
C-30398	RA164-30398	Brake Disc	Normally Stocked
C-30414	RA164-30414	Brake Disc	Normally Stocked
C-30615-1	RA164-30615-1	Brake Disc	Normally Stocked
C-30615-2	RA164-30615-2	Brake Disc	Normally Stocked
C-30615-3	RA164-30615-3	Brake Disc	Normally Stocked
C-30615-4	RA164-30615-1	Brake Disc	Normally Stocked
C-40256-1	RAC40256-1	Brush and Holder Assy.	Normally Stocked
C-40256-2	RAC40256-2	Brush and Holder Assy.	Normally Stocked
C-40371-1	RAC40371-1	Brush and Holder Assy.	Normally Stocked
C-40371-2	RAC40371-2	Brush and Holder Assy.	Normally Stocked
C-40464-1	RAC-40464-1	Brush and Holder Assy.	Normally Stocked
C-40464-2	RAC-40464-2	Brush and Holder Assy.	Normally Stocked
C-40522-1	RAC-40522-1	Brush and Holder Assy.	Normally Stocked
C-40522-1	RAC-40522-1	Brush and Holder Assy.	Normally Stocked



Master Parts Cross Reference

Original Part Number	RAPCO Part Number	Description	Availability
C431002-0101	RAP215CC	Dry Air Pump	Normally Stocked
C431002-0102	RAP215CC-9	Dry Air Pump	Normally Stocked
C431002-0103	RAP216CW	Dry Air Pump	Normally Stocked
C431003-0102	RAP216CW	Dry Air Pump	Normally Stocked
C431003-0103	RAP215CC-9	Dry Air Pump	Normally Stocked
C431004-0101	RAP215CC	Dry Air Pump	Normally Stocked
C431004-0101	RAP441CC	Dry Air Pump	Normally Stocked
C431004-0102	RAP442CW-8	Dry Air Pump	Normally Stocked
C431004-012	RAP442CW-8	Dry Air Pump	Normally Stocked
C431004-0201	RAP215CC	Dry Air Pump	Normally Stocked
C431004-0202	RAP216CW	Dry Air Pump	Normally Stocked
C482001-0101	RA2H3-2	Pneumatic Vacuum Regulator	Normally Stocked
C482001-0202	RA-B3-5-1	Garter Filter Element	Normally Stocked
C482001-0401	RA2H3-12	Pneumatic Vacuum Regulator	Normally Stocked
C6SC1005-5	1D2-17	Fuel Pump - Overhauled Exchange	4 day
C6SC1005-5	RA1D2-17	Fuel Pump - New Exchange	Normally Stocked
D-6206-1	RA2171-2	Wire Harness	Normally Stocked
D9-14-3	RA-D9-14-3	Inlet Air Filter Element	Normally Stocked
D9-14-5	RA-D-9-14-5	Inlet Air Filter Element	Normally Stocked
D9-18-1	RA-D9-18-1	Inlet Air Filter Element	Normally Stocked
E211CC	RAP215CC	Dry Air Pump	Normally Stocked
E212CW	RAP216CW	Dry Air Pump	Normally Stocked
J-158444	RA2J4-4	Inline Air Filter	Normally Stocked
J470177	RAP442CW	Dry Air Pump	Normally Stocked
J470200	RAP441CC	Dry Air Pump	Normally Stocked
J47023	1C6-10	Fuel Pump - Overhauled Exchange	4 day
J470280C	RAP215CC	Dry Air Pump	Normally Stocked
J470281	RAP216CW	Dry Air Pump	Normally Stocked
J518317	RA-D9-18-1	Inlet Air Filter Element	Normally Stocked
LW15486	RALW15486	Exhaust Gasket	Normally Stocked
LW15619	RALW15619	Exhaust Gasket	Normally Stocked
MS100009	MS9144-01	Propeller Governor Gasket	Normally Stocked
MS9134-01	AS3491-01	Dry Air Pump Gasket	Normally Stocked
MS9144	MS9144-01	Propeller Governor Gasket	Normally Stocked
MS914401	MS9144-01	Propeller Governor Gasket	Normally Stocked
RA1543-4	RA1543-5	De-ice Brush	Normally Stocked
RA1543-6	RA1543-7	De-ice Brush	Normally Stocked
RA1J4-4	RA2J4-4	Inline Air Filter	Normally Stocked
RA1J4-6	RA2J4-6	Inline Air Filter	Normally Stocked
RA1J4-7	RA2J4-7	Inline Air Filter	Normally Stocked
RA215CC	RAP215CC	Dry Air Pump	Normally Stocked
RA215CC-9	RAP215CC-9	Dry Air Pump	Normally Stocked
RA216CW	RAP216CW	Dry Air Pump	Normally Stocked
RA241CC	RAP241CC	Dry Air Pump	Normally Stocked
RA241CC-13	RAP241CC-13	Dry Air Pump	Normally Stocked
RA241CC-15	RAP241CC-15	Dry Air Pump	Normally Stocked
RA2426-1	RA2426-2	De-ice Brush Kit	Normally Stocked
RA242CW	RAP242CW	Dry Air Pump	Normally Stocked
RA242CW-10	RAP242CW-10	Dry Air Pump	Normally Stocked
RA242CW-4	RAP242CW-4	Dry Air Pump	Normally Stocked
RA441CC	RAP441CC	Dry Air Pump	Normally Stocked
RA441CC-17	RAP441CC-17	Dry Air Pump	Normally Stocked
RA441CC-23	RAP441CC-23	Dry Air Pump	Normally Stocked
RA441CC-3	RAP441CC-3	Dry Air Pump	Normally Stocked
RA441CC-7	RAP441CC-7	Dry Air Pump	Normally Stocked
RA441CC-9	RAP441CC-9	Dry Air Pump	Normally Stocked
RA442CW	RAP442CW	Dry Air Pump	Normally Stocked
RA442CW-12	RAP442CW-12	Dry Air Pump	Normally Stocked
RA442CW-14	RAP442CW-14	Dry Air Pump	Normally Stocked
RA442CW-20	RAP442CW-20	Dry Air Pump	Normally Stocked
RA442CW-4	RAP442CW-4	Dry Air Pump	Normally Stocked
RA442CW-6	RAP442CW-6	Dry Air Pump	Normally Stocked
RA442CW-8	RAP442CW-8	Dry Air Pump	Normally Stocked
RA66-105	RA066-10500	Brake Lining	Normally Stocked
RA66-105M	RA066-06200	Brake Lining	Normally Stocked
RA66-106	RA066-10600	Brake Lining	Normally Stocked
RA66-108	RA066-10800	Brake Lining	Normally Stocked
RA66-109	RA066-30026	Brake Lining	Normally Stocked
RA66-111	RA066-11100	Brake Lining	Normally Stocked



Master Parts Cross Reference

Original Part Number	RAPCO Part Number	Description	Availability
RA66-15	RA066-06500	Brake Lining	Normally Stocked
RA66-19	RA066-06200	Brake Lining	Normally Stocked
RA66-22	RA066-02200	Brake Lining	Normally Stocked
RA66-33	RA066-03300	Brake Lining	Normally Stocked
RA66-44	RA066-04400	Brake Lining	Normally Stocked
RA66-62	RA066-06200	Brake Lining	Normally Stocked
RA66-65	RA066-06500	Brake Lining	Normally Stocked
RA66-66	RA066-06600	Brake Lining	Normally Stocked
RA66-68	RA066-06800	Brake Lining	Normally Stocked
RA825AP	RA825AP	Anvil & Punch Replacement	Normally Stocked
RABP001	RA177-00300	Mounting Pin	Normally Stocked
RG17020	3B7-4	Fuel Pump - Customer Property Overhaul	4 day
SA627429	RA627429	Exhaust Gasket	Normally Stocked
SA630365	RA630365	Exhaust Gasket	Normally Stocked
SA631544	RA631544	Exhaust Gasket	Normally Stocked
SA632837	RA632837	Exhaust Gasket	Normally Stocked
SA636465	RA636465	Turbocharger Wastegate Gasket	Normally Stocked
SL15486	RALW15486	Exhaust Gasket	Normally Stocked
SL15619	RALW15619	Exhaust Gasket	Normally Stocked
SL77611	RA77611	Exhaust Gasket	Normally Stocked
TA1720CSS4T	RATA1720SS4T	Wire Harness Clamp	Normally Stocked

71921

RAPCO, inc.

REPLACEMENT AIRCRAFT PARTS CO.



Rapco, Inc.
445 Cardinal Lane
Hartland, WI 53029
262.367.2292 phone
262.367.7158 fax
www.rapcoinc.com